

# Shift register programmable RGB Lamp

## Feature

- Power supply: DC4.5V~6V
- Integrate RGB LEDs with Control IC at same body
- Support 256 dimming level for each color
- Internal frequency up to 800K Hz
- Single wire signal transmission(clock and Data)
- To be controlled by external MCU to achieve target image
- Available on  $\phi$  5mm,  $\phi$  8 mm
- No external component required

## Package Type

1.DIN  
2.VDD  
3.GND  
4.DOUT



APA-106-F8

1.DIN  
2.VDD  
3.GND  
4.DOUT

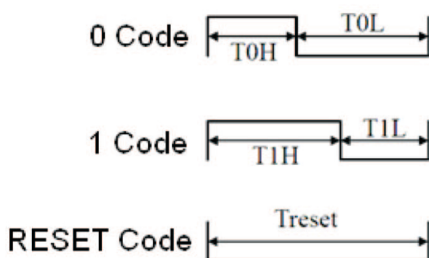


APA-106-F5

## Package selection

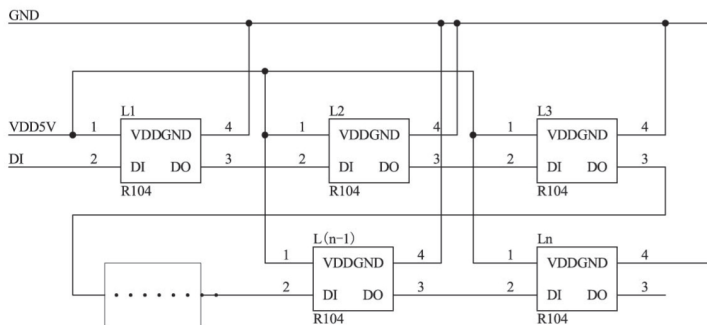
PART No.	Package
APA-106-F8	$\phi$ 8
APA-106-F5	$\phi$ 5

## Timing waveform



Name	Description	Typically	Allowable error
T0H	0 code, high level time	0.35 $\mu$ s	$\pm$ 150ns
T1H	1 code, high level time	1.36 $\mu$ s	$\pm$ 150ns
T0L	0 code, low level time	1.36 $\mu$ s	$\pm$ 150ns
T1L	1 code, low level time	0.35 $\mu$ s	$\pm$ 150ns
RES	RESET code	50us	

## Application Note



LED screen

## Typical Application



Spot light for advertsing



Flexible LED string