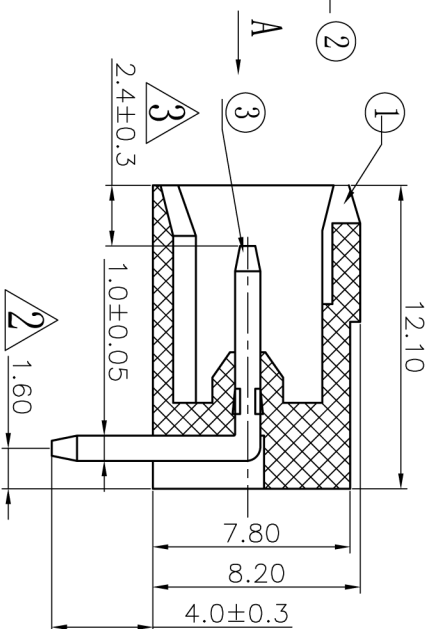
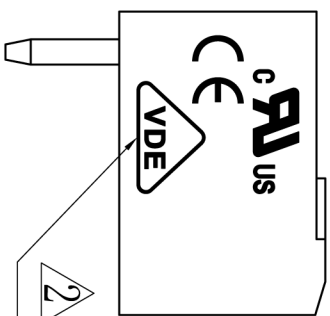
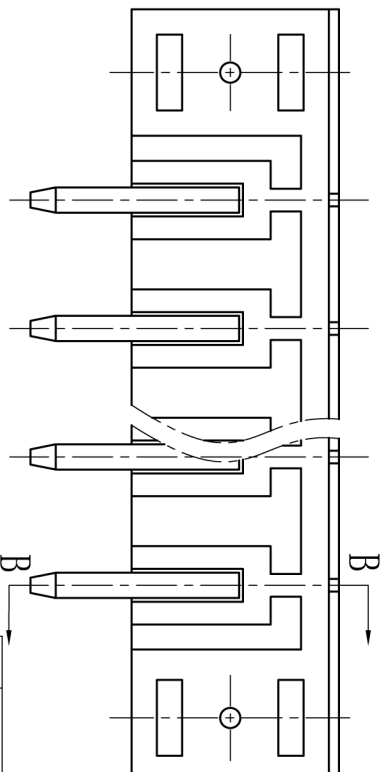
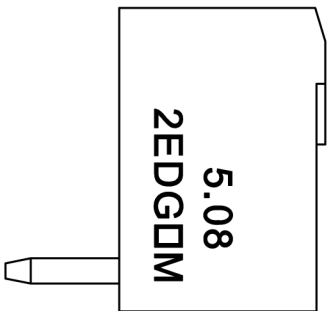


VIEW A



SECTION B-B



Notes:

1. Pitch: 5.08mm, Poles: 2-22P
2. Rated voltage/current: UL 300V/15A  
VDE 320V/20A
3. Operation temperatures: -40°C~+105°C
4. Withstanding Voltage: AC2000V/1min
5. Insulation Resistance: 5000MΩ/DC1000V
6. Undimensioned Tolerances:

Pitch range in mm	Nominal dimension range in mm
6 over to 10	30 over to 60
10 over to 24	60 over to 100
	100 over to 150
±0.10	±0.15
	±0.25
	±0.2±0.3
	±0.5±0.7
	±1.0,0.05/10

ITEM	NAME OF PART	NO. OF PART	Q'TY	MATERIAL	NOTES
3	2EDGR (A) Pin header (1*8, 25*8, 7)	1008800040 (H)	XX	Brass	SnCe
2	2EDGK Screw Cap	S000000040 (H)	2	Brass	
1	2EDGRM-5.08-Housing	1012A01XXA (H)	1	PA66	UL94V-0

DATE	DATE	DATE	DATE
10/17/05*			

DETACHED LISTS	THIRD ANGLE PROJECTION	SCALE	SHEET
ANGLES ± 1°	FINISH:	1:1	1 OF 1
0 ± .000			
MM			
TOLERANCES EXCEPT AS NOTED			
DRG			
APPL			
DATE			
NAME			
2EDGRM-5.08-XXP-1Y-00A(H)			
DRAWING NO. 2EDGRM-5.08-E03			
/PART NO.			
SIZE			
A3			
REV			
13			
10/07/0*			