

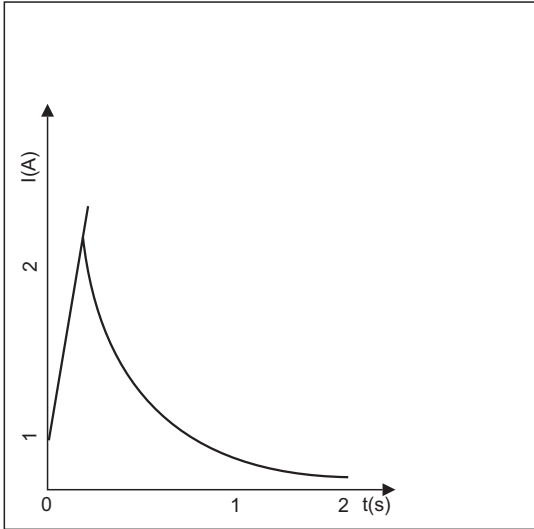
PTC熱敏電阻器 PTC THERMISTOR

■ PTC熱敏電阻器 PTC THERMISTOR

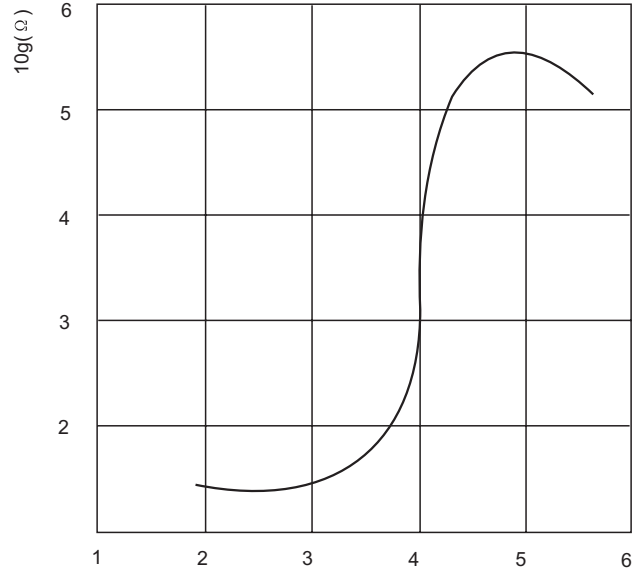
● 特性 FEATURES

- * a系數高 High ageing coefficient
- * 耐電壓強度及抗氧化性高 Superior withstanding voltage oxidation-resistance.

● 特性曲綫 CHARACTERISTICS



電流—時間曲綫
Current-Time Curve



電阻—溫度曲綫
Resistance-Temperature Curve.

● 訂貨方式 HOW TO ORDER

MZ	2	1	L	201	R																																		
熱敏電阻器 PTC Thermistor	產品類型 Product style	產品類型 順序號 Sequence No.	開關溫度(可缺省) switch Temperature	阻值(Ω) Resistance Value	歐姆 OHM																																		
	<table border="1"> <tr><td>7</td><td>消磁類 Degaussing</td></tr> <tr><td>9</td><td>啓動類 Starter</td></tr> <tr><td>2</td><td>限流類 Current-Limited</td></tr> <tr><td>3</td><td>延時起動 Delay-Time</td></tr> <tr><td>4</td><td>自控加熱 Auto-Control-heat</td></tr> </table>	7	消磁類 Degaussing	9	啓動類 Starter	2	限流類 Current-Limited	3	延時起動 Delay-Time	4	自控加熱 Auto-Control-heat	<table border="1"> <tr><td>MZ7</td><td>數字代表腳數 The number expresses No. of pin</td></tr> <tr><td>MZ2, MZ9</td><td>1.包封型 Coating type 2.塑膠套型 Plastic type 3.光片型 Empty body</td></tr> <tr><td>MZ3</td><td>無標記 No mark</td></tr> <tr><td>MZ4</td><td>1.圓片型 Round 2.長方型 Queue</td></tr> </table>	MZ7	數字代表腳數 The number expresses No. of pin	MZ2, MZ9	1.包封型 Coating type 2.塑膠套型 Plastic type 3.光片型 Empty body	MZ3	無標記 No mark	MZ4	1.圓片型 Round 2.長方型 Queue	<table border="1"> <tr><td>L</td><td>50°C</td></tr> <tr><td>K</td><td>70°C</td></tr> <tr><td>M</td><td>80°C</td></tr> <tr><td>N</td><td>100°C</td></tr> <tr><td>P</td><td>120°C</td></tr> <tr><td>R</td><td>135°C</td></tr> <tr><td>X</td><td>160°C</td></tr> </table>	L	50°C	K	70°C	M	80°C	N	100°C	P	120°C	R	135°C	X	160°C	<table border="1"> <tr><td>201</td><td>$20 = 20 \times 10^1$ 8R0=8.0</td></tr> </table>	201	$20 = 20 \times 10^1$ 8R0=8.0	
7	消磁類 Degaussing																																						
9	啓動類 Starter																																						
2	限流類 Current-Limited																																						
3	延時起動 Delay-Time																																						
4	自控加熱 Auto-Control-heat																																						
MZ7	數字代表腳數 The number expresses No. of pin																																						
MZ2, MZ9	1.包封型 Coating type 2.塑膠套型 Plastic type 3.光片型 Empty body																																						
MZ3	無標記 No mark																																						
MZ4	1.圓片型 Round 2.長方型 Queue																																						
L	50°C																																						
K	70°C																																						
M	80°C																																						
N	100°C																																						
P	120°C																																						
R	135°C																																						
X	160°C																																						
201	$20 = 20 \times 10^1$ 8R0=8.0																																						
M	G																																						
誤差 Tolerance	外形 Size																																						
<table border="1"> <tr><td>K</td><td>±10%</td></tr> <tr><td>M</td><td>±20%</td></tr> <tr><td>N</td><td>±30%</td></tr> </table>	K	±10%	M	±20%	N	±30%	<table border="1"> <tr><td>C</td><td>Φ3</td></tr> <tr><td>D</td><td>Φ4</td></tr> <tr><td>E</td><td>Φ5</td></tr> <tr><td>G</td><td>Φ7</td></tr> <tr><td>...</td><td>...</td></tr> </table>	C	Φ3	D	Φ4	E	Φ5	G	Φ7																						
K	±10%																																						
M	±20%																																						
N	±30%																																						
C	Φ3																																						
D	Φ4																																						
E	Φ5																																						
G	Φ7																																						
...	...																																						

MZ7 型熱敏電阻器 MZ7 TYPE THERMISTOR

■ MZ7型消磁電路用熱敏電阻器 MZ7 TYPE THERMISTOR

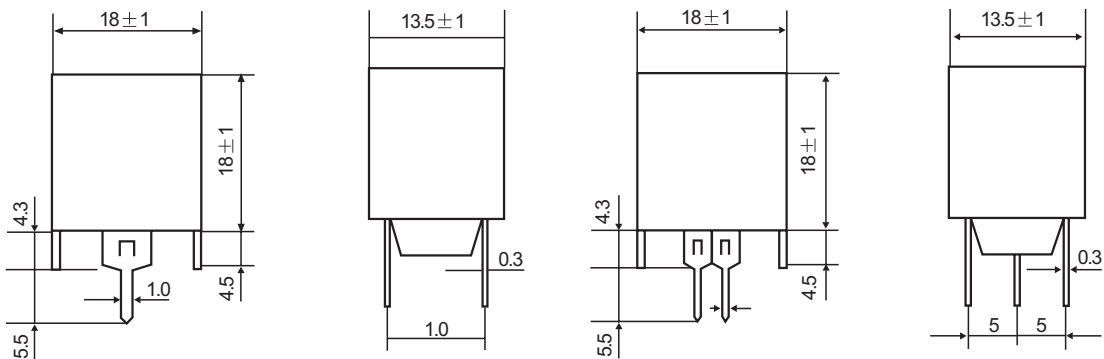
● 特性 FEATURES

- * 彩色電視機和彩色顯示器作自動消磁元件
 - * 交流電路中的限流元件
- Superior degaussing component of colour TV set and monitor
Current-Limited unite in AC circuit.

● 使用環境條件 APPLICATION ENVIROMENTAL CONDITIONS

- * 環境溫度: $-10^{\circ}\text{C} - +85^{\circ}\text{C}$ Environmental temperature: $-10^{\circ}\text{C} - +85^{\circ}\text{C}$
- * 相對濕度: $93 \pm 2\% (+40^{\circ}\text{C} \pm 2^{\circ}\text{C})$ Relative humidity: $93 \pm 2\% (+40^{\circ}\text{C} \pm 2^{\circ}\text{C})$
- * 振動: $10-55\text{Hz}$ Vibration frequency: $10-55\text{Hz}$
- * 加速度: 98m/s^2 Acceleration: 98m/s^2

● 外形尺寸 DIMENSIONS



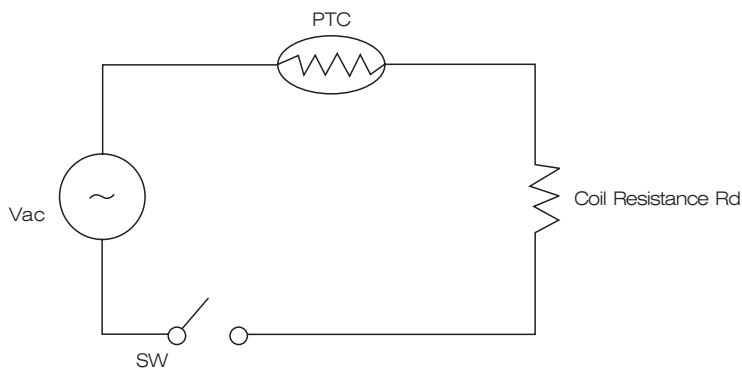
● 主要技術參數 MAIN TECHNICAL PARAMETER

型號 Part No.	標稱電阻 Resistance Value	工作電壓 Working Voltage	最大電壓 Max Valtage	電流衰减特性(25℃) Current Attenuation Characteristic		
				I_0 P-P(A)	I_1 P-P(mA)3'	I_2 rms(mA)60'
MZ72-7RM	$7 \pm 20\%$	220	270	≥ 20	≤ 300	≤ 10
MZ72-9RM	$9 \pm 20\%$	220	270	≥ 20	≤ 300	≤ 10
MZ72-12RM	$12 \pm 20\%$	220	270	≥ 18	≤ 300	≤ 10
MZ72-14RM	$14 \pm 20\%$	220	270	≥ 18	≤ 300	≤ 10
MZ72-18RM	$18 \pm 20\%$	220	270	≥ 18	≤ 300	≤ 8
MZ72-20RM	$20 \pm 20\%$	220	270	≥ 18	≤ 300	≤ 8
MZ73-7RM	$7 \pm 20\%$	220	270	≥ 20	≤ 300	≤ 7
MZ73-9RM	$9 \pm 20\%$	220	270	≥ 20	≤ 300	≤ 7
MZ73-12RM	$12 \pm 20\%$	220	270	≥ 18	≤ 300	≤ 6
MZ73-14RM	$14 \pm 20\%$	220	270	≥ 18	≤ 300	≤ 4
MZ73-18RM	$18 \pm 20\%$	220	270	≥ 18	≤ 300	≤ 3
MZ73-27RM	$27 \pm 20\%$	220	270	≥ 18	≤ 300	≤ 3
MZ73-36RM	$36 \pm 20\%$	220	270	≥ 18	≤ 300	≤ 3

• 應用電路 APPLICATION CIRCUIT

這是最常用的消磁電路，如果要求殘余電流為零，通常要求消磁電路裝有開關，在要求消磁時接通，平時中斷。

This is a basic degaussing circuit, if residual current's requested zero, this circuit usually a switch. When necessary the switch is turned off.



電流—時間特性(動態特性)

Current-Time Characteristic(Dynamic Characteristic)

旁路電阻(1)加熱電阻(2)使(2)的阻值增加，殘余電流減小，通常這種電路與電源開關直接相連，打開電源，即自動完成消磁工作。

Heating element (1) causes the resistance value of Element (2) to increase and make the stable current extremely small, Thus in many case. The circuit is designed to be linked to the power switch so that degaussing is performed automatically when the power is turned on.

當一高電壓加在消磁電阻上時，瞬時產生大的衝擊電流，同時熱敏電阻本身溫度迅速升高，阻值增加，電流迅速減小，起到消磁作用。

When excessing power is applied to the themistor, a large current flow momeanarily, then the self-heating feature of the themistor causes the resistance value to increase and the current value to decrease. Thus, the themistor controls degaussing function ideally.

