

Automotive Relay Series 汽车继电器系列--QY302

FEATURES 特点

- Up to 40A contact switching capability  
高达40A触点切换能力
- 2 Form A and 1 Form C configurations  
具有两组常开、一组转换触点形式
- Low consumption and high availability  
低功耗高性能
- Outline dimensions (28.0X28.0X25.0) mm.  
外形尺寸 (28.0X28.0X25.0) mm。



CONTACT PARAMETERS 触点参数

Model Series 型号系列	QY302
Rating Load (Resistive) 额定负载 (阻性)	40A 14VDC
Max. Switching Current 最大切换电流	40A
Max. Switching Voltage 最大切换电压	14VDC
Max. Switching Power 最大切换功率	560W

CHARACTERISTICS 性能参数

Contact Materials 触点材料	Ag Alloy 银合金	
Contact Resistance 接触电阻	50mΩ Max.	
Operate Time 吸合时间	10msec. Max.	
Release Time 释放时间	5msec. Max.	
Insulation Resistance 绝缘电阻	100MΩ Min. (DC500V)	
Initial Dielectric Strength 介质耐压	Between open contacts: 触点与触点间:	AC500V, 50/60Hz 1Min.
	Between contacts and coil: 触点与线圈间:	AC500V, 50/60Hz 1Min.
Vibration Resistance 抗振动	Damage limits: 耐久:	10~55Hz Double Amplitude 双振幅 1.5mm
	Malfunction: 误动作:	10~55Hz Double Amplitude 双振幅 1.5mm
Shock Resistance 抗冲击	Damage limits: 耐久:	100G Min.
	Malfunction: 误动作:	20G Min.
Life 寿命	Mechanical Life (10800 per hour) 机械寿命 (每小时10800次)	1 × 10 <sup>7</sup>
	Electrical Life (600 per hour) 电气寿命 (每小时600次)	1 × 10 <sup>5</sup>
Ambient Temperature 环境温度	-40°C ~ +125°C (No condensation) (不冷凝)	
Unit Weight 单位重量	约 Approx 33.1g	

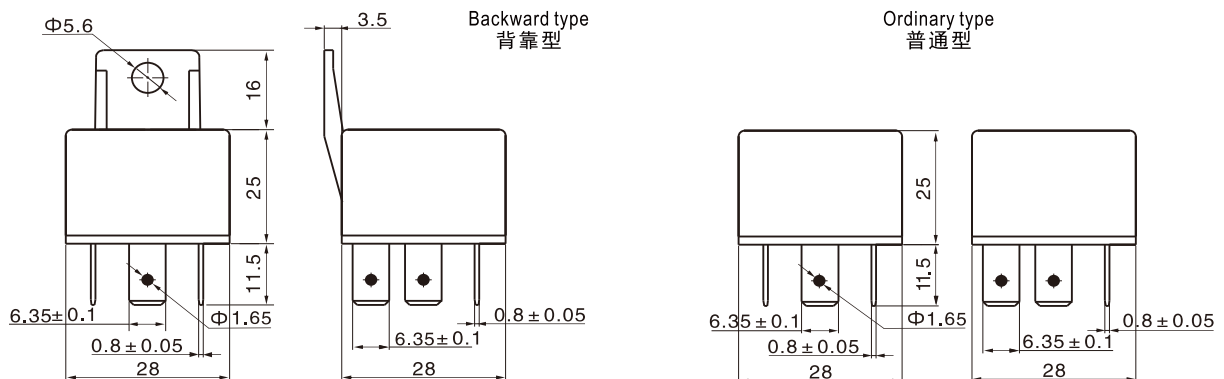
COIL RATINGS (at20°C) 线圈参数 (在20°C)

Coil Nominal Voltage 额定电压 (VDC)	Nominal Current 额定电流 ±10%(mA)	Coil Resistance 线圈电阻 ±10% (Ω)	Max. Continuous Voltage 最大连续外加电压	Pick-Up Voltage 吸合电压 (Max)	Drop-Out Voltage 释放电压 (Min)	Rated power 额定功率
5	360.00	14	Coil Nominal Voltage 150% 额定电压的150%	Coil Nominal Voltage 70% 额定电压的70%	Coil Nominal Voltage 10% 额定电压的10%	1.8W
6	300.00	20				
9	200.00	45				
12	150.00	80				
18	100.00	180				
24	75.00	320				
12	167.83	80				2.0W
24	83.92	320				

ORDERING INFORMATION 订货标记

QY302-012-H-P-F-R 1 2 3 4 5 6	
1. Model Number 基本型号: QY302	4. Coil Power: Nil - 1.8W, P-2.0W 线圈功率: 无-1.8W, P-2.0W
2. Coil Voltage 线圈规格 (VDC): 05, 06, 09, 12, 18, 24	5. Cover form: Nil - Without Bracket, F- With Bracket 外壳形式: 无-普通型, F-外壳带背靠型
3. Contact Form: H-1 Form A, D-1 Form B, Z-1 Form C, 2H-2 Form A 触点形式: H-1组常开, D-1组常闭 Z-1组转换, 2H-2组常开	6. Accessory: Nil - Standard Type, R-With Resistor, D-With diode 配件形式: 无-普通型, R-带电阻, D-带二极管

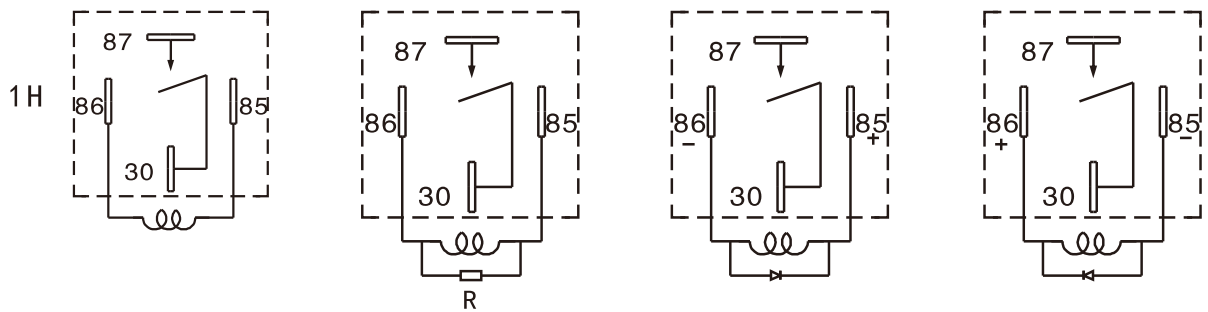
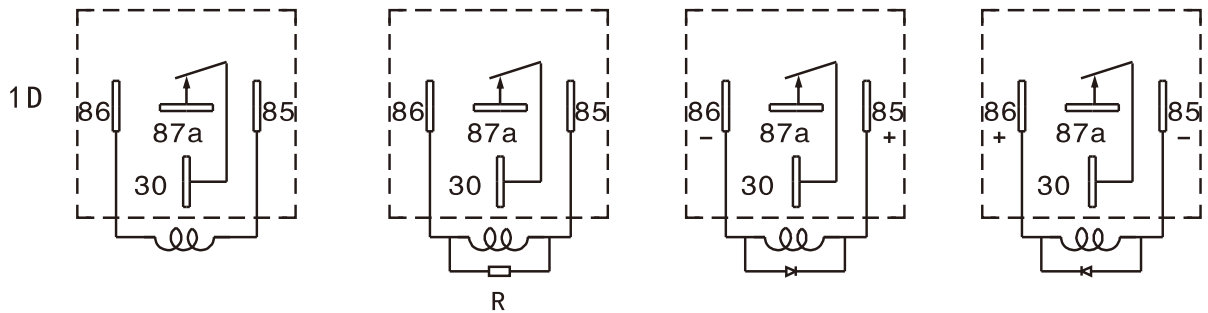
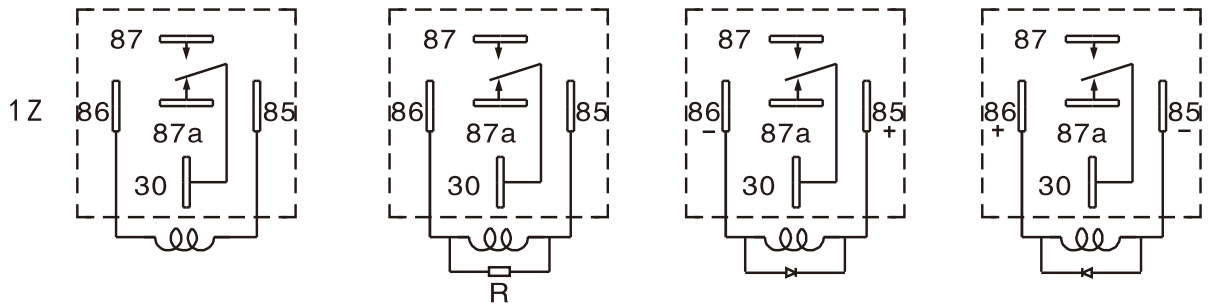
OUTLINE DIMENSIONS (UNIT:mm) 外形尺寸 (单位: mm)



Undimensioned tolerance: <1mm: ±0.2mm 1~5mm: ±0.3mm >5mm: ±0.4mm  
未标注尺寸公差: <1mm: ±0.2mm 1~5mm: ±0.3mm >5mm: ±0.4mm

Note: 1. The size of the lead foot is pre welding dimension. 注: 1、引出脚尺寸为预焊前尺寸  
2. installation hole size tolerance: + 0.1mm 2、安装孔尺寸公差: ±0.1mm

1P-Wiring diagram (bottom view)  
1P-接线图 (底视图)



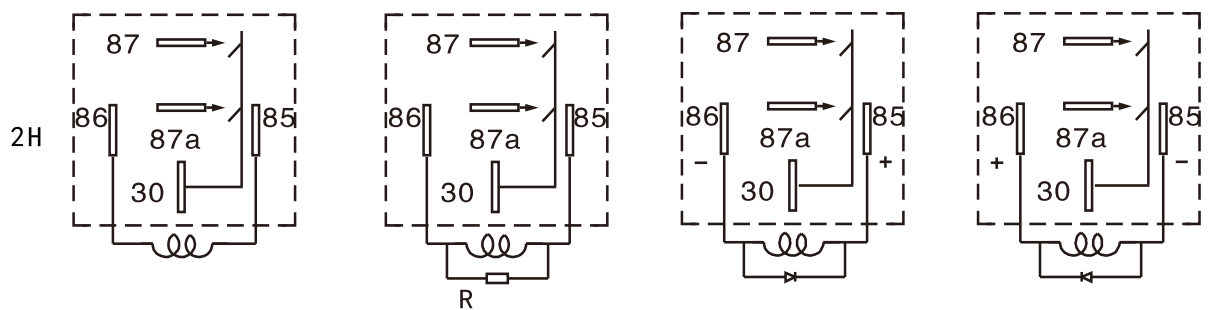
Ordinary type  
普通型

With the resistance type  
带电阻型

With diode type(D type)  
带二极管型 (D型)

With diode type(DC type)  
带二极管型 (DC型)

2P-Wiring diagram (bottom view)  
2P-接线图 (底视图)

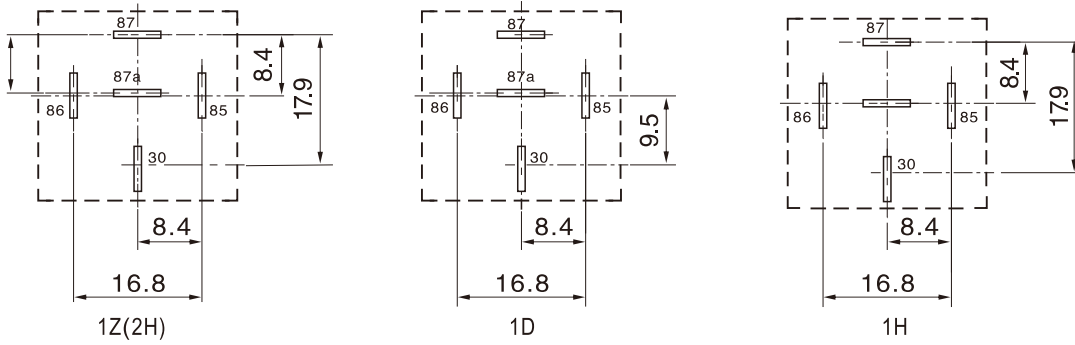


Ordinary type  
普通型

With the resistance type  
带电阻型

With diode type(D type)  
带二极管型 (D型)

With diode type(DC type)  
带二极管型 (DC型)



Mounting hole size (bottom view)  
安装孔尺寸 (底视图)

TYPICAL USE 典型用途

- Rear window mist eliminator, Battery breaker, Automobile air conditioner, Oil and mercury control, Cooling fan control, Fog lamp, Headlamp control, Seat adjustment
- 后窗除雾器, 电池断路装置, 汽车空调, 油汞控制, 冷却风扇控制, 雾灯、大灯控制, 座椅调节

PERFORMANCE CHART 性能曲线图

