

Power Relay Series 功率继电器系列--QY49F

FEATURES特点

- 5A contact switching capability
5A触点切换能力
- 3kV dielectric strength (between coil and contacts)
线圈与触点间介质耐压3,000V
- UL insulation system: Class F
UL绝缘等级:F级
- Outline dimensions (20.0X5.0X12.5) mm.
外形尺寸(20.0X5.0X12.5) mm。



CONTACT PARAMETERS触点参数

Contact Form触点形式	QY49F-H (一组常开)
Rating Load (Resistive) 额定负载 (阻性)	5A 250VAC/30VDC
Max. Switching Current最大切换电流	5A/30VDC
Max. Switching Voltage最大切换电压	250VAC/30VDC
Max. Switching Power最大切换功率	1,250VA/150W

CHARACTERISTICS性能参数

Contact Materials触点材料	Ag Alloy银合金	
Contact Resistance接触电阻	50mΩ Max.	
Operate Time吸合时间	10msec. Max.	
Release Time释放时间	5msec. Max.	
Insulation Resistance绝缘电阻	1000MΩ Min. (DC500V)	
Initial Dielectric Strength介质耐压	Between open contacts: 触点与触点间:	AC750V, 50/60Hz 1Min.
	Between contacts and coil: 触点与线圈间:	AC3,000V, 50/60Hz 1Min.
Vibration Resistance抗振动	Damage limits: 耐久:	10~55Hz Double Amplitude双振幅1.5mm
	Malfunction: 误动作:	10~55Hz Double Amplitude双振幅1.5mm
Shock Resistance抗冲击	Damage limits: 耐久:	100G Min.
	Malfunction: 误动作:	10G Min.
Life寿命	Mechanical Life (10800 per hour) 机械寿命 (每小时10800次)	1×10 ⁷
	Electrical Life (1800 per hour) 电气寿命 (每小时1800次)	1×10 ⁵
Ambient Temperature环境温度	-40°C ~ +105°C (No condensation) (不冷凝)	
Unit Weight单位重量	约Approx. 3.1g	

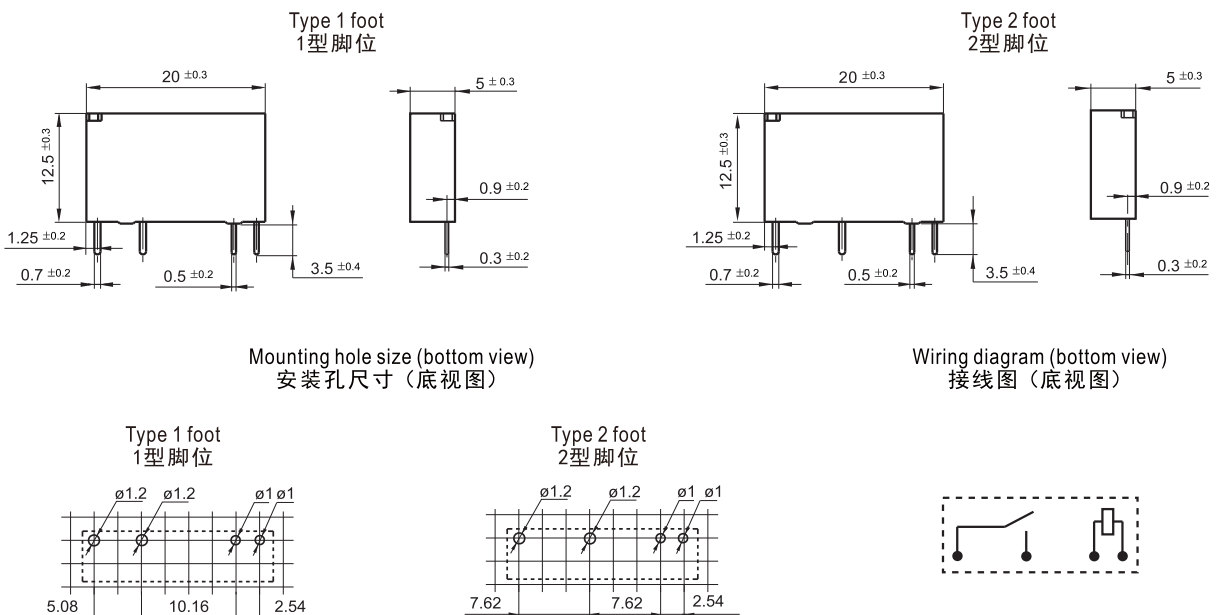
COIL RATINGS (at20°C) 线圈参数 (在20°C)

Coil Nominal Voltage 额定电压 (VDC)	Nominal Current 额定电流 ±10% (mA)	Coil Resistance 线圈电阻 ±10% (Ω)	Max. Continuous Voltage 最大连续外加电压	Pick-Up Voltage 吸合电压 (Max)	Drop-Out Voltage 释放电压 (Min)	Rated power 额定功率
5	24.00	208	Coil Nominal Voltage 130% 额定电压的130%	Coil Nominal Voltage 70% 额定电压的70%	Coil Nominal Voltage 5% 额定电压的5%	0.12 W
6	20.00	300				
9	13.33	675				
12	10.00	1,200				
24	7.50	3,200				0.18 W

ORDERING INFORMATION 订货标记

QY49F-012-H-S-D-1-(XXX) 1 2 3 4 5 6 7	
1. Model Number基本型号: QY49F	5. Coil Power: Nil - 0.12W, D-0.18W 线圈功率: 无-0.12W, D-0.18W
2. Coil Voltage线圈规格 (VDC): 03,05,06,09,12,24,48	6. Induces Foot Position: 1-Type 1 Foot ,2-Type 2 Foot 引出脚位: 1-1型脚位, 2-2型脚位
3. Contact Form:H-1 Form A 触点形式: H-1组常开	7. Features:XXX- Special Requirements, Nil-Standard Type 特性号: XXX-特殊要求, 无-标准型
4. Enclosure: S-General Type,K-Sealed Type 封装形式: S-标准型, K-密封型	

OUTLINE DIMENSIONS (UNIT:mm)外形尺寸 (单位: mm)



Undimensioned tolerance: <1mm: ±0.2mm 1~5mm: ±0.3mm >5mm: ±0.4mm
 未标注尺寸公差: <1mm: ±0.2mm 1~5mm: ±0.3mm >5mm: ±0.4mm

Note: 1.The size of the lead foot is pre welding dimension. 注: 1、引出脚尺寸为预焊前尺寸
 2.installation hole size tolerance: + 0.1mm 2、安装孔尺寸公差: ±0.1mm

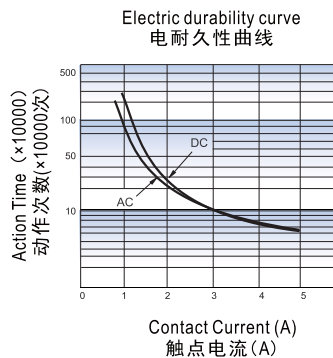
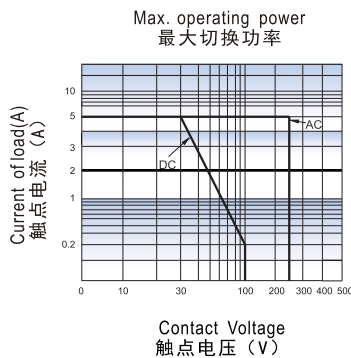
SAFETY STANDARD安规认证

Approval认证类别	CQC	TUV	UL/C_UL
Authentication Load 认证负载	5A 250VAC 5A 30VDC	5A 250VAC 5A 30VDC	5A 250VAC 5A 277VAC 5A 30VDC

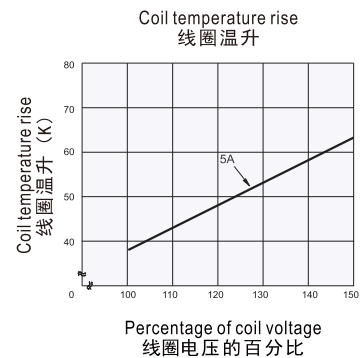
TYPICAL USE典型用途

- Communication ● Safety equipment, Smart home ● PCB Control Board
- Household appliances, Such as air conditioners, Microwave ovens
- 通讯 ● 安全设备, 智能家居 ● PCB控制板 ● 家用电器, 如空调, 微波炉

PERFORMANCE CHART性能曲线图



测试条件:
 1H1型: AgNi,阻性负载,
 250VAC/30VDC,室温,1s通9s断



测试条件:
 5A 85°C(24VDC规格产品典型值)