

Power Relay Series 功率继电器系列--QY62F

FEATURES特点

- 20A switching capability
20A触点切换能力
- 5kV dielectric strength (between coil and contacts)
线圈与触点间介质耐压5kV
- Suitable for microwave oven and other products
适用于微波炉等产品
- Overall dimensions (29.0X12.6X24. 2) mm.
外形尺寸 (29.0X12.6X24. 2) mm。



CONTACT PARAMETERS触点参数

Contact Form触点形式	QY62F
Rating Load (Resistive) 额定负载 (阻性)	16A 250VAC/30VDC
Max. Switching Current最大切换电流	20A
Max.Switching Voltage最大切换电压	277VAC/30VDC
Max.Switching Power最大切换功率	4000VA/480W

CHARACTERISTICS性能参数

Contact Materials触点材料	Ag Alloy银合金	
Contact Resistance接触电阻	50mVΩ Max	
And The Time吸合时间	20msec.Max	
Release Time释放时间	10msec.Max	
Insulation Resistance绝缘电阻	1000MΩ Min.(DC500V)	
Initial Dielectric Strength介质耐压	between open contacts: 触点与触点时:	AC5000V,50/60Hz 1Min
	between contacts and coil: 触点与线圈时:	AC1000V,50/60Hz 1Min
Vibration Resistance抗振动	Damage limits: 耐久:	10~55Hz Double Amplitude双振幅1.5mm
	Malfunction: 误动作:	10~55Hz Double Amplitude双振幅1.5mm
Shock Resistance抗冲击	Damage limits: 耐久:	980G Min
	Malfunction: 误动作:	98G Min
Life 寿命	Mechanical Life (10800 per hour) 机械寿命 (每小时10800次)	10,000,000次
	Electrical Life (1800 per hour) 电气寿命 (每小时1800次)	100,000次
Ambient Temperature环境温度	-30℃~+85℃ (No condensation) (不冷凝)	
Unit Weight单位重量	约Approx.15g	

COIL RATINGS (at20°C) 线圈参数 (在20°C)

Coil Nominal Voltage 额定电压 (VDC)	Nominal Current 额定电流 ±10%(mA)	Coil Resistance 线圈电阻 ±10% (Ω)	Max. Continuous Voltage 最大连续外加电压	Pick-Up Voltage 吸合电压 (Max)	Drop-Out Voltage 释放电压 (Min)	Rated power 额定功率
5	106.30	47	Coil Nominal Voltage 130% 额定电压的 130%	Coil Nominal Voltage 80% 额定电压的 80%	Coil Nominal Voltage 10% 额定电压的 10%	About 0.54 W 约0.54W
6	88.20	68				
9	58.10	155				
12	44.40	270				
18	29.00	620				
24	21.80	1100				
48	10.91	4400				

ORDERING INFORMATION 订货标记

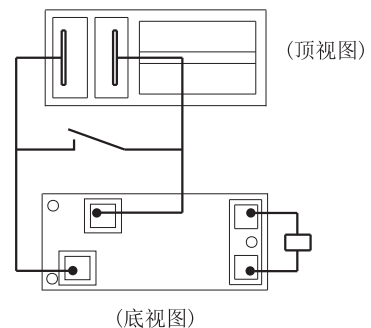
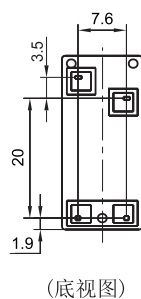
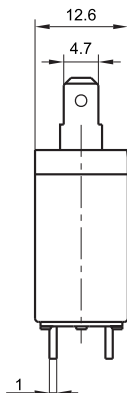
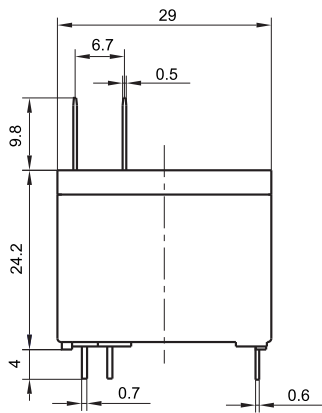
QY62F-012-H-S-T-XXX 1 2 3 4 5 6	
1. Model Number基本型号: QY62F 2. Coil Voltage线圈规格 (VDC): 05, 06, 09, 12, 18, 24, 48 3. Electric shock form: group Z-1 conversion 触电形式: H-1组常开 4. Encapsulation form: S- plastic K- waterproof type. 封装形式: S-塑封型 K-防水型	5. Coil power: No -0.54W 线圈功率: 无-0.54W 6. Features:XXX- Special Requirements No - Standard Type 特性号:XXX-特殊要求, 无-标准型

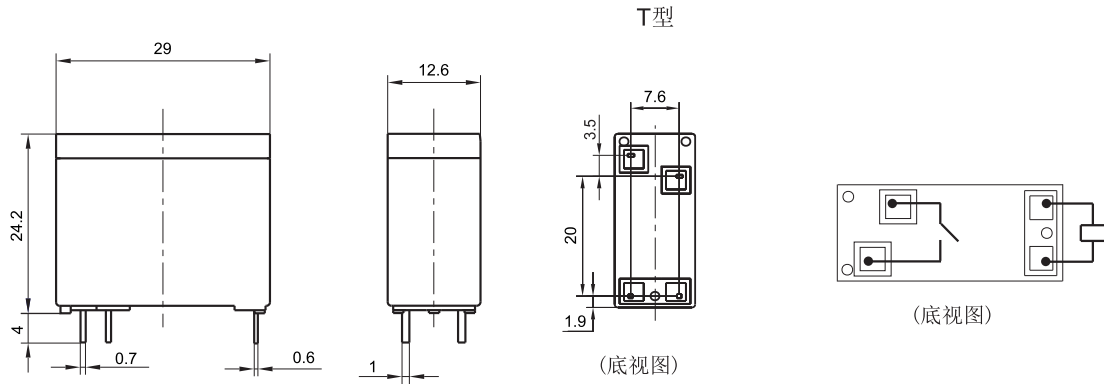
OUTLINE DIMENSIONS (UNIT:mm)外形尺寸 (单位: mm)

外形图

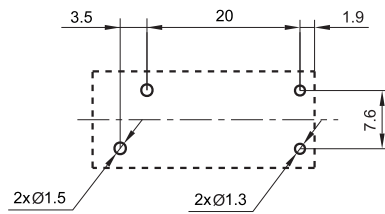
接线图

标准型



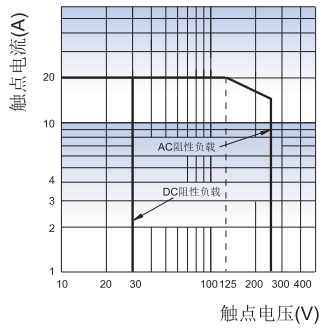


安装孔尺寸
(底视图)

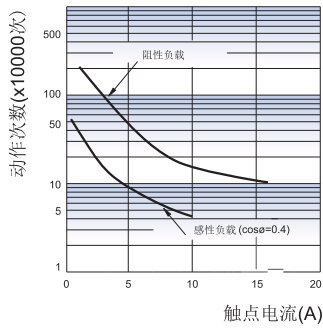


PERFORMANCE CHART性能曲线图

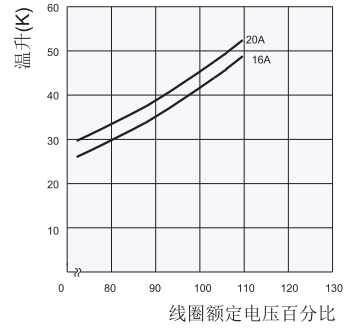
最大切换功率



电耐久性曲线



线圈温升



测试条件：室温，1s通1s断。