

Industrial Relay Series 工业继电器系列—QY836

FEATURES 特点

- Up to 30A switching capability
高达30A触点切换能力
- 1 to 2 C configurations
具有一、两组转换触点形式
- Long service endurance, high reliability
寿命长, 可靠性好
- Outline dimensions (68.0X33.4X47.0) mm
外形尺寸 (68.0X33.4X47.0) mm



CONTACT PARAMETERS 触点参数

Contact Form 触点形式	QY836-1H	QY836-2H
Rating Load (Resistive) 额定负载 (阻性)	30A 240VAC/28VDC	30A 240VAC/28VDC
Max. Switching Current 最大切换电流	30A	30A
Max. Switching Voltage 最大切换电压	240VAC	240VAC
Max. Switching Power 最大切换功率	7,200VA/840W	7,200VA/840W

CHARACTERISTICS 性能参数

Contact Materials 触点材料	Ag Alloy 银合金	
Contact Resistance 接触电阻	100mΩ Max.	
Operate Time 吸合时间	30msec. Max.	
Release Time 释放时间	30msec. Max.	
Insulation Resistance 绝缘电阻	500MΩ Min. (DC500V)	
Initial Dielectric Strength 介质耐压	Between open contacts: 触点与触点间:	2,000VAC, 50/60Hz 1Min.
	Between contacts and coil: 触点与线圈间:	4,000VAC, 50/60Hz 1Min.
Vibration Resistance 抗振动	Damage limits: 耐久:	10~55Hz Double Amplitude 双振幅 1.5mm
	Malfunction: 误动作:	10~55Hz Double Amplitude 双振幅 1.5mm
Shock Resistance 抗冲击	Damage limits: 耐久:	100G Min.
	Malfunction: 误动作:	10G Min.
Life 寿命	Mechanical Life 机械寿命	1 × 10 ⁷
	Electrical Life 电气寿命	1 × 10 ⁵
Ambient Temperature 环境温度	-40°C ~ +85°C (No condensation) (不冷凝)	
Unit Weight 单位重量	约 Approx 120g	

COIL RATINGS (at20°C) 线圈参数 (在20°C)

Coil Nominal Voltage 额定电压 (VDC)	Nominal Current 额定电流 ±10%(mA)	Coil Resistance 线圈电阻 ±10% (Ω)	Max. Continuous Voltage 最大连续外加电压	Pick-Up Voltage 吸合电压 (Max)	Drop-Out Voltage 释放电压 (Min)	Rated power 额定功率
12	167.0	71.8	Coil Nominal Voltage 110% 额定电压的 110%	Coil Nominal Voltage 75% 额定电压的 75%	Coil Nominal Voltage 10% 额定电压的 10%	2.0W
48	83.3	288.0				
110	18.2	6,044				
220	9.0	24,444				

Coil Nominal Voltage 额定电压 (VAC)	Nominal Current 额定电流 ±10%(mA)	Coil Resistance 线圈电阻 ±10% (Ω)	Max. Continuous Voltage 最大连续外加电压	Pick-Up Voltage 吸合电压 (Max)	Drop-Out Voltage 释放电压 (Min)	Rated power 额定功率
12	333.3	36.0	Coil Nominal Voltage 110% 额定电压的 110%	Coil Nominal Voltage 80% 额定电压的 80%	Coil Nominal Voltage 30% 额定电压的 30%	4.0VA
24	166.7	144.0				
110	36.4	3,021.9				
220	18.2	12,087.0				
380	10.5	36,190.0				

ORDERING INFORMATION 订货标记

QY836-220AC-2H-P-(XXX)	
1 2 3 4 5	
1. Model Number 基本型号: QY836	4. Coil Power: Nil -2.0W, P-4.0VA 线圈功率: 无-2.0W, P-4.0VA
2. Coil Voltage 线圈规格: VDC-12, 24, 110, 220 VAC-12, 24, 110, 220, 380	5. Special Parameters: Nil-Standard Type, XXX-Special Requirements 特殊参数: 无-标准型, XXX-特殊要求
3. Contact Form: 1H-1 Form A, 2H-2 Form A 触点形式: 1H-1组常开, 2H-2组常开	

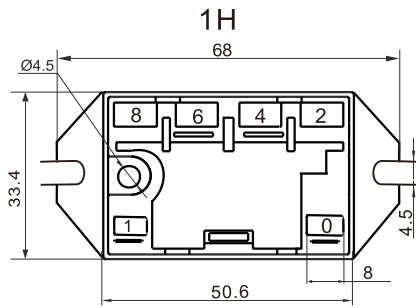
TYPICAL USE 典型用途

- Home Appliances, PCB Circuit Board, Industrial Control System, Automatic Control System
- 家用电器, PCB线路板, 工业控制系统, 自动化控制系统

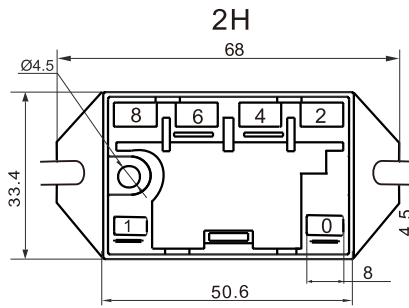
OUTLINE DIMENSIONS (UNIT:mm)外形尺寸 (单位: mm)

External Chart
外形图

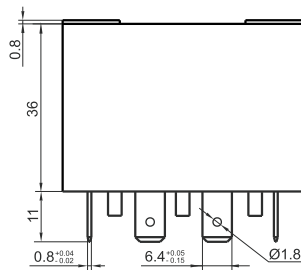
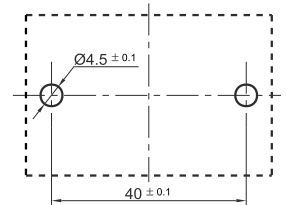
Mounting hole size (bottom view)
安装孔尺寸 (底视图)



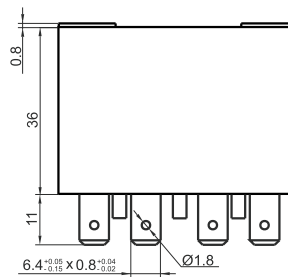
Bottom View
底视图



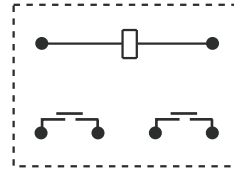
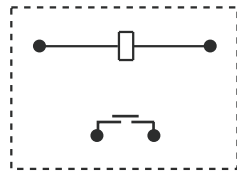
Bottom View
底视图



1H



2H



Wiring diagram (bottom view)
接线图 (底视图)

PERFORMANCE CHART性能曲线图

