

Power Relay Series 功率继电器系列 - QYT73-21

FEATURES特点

- 16A contact switching capability
16A触点切换能力
- Plastic sealed and dust protected types available
塑封型和防尘罩型可供选择
- UL insulation system: Class F
UL绝缘等级:F级
- Outline dimensions (20.3X16.6X20.6) mm.
外形尺寸 (20.3X16.6X20.6) mm。



CONTACT PARAMETERS触点参数

Basic model基本型号	QYT73-21	
Rating Load (Resistive) 额定负载 (阻性)	16A 250VAC	16A 28VDC
Max. Switching Current最大切换电流	16A	
Max. Switching Voltage最大切换电压	250VAC	
Max. Switching Power最大切换功率	4,000VA/448W	

CHARACTERISTICS性能参数

Contact Materials触点材料	Ag Alloy银合金	
Contact Resistance接触电阻	50mΩ Max.	
Operate Time吸合时间	15msec.Max.	
Release Time释放时间	5msec.Max.	
Insulation Resistance绝缘电阻	1000MΩ Min.(DC500V)	
Initial Dielectric Strength介质耐压	Between open contacts: 触点与触点间:	AC1,000V,50/60Hz 1Min.
	Between contacts and coil: 触点与线圈间:	AC1,500V,50/60Hz 1Min.
Vibration Resistance抗振动	Damage limits: 耐久:	10~55Hz Double Amplitude双振幅1.5mm
	Malfunction: 误动作:	10~55Hz Double Amplitude双振幅1.5mm
Shock Resistance抗冲击	Damage limits: 耐久:	100G Min.
	Malfunction: 误动作:	10G Min.
Life寿命	Mechanical Life (10800 per hour) 机械寿命 (每小时10800次)	1×10 ⁷
	Electrical Life (1800 per hour) 电气寿命 (每小时1800次)	1×10 ⁵
Ambient Temperature环境温度	-40°C ~ +105°C (No condensation) (不冷凝)	
Unit Weight单位重量	约Approx.12.5g	

COIL RATINGS (at20°C) 线圈参数 (在20°C)

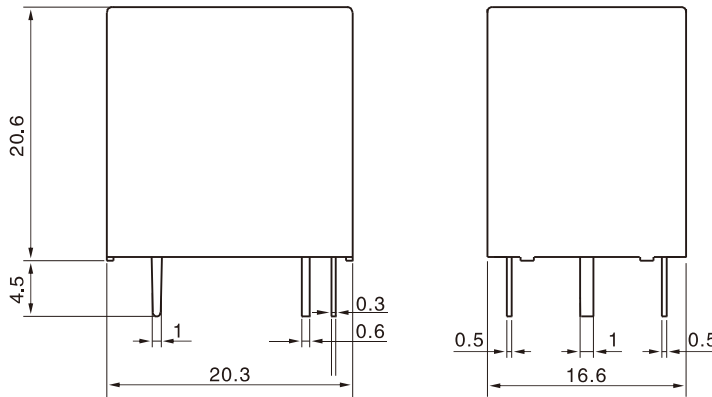
Coil Nominal Voltage 额定电压 (VDC)	Nominal Current 额定电流 ±10%(mA)	Coil Resistance 线圈电阻 ±10% (Ω)	Max. Continuous Voltage 最大连续外加电压	Pick-Up Voltage 吸合电压 (Max)	Drop-Out Voltage 释放电压 (Min)	Rated power 额定功率
3	120.00	25	Coil Nominal Voltage 130% 额定电压的 130%	Coil Nominal Voltage 75% 额定电压的 75%	Coil Nominal Voltage 5% 额定电压的 5%	About 0.36W
5	71.42	70				
6	60.00	100				
9	40.00	225				
12	30.00	400				
15	24.00	625				
18	20.00	900				
24	15.00	1,600				
48	7.50	6,400				
60	6.00	10,000				

Coil Nominal Voltage 额定电压 (VDC)	Nominal Current 额定电流 ±10%(mA)	Coil Resistance 线圈电阻 ±10% (Ω)	Max. Continuous Voltage 最大连续外加电压	Pick-Up Voltage 吸合电压 (Max)	Drop-Out Voltage 释放电压 (Min)	Rated power 额定功率
5	90.00	55	Coil Nominal Voltage 130% 额定电压的 130%	Coil Nominal Voltage 75% 额定电压的 75%	Coil Nominal Voltage 5% 额定电压的 5%	About 0.45 W 约0.45W
6	75.00	80				
9	50.00	180				
12	37.00	320				
18	25.00	720				
24	18.75	1280				

ORDERING INFORMATION 订货标记

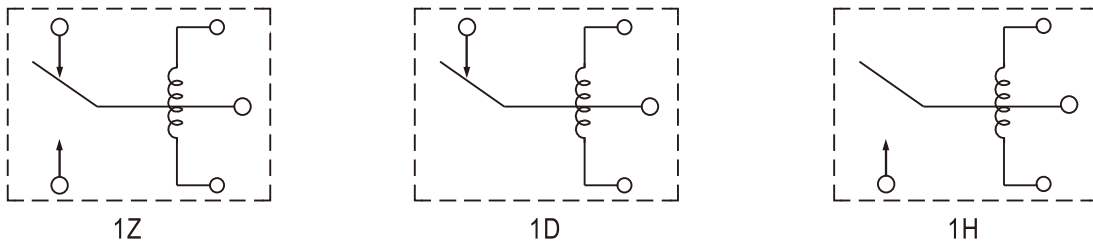
QYT73-012DC-H-S- □ - 21 -XXX 1 2 3 4 5 6 7	
1. Model Number 基本型号: QYT73	4. Enclosure: S-General Type, K-Sealed Type 封装形式: S-标准型, K-密封型
2. Coil Voltage 线圈规格 (VDC): 003DC~048DC	5. Coil Power: Nil - 0.36 W, W-0.45W 线圈功率: 无-0.36W, W-0.45W
3. Contact Form: H-1 Form A, D-1 Form B, Z-1 Form C 触点形式: H-1组常开, D-1组常闭, Z-1组转换	6. Specific parameters: 21 custom number 特定参数: 21-定制号
	7. Features: XXX- Special Requirements, Nil-Standard Type 特性号: XXX-特殊要求, 无-标准型

OUTLINE DIMENSIONS (UNIT:mm)外形尺寸 (单位: mm)

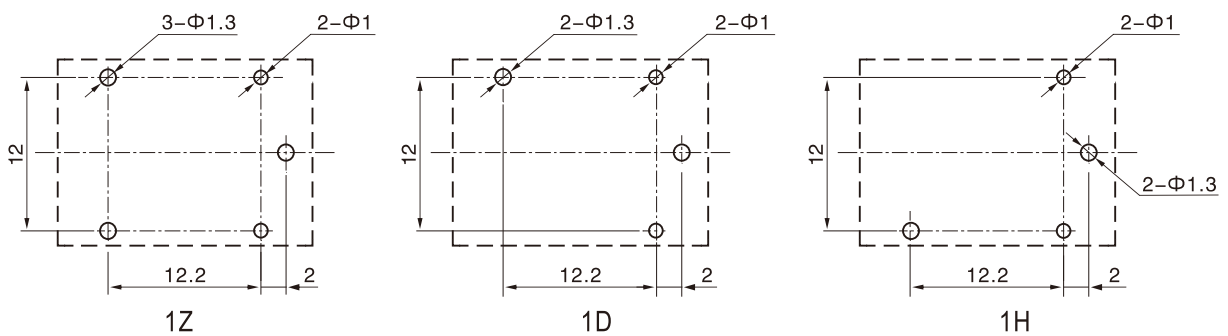


Undimensioned tolerance: <1mm: ±0.2mm 1~5mm: ±0.3mm >5mm: ±0.4mm
 未标注尺寸公差: <1mm: ±0.2mm 1~5mm: ±0.3mm >5mm: ±0.4mm

Note: 1. The size of the lead foot is pre welding dimension. 注: 1、引出脚尺寸为预焊前尺寸
 2. installation hole size tolerance: + 0.1mm 2、安装孔尺寸公差: ±0.1mm



Wiring diagram (bottom view)
 接线图 (底视图)



Mounting hole size (bottom view)
 安装孔尺寸 (底视图)

TYPICAL USE 典型用途

- Vending Machines
- Household appliances: Air conditioning, Electric heaters, Etc..
- Office equipment: Computer, Fax, Etc..
- Smart Home Products
- 家用电器: 空调、电热器等
- 自动售货机
- 办公室设备: 电脑、传真机等
- 智能家居产品

PERFORMANCE CHART性能曲线图

