

120 EC Fan Series x120x25mm

UL us CE RoHS

Optional Features



ENERGY SAVING
ECDYNAMIC™



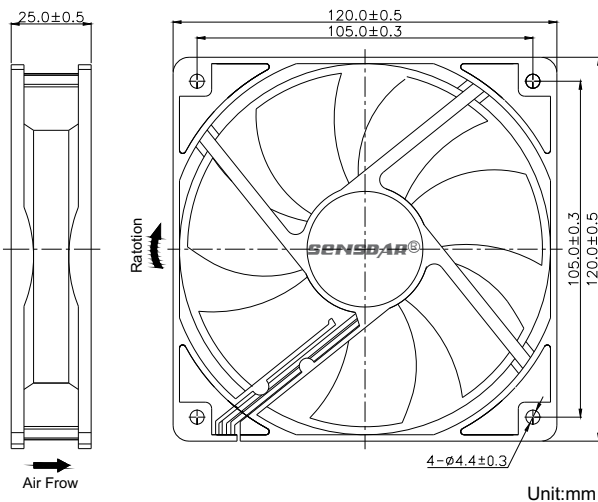
GENERAL SPECIFICATIONS

Bearing Type: Sleeve Bearing & Ball Bearing
 Material: Impeller & Frame: Plastic (UL94V-0)
 Lead Wire: UL Type
 Operation Temperature: -10°C-70°C, 35%-85%RH
 Storage Temperature: -40°C-80°C, 35%-85%RH

SPECIFICATIONS

Model	Bearing System		Rated Voltage	Freq.	Operation Voltage	Rated Current	Power	Rated Speed	Air Flow	Air Pressure	Noise Level	Weight
	Ball	Sleeve	VAC	Hz	VAC	A	W	RPM	CFM	mmH ₂ O	dBA	g
SE1225HX	●	●	115/230	50/60	98-264	0.08	7.0	2600	100.2	4.2	38	140
SE1225MX	●	●				0.06	4.0	2200	85.5	3.0	33	
SE1225LX	●	●				0.05	3.0	1800	68.6	2.1	28	

DIMENSIONS DRAWING



Note:

- *All readings are typical values at rated voltage.
- *Specifications are subject to change without prior notice.
- *"X" in model list can be B, S, and C, meaning Dual Ball Bearing, Sleeve Bearing and 1 Ball 1 Sleeve Bearing

P&Q CURVE (AT RATED VOLTAGE)

