

120

AC Fan Series

x120x38mm

CE RoHS

GENERAL SPECIFICATIONS

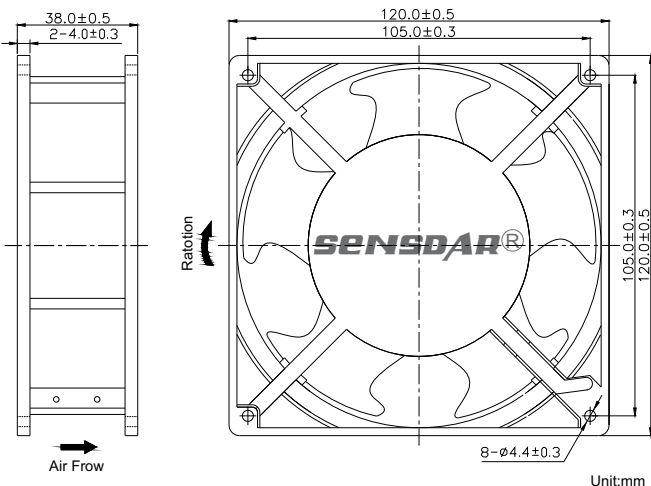
Bearing Type: Sleeve Bearing & Ball Bearing
 Material: Impeller: Plastic ; Frame: Aluminum Alloy
 Lead Wire: UL Type
 Operation Temperature: -10°C-65°C, 35%-85%RH
 Storage Temperature: -40°C-70°C, 35%-85%RH



SPECIFICATIONS

Model	Bearing System		Rated Voltage	Frequency	Rated Current	Rated Input Power	Rated Speed	Air Flow	Air Pressure	Noise Level	Weight
	Ball	Sleeve	VAC	Hz	A	Watt	RPM	CFM	mmH ₂ O	dBA	g
SA1238L1S		●	110-125	50/60	0.10	10/9	2000/2300	66/72	3.2/5.1	35/39	500
SA1238M1S		●	110-125	50/60	0.15	15/14	2300/2600	72/83	5.1/6.8	39/42	
SA1238H1S		●	110-125	50/60	0.26/0.24	20/19	2550/2900	95/106	8.4/9.7	44/49	
SA1238H1B	●		110-125	50/60	0.26/0.24	20/19	2550/2900	95/106	8.4/9.7	44/49	
SA1238L2S		●	200-240	50/60	0.10	10/9	2000/2300	66/72	3.2/5.1	35/39	
SA1238M2S		●	200-240	50/60	0.16	15/14	2300/2600	72/83	5.1/6.8	39/42	
SA1238H2S		●	200-240	50/60	0.14/0.12	20/19	2550/2900	95/106	8.4/9.7	44/49	
SA1238H2B	●		200-240	50/60	0.14/0.12	20/19	2550/2900	95/106	8.4/9.7	44/49	
SA1238H3S		●	380	50/60	0.08/0.07	20/19	2550/2900	95/106	8.4/9.7	44/49	
SA1238H3B	●		380	50/60	0.08/0.07	20/19	2550/2900	95/106	8.4/9.7	44/49	

DIMENSIONS DRAWING



Note:

- *All readings are typical values at rated voltage.
- *Specifications are subject to change without prior notice.

P&Q CURVE (AT RATED VOLTAGE)

