

172 DC Fan Series

x150x51mm

UL us CE RoHS

Optional Features



GENERAL SPECIFICATIONS

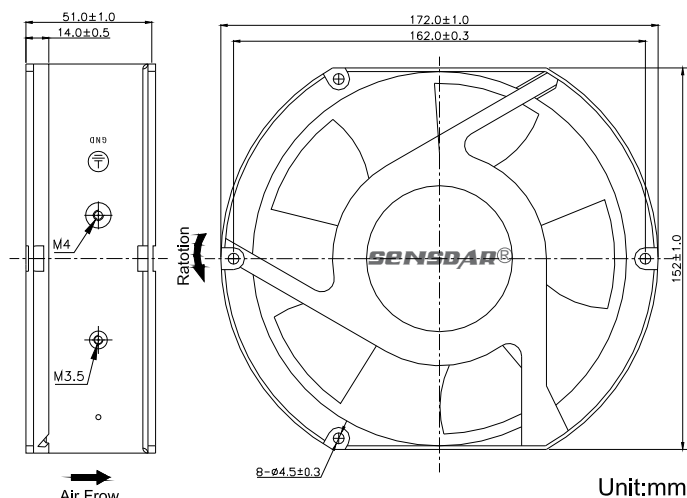
Bearing Type: Ball Bearing
 Material: Impeller: Plastic ; Frame: Aluminum Alloy
 Lead Wire: UL Type
 Operation Temperature: -10°C~70°C, 35%~85%RH
 Storage Temperature: -40°C~80°C, 35%~85%RH



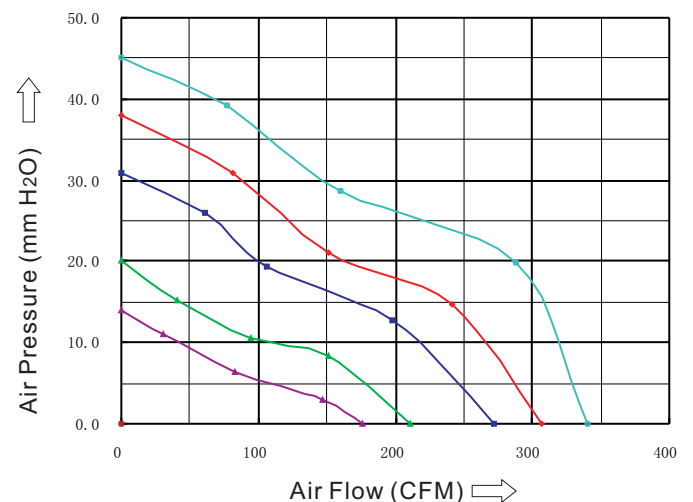
SPECIFICATIONS

Model	Bearing System		Rated Voltage	Operation Voltage	Rated Current	Rated Speed	Air Flow	Air Pressure	Noise Level	Weight
	Ball	Sleeve	VDC	VDC	A	RPM	CFM	mmH ₂ O	dBA	g
SD1751D1B-5	●		12.0	7.0~13.8	3.00	4500	306.8	38.1	64	750
SD1751H1B-5	●				2.50	4000	272.6	30.8	61	
SD1751M1B-5	●				1.50	3000	211.5	20.0	51	
SD1751L1B-5	●				1.00	2500	176.2	13.9	44	
SD1751D2B-5	●		24.0	15~27.6	2.40	5000	340.8	45.0	68	
SD1751H2B-5	●				2.00	4500	306.8	38.1	64	
SD1751M2B-5	●				1.50	4000	272.6	30.8	61	
SD1751L2B-5	●				0.60	3000	211.5	20.0	51	
SD1751D4B-5	●		48.0	24~55.2	1.50	5000	340.8	45.0	68	
SD1751H4B-5	●				1.00	4500	306.8	38.1	64	
SD1751M4B-5	●				0.75	4000	272.6	30.8	61	
SD1751L4B-5	●				0.40	3000	211.5	20.0	51	

DIMENSIONS DRAWING



P&Q CURVE (AT RATED VOLTAGE)



Note:

- *All readings are typical values at rated voltage.
- *Specifications are subject to change without prior notice.
- *"X" in model list can be B, S, and C, meaning Dual Ball Bearing, Sleeve Bearing and 1 Ball 1 Sleeve Bearing