

120 DC Fan Series x120x38mm

UL us CE RoHS

Optional Features



GENERAL SPECIFICATIONS

Bearing Type: Sleeve Bearing & Ball Bearing
 Material: Impeller & Frame: Plastic (UL94V-0)
 Lead Wire: UL Type
 Operation Temperature: -10°C~70°C, 35%~85%RH
 Storage Temperature: -40°C~80°C, 35%~85%RH

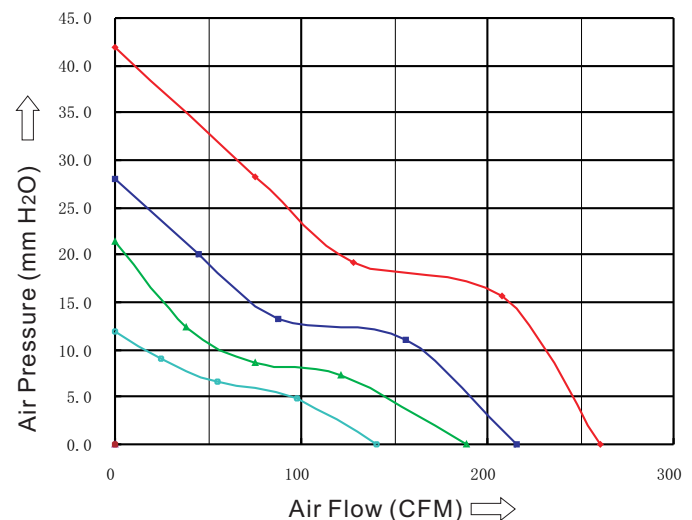
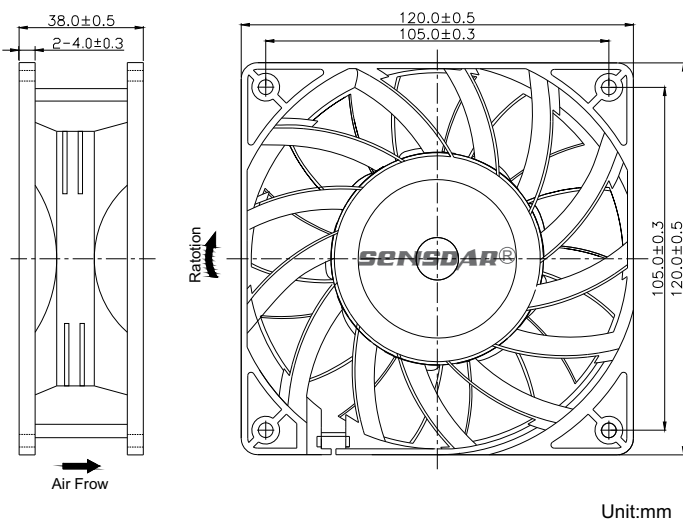


SPECIFICATIONS

| Model | Bearing System | | Rated Voltage | Operation Voltage | Rated Current | Rated Speed | Air Flow | Air Pressure | Noise Level | Weight |
|-----------|----------------|--------|---------------|-------------------|---------------|-------------|----------|--------------------|-------------|--------|
| | Ball | Sleeve | VDC | VDC | A | RPM | CFM | mmH ₂ O | dB(A) | g |
| SG1238H1X | ● | | 12.0 | 7.0~13.8 | 3.30 | 4500 | 215.2 | 28.0 | 62 | 350 |
| SG1238M1X | ● | ● | | | 2.00 | 4000 | 188.5 | 21.5 | 58 | |
| SG1238L1X | ● | ● | | | 1.50 | 3000 | 140.1 | 12.0 | 52 | |
| SG1238D2X | ● | | 24.0 | 15.0~27.6 | 1.50 | 5500 | 260.5 | 42.0 | 68 | |
| SG1238H2X | ● | | | | 1.30 | 4500 | 215.2 | 28.0 | 62 | |
| SG1238M2X | ● | ● | | | 1.10 | 4000 | 188.5 | 21.5 | 58 | |
| SG1238L2X | ● | ● | 0.60 | 3000 | 140.1 | 12.0 | 52 | | | |
| SG1238H4X | ● | | 48.0 | 28.0~55.2 | 1.20 | 5500 | 260.5 | 42.0 | 68 | |
| SG1238H4X | ● | | | | 0.90 | 4500 | 215.2 | 28.0 | 62 | |
| SG1238M4X | ● | ● | | | 0.60 | 4000 | 188.5 | 21.5 | 58 | |
| SG1238L4X | ● | ● | | | 0.38 | 3000 | 140.1 | 12.0 | 52 | |

DIMENSIONS DRAWING

P&Q CURVE (AT RATED VOLTAGE)



Note:

- *All readings are typical values at rated voltage.
- *Specifications are subject to change without prior notice.
- *"X" in model list can be B, S, and C, meaning Dual Ball Bearing, Sleeve Bearing and 1 Ball 1 Sleeve Bearing