

92 DC Fan Series x92x38mm

UL us CE RoHS

Optional Features



GENERAL SPECIFICATIONS

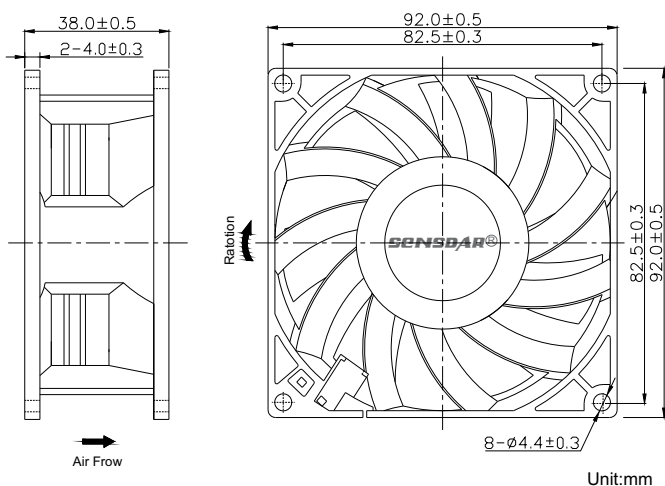
Bearing Type: Sleeve Bearing & Ball Bearing
 Material: Impeller & Frame: Plastic (UL94V-0)
 Lead Wire: UL Type
 Operation Temperature: -10°C~70°C, 35%~85%RH
 Storage Temperature: -40°C~80°C, 35%~85%RH



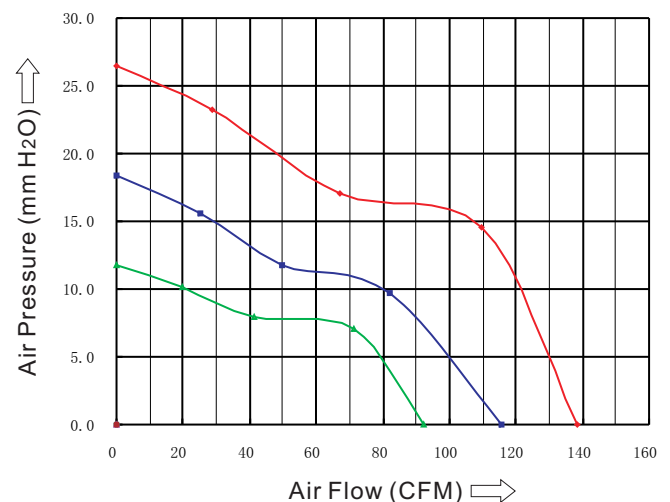
SPECIFICATIONS

Model	Bearing System		Rated Voltage	Operation Voltage	Rated Current	Rated Speed	Air Flow	Air Pressure	Noise Level	Weight
	Ball	Sleeve	VDC	VDC	A	RPM	CFM	mmH ₂ O	dBA	g
SG9238H1X	●		12.0	7.0~13.8	2.50	6000	138.5	26.4	63	170
SG9238M1X	●	●			1.00	5000	115.4	18.4	56	
SG9238L1X	●	●			0.50	4000	92.3	11.7	48	
SG9238H2X	●		24.0	15~27.6	1.50	6000	138.5	26.4	63	
SG9238M2X	●	●			0.75	5000	115.4	18.4	56	
SG9238L2X	●	●			0.25	4000	92.3	11.7	48	
SG9238H4X	●		48.0	24~55.2	0.80	6000	138.5	26.4	63	
SG9238M4X	●	●			0.30	5000	115.4	18.4	56	
SG9238L4X	●	●			0.20	4000	92.3	11.7	48	

DIMENSIONS DRAWING



P&Q CURVE (AT RATED VOLTAGE)



Note:

- *All readings are typical values at rated voltage.
- *Specifications are subject to change without prior notice.
- *"X" in model list can be B, S, and C, meaning Dual Ball Bearing, Sleeve Bearing and 1 Ball 1 Sleeve Bearing