



SK6406/G

LINEAR INTEGRATED CIRCUIT

2-PHASE DC-FAN MOTOR PRE-DRIVER IC

DESCRIPTION

SK6406 is a 2-phase pre-driver IC for dc-fan motors, providing the functions of motor lock protection, auto-restart, and rotation detection signal output. SK6406 is with RD option and SK6406G with FG.

FEATURES

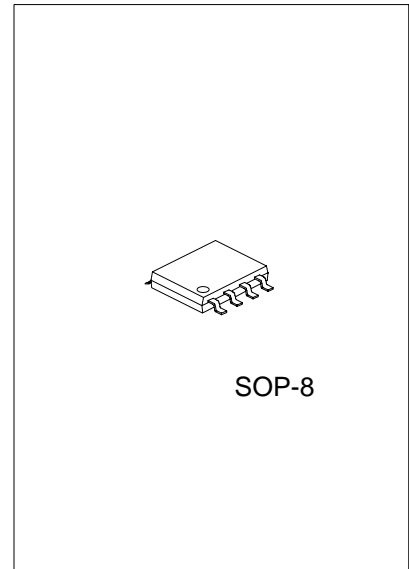
- * Wide supply voltage range of 2.5V to 30V
- * Lock protection
- * Auto-restart when the motor lock is undone
- * RD(latch-type lockup detection) output (SK6406)
- * FG(frequency generator) output (SK6406G)

APPLICATION

- * Dual Coil DC FAN Motor

ORDERING INFORMATION

Order Number		Package	Packing
Normal	Lead Free Plating		
SK6406-S08-R	SK6406L-S08-R	SOP-8	Tape Reel
SK6406-S08-T	SK6406L-S08-T	SOP-8	Tube
SK6406G-S08-R	SK6406GL-S08-R	SOP-8	Tape Reel
SK6406G-S08-T	SK6406GL-S08-T	SOP-8	Tube

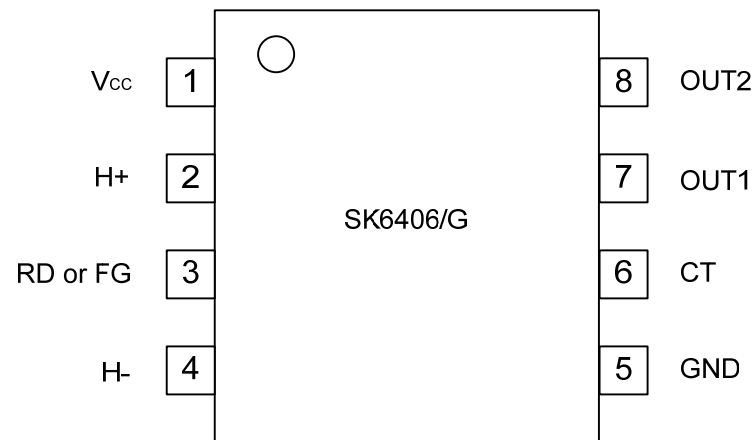


SOP-8

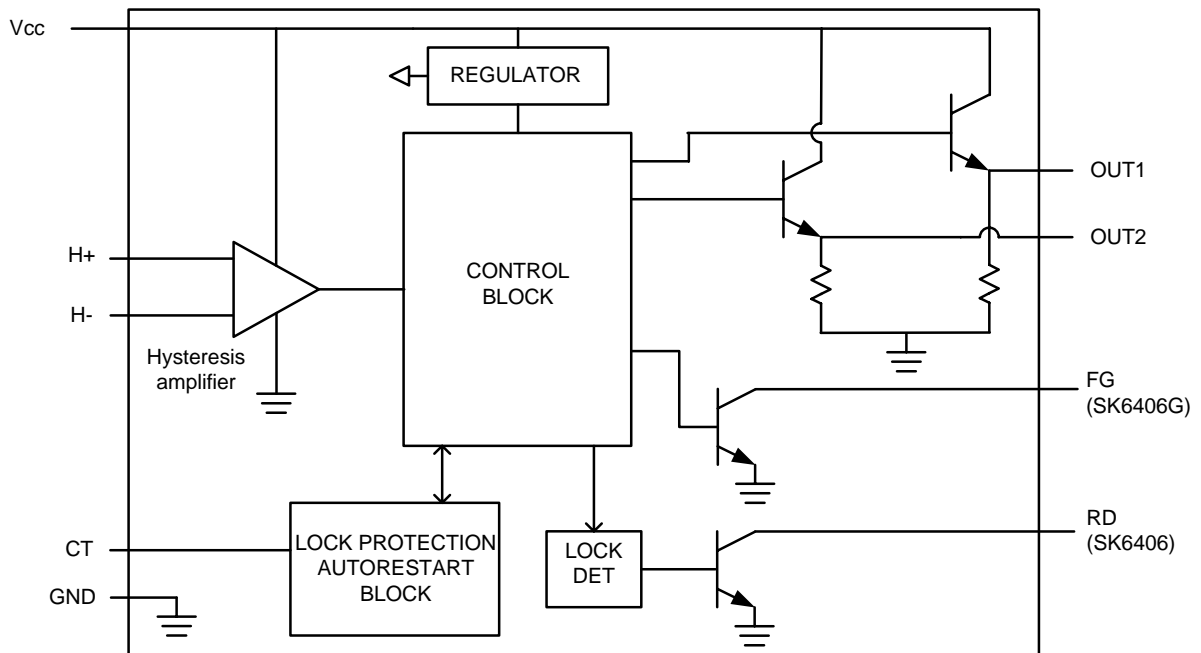
*Pb-free plating product number:
SK6406L/SK6406GL

<p>SK6406L-S08-R</p> <p>(1)Packing Type (2)Package Type (3)Lead Plating</p>	<p>(1) R: Tape Reel, T: Tube (2) S08: SOP-8 (3) L: Lead Free Plating, Blank: Pb/Sn</p>
---	--

■ PIN CONFIGURATION



■ BLOCK DIAGRAM



■ ABSOLUTE MAXIMUM RATINGS (Ta = 25°C)

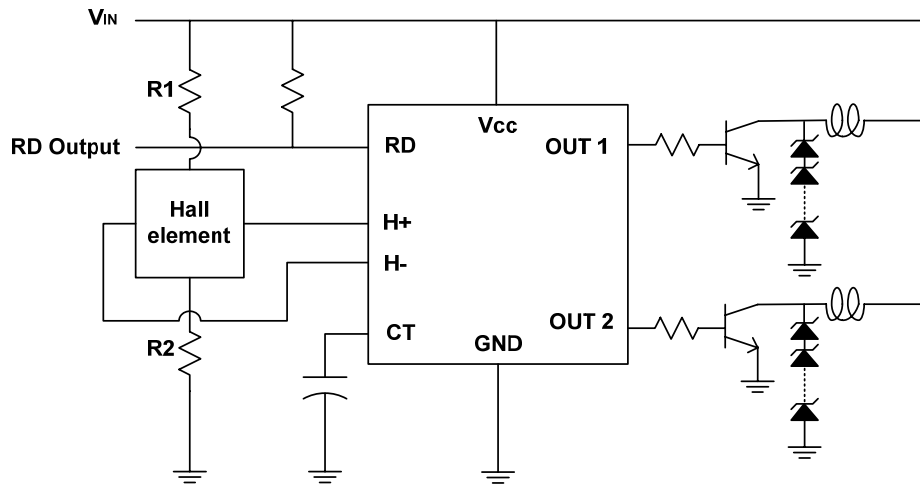
PARAMETER	SYMBOL	RATINGS	UNIT
Supply Voltage	V _{CC}	2.5V ~ 30V	V
Hall Input Common Mode Voltage Range	V _{HIC}	1.0 ~ V _{CC} -0.5	V
Circuit Current	I _{OUT}	80	mA
Power Dissipation	P _D	700	mW
Operating Ambient Temperature	T _{OPR}	-20 ~ +85	°C
Storage Temperature	T _{STG}	-55 ~ +150	°C

Note Absolute maximum ratings are those values beyond which the device could be permanently damaged. Absolute maximum ratings are stress ratings only and functional device operation is not implied.

■ ELECTRICAL CHARACTERISTICS (Ta=25°C, V_{CC}=12V)

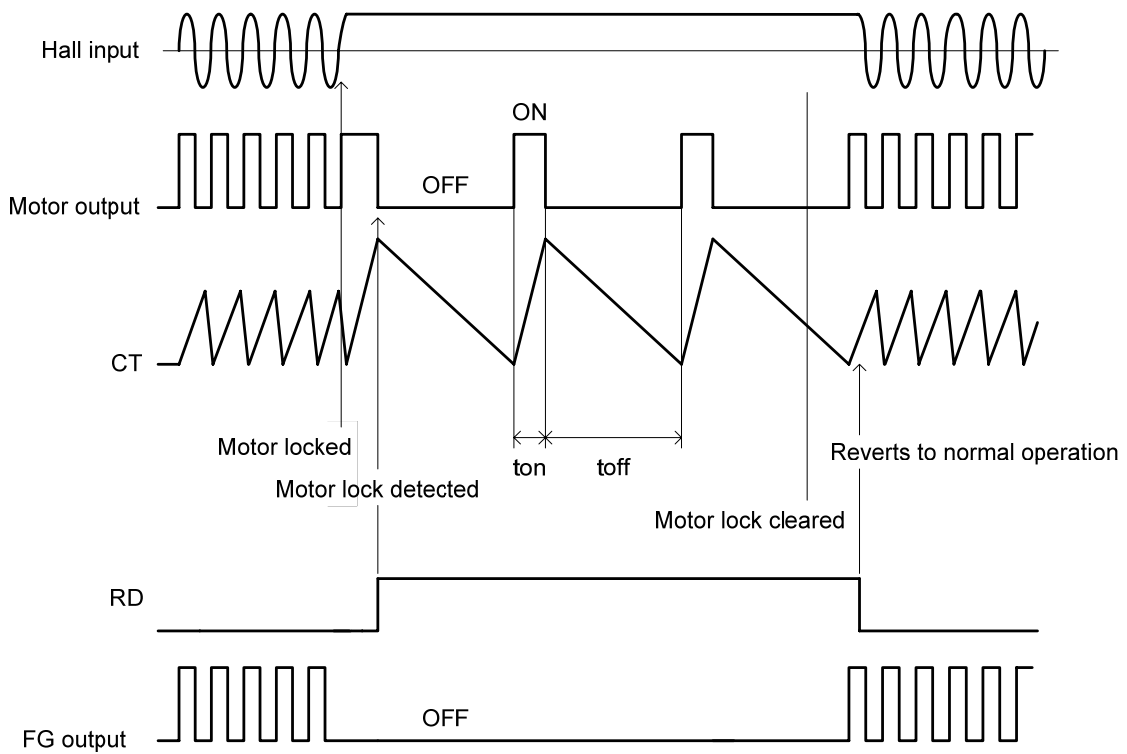
PARAMETER	SYMBOL	TEST CONDITIONS	MIN	TYP	MAX	UNIT	
Current Drain	I _{CC}	In drive mode	CT=L		3.2	8.7	mA
			CT=H		3.2	5	mA
Lockup Detection Capacitor Charge Current	I _{CT1}	V _{CT} = 1.1V	2	3.45	5.25	uA	
Capacitor Discharge Current	I _{CT2}	V _{CT} = 1.1V	0.35	0.8	1.45	uA	
Charge/Discharge Ratio	R _{CT}	R _{CD} =I _{CT1} /I _{CT2}	3	4.5	8		
CT Charge Voltage	V _{CT1}		2.2	2.6	3	V	
CT Discharge Voltage	V _{CT2}		0.4	0.6	0.8	V	
Output High Level Voltage	V _{OL}	I _{OUT} = 10 mA	10	10.5		V	
Hall Input Sensitivity	V _{Hin}	Zero peak value (including offset and hysteresis)	3		15	mV	
RD Output Pin Low Voltage (SK6406)	V _{RDL}	I _{RD} =5mA		0.1	0.3	V	
RD Current Capacity (SK6406)	I _{RD}	V _{RDL} =2V	20			mA	
FG Low Voltage (SK6406G)	V _{FGL}	I _{FG} =5mA		0.1	0.3	V	
FG Driver Capacity (SK6406G)	I _{FG}	V _{FGL} =2V	20			mA	
FG Leakage Current (SK6406G)	I _{FGL}	V _{FGL} =15V			50	uA	

■ TYPICAL APPLICATION CIRCUIT(SK6406)



*Same value of hall bias resistors is selected for R1 and R2

■ LOCKUP PROTECTION / AUTOMATIC RECOVERY



UTC assumes no responsibility for equipment failures that result from using products at values that exceed, even momentarily, rated values (such as maximum ratings, operating condition ranges, or other parameters) listed in products specifications of any and all UTC products described or contained herein. UTC products are not designed for use in life support appliances, devices or systems where malfunction of these products can be reasonably expected to result in personal injury. Reproduction in whole or in part is prohibited without the prior written consent of the copyright owner. The information presented in this document does not form part of any quotation or contract, is believed to be accurate and reliable and may be changed without notice.