



The following document contains information on Cypress products. Although the document is marked with the name "Spansion", the company that originally developed the specification, Cypress will continue to offer these products to new and existing customers.

Continuity of Specifications

There is no change to this document as a result of offering the device as a Cypress product. Any changes that have been made are the result of normal document improvements and are noted in the document history page, where supported. Future revisions will occur when appropriate, and changes will be noted in a document history page.

Continuity of Ordering Part Numbers

Cypress continues to support existing part numbers. To order these products, please use only the Ordering Part Numbers listed in this document.

For More Information

Please contact your local sales office for additional information about Cypress products and solutions.

About Cypress

Cypress (NASDAQ: CY) delivers high-performance, high-quality solutions at the heart of today's most advanced embedded systems, from automotive, industrial and networking platforms to highly interactive consumer and mobile devices. With a broad, differentiated product portfolio that includes NOR flash memories, F-RAM™ and SRAM, Traveo™ microcontrollers, the industry's only PSoC® programmable system-on-chip solutions, analog and PMIC Power Management ICs, CapSense® capacitive touch-sensing controllers, and Wireless BLE Bluetooth® Low-Energy and USB connectivity solutions, Cypress is committed to providing its customers worldwide with consistent innovation, best-in-class support and exceptional system value.

MB39C605

ASSP

Phase Dimmable PSR LED Driver IC for LED Lighting

Data Sheet (Full Production)



Notice to Readers: This document states the current technical specifications regarding the SpanSion product(s) described herein. SpanSion Inc. deems the products to have been in sufficient production volume such that subsequent versions of this document are not expected to change. However, typographical or specification corrections, or modifications to the valid combinations offered may occur.

Notice On Data Sheet Designations

SpanSion Inc. issues data sheets with Advance Information or Preliminary designations to advise readers of product information or intended specifications throughout the product life cycle, including development, qualification, initial production, and full production. In all cases, however, readers are encouraged to verify that they have the latest information before finalizing their design. The following descriptions of SpanSion data sheet designations are presented here to highlight their presence and definitions.

Advance Information

The Advance Information designation indicates that SpanSion Inc. is developing one or more specific products, but has not committed any design to production. Information presented in a document with this designation is likely to change, and in some cases, development on the product may discontinue. SpanSion Inc. therefore places the following conditions upon Advance Information content:

“This document contains information on one or more products under development at SpanSion Inc. The information is intended to help you evaluate this product. Do not design in this product without contacting the factory. SpanSion Inc. reserves the right to change or discontinue work on this proposed product without notice.”

Preliminary

The Preliminary designation indicates that the product development has progressed such that a commitment to production has taken place. This designation covers several aspects of the product life cycle, including product qualification, initial production, and the subsequent phases in the manufacturing process that occur before full production is achieved. Changes to the technical specifications presented in a Preliminary document should be expected while keeping these aspects of production under consideration. SpanSion places the following conditions upon Preliminary content:

“This document states the current technical specifications regarding the SpanSion product(s) described herein. The Preliminary status of this document indicates that product qualification has been completed, and that initial production has begun. Due to the phases of the manufacturing process that require maintaining efficiency and quality, this document may be revised by subsequent versions or modifications due to changes in technical specifications.”

Combination

Some data sheets contain a combination of products with different designations (Advance Information, Preliminary, or Full Production). This type of document distinguishes these products and their designations wherever necessary, typically on the first page, the ordering information page, and pages with the DC Characteristics table and the AC Erase and Program table (in the table notes). The disclaimer on the first page refers the reader to the notice on this page.

Full Production (No Designation on Document)

When a product has been in production for a period of time such that no changes or only nominal changes are expected, the Preliminary designation is removed from the data sheet. Nominal changes may include those affecting the number of ordering part numbers available, such as the addition or deletion of a speed option, temperature range, package type, or VIO range. Changes may also include those needed to clarify a description or to correct a typographical error or incorrect specification. SpanSion Inc. applies the following conditions to documents in this category:

“This document states the current technical specifications regarding the SpanSion product(s) described herein. SpanSion Inc. deems the products to have been in sufficient production volume such that subsequent versions of this document are not expected to change. However, typographical or specification corrections, or modifications to the valid combinations offered may occur.”

Questions regarding these document designations may be directed to your local sales office.

MB39C605

ASSP

Phase Dimmable PSR LED Driver IC for LED Lighting

Data Sheet (Full Production)



1. Description

MB39C605 is a Primary Side Regulation (PSR) LED driver IC for LED lighting. Using the information of the primary peak current and the transformer-energy-zero time, it is able to deliver a well regulated current to the secondary side without using an opto-coupler in an isolated flyback topology. Operating in critical conduction mode, a smaller transformer is required. In addition, MB39C605 has a built-in phase dimmable circuit and can constitute the lighting system for phase dimming.

It is most suitable for the general lighting applications, for example replacement of commercial and residential incandescent lamps.

2. Features

- PSR topology in an isolated flyback circuit
- High efficiency (>80% : without dimmer) and low EMI by detecting transformer zero energy
- TRAIIC Dimmable LED lighting
- Highly reliable protection functions
 - Under voltage lock out (UVLO)
 - Over voltage protection (OVP)
 - Over current protection (OCP)
 - Short circuit protection (SCP)
 - Over temperature protection (OTP)
- Switching frequency setting : 30 kHz to 133 kHz
- Input voltage range VDD : 9V to 20V
- Input voltage for LED lighting applications : AC110V_{RMS}, AC230V_{RMS}
- Output power range for LED lighting applications : 5W to 10W
- Small Package : SOP-8 (3.9 mm × 5.05 mm × 1.75 mm[Max])

3. Applications

- Phase dimmable (Leading/Trailing) LED lighting
- LED lighting



Online Design Simulation Easy DesignSim

This product supports the web-based design simulation tool.
It can easily select external components and can display useful information.
Please access from the following URL.

<http://www.spansion.com/easydesignsim/>

Table of Contents

1.	Description	3
2.	Features	3
3.	Applications	3
4.	Pin Assignment	6
5.	Pin Descriptions	6
6.	Block Diagram	7
7.	Absolute Maximum Ratings	8
8.	Recommended Operating Conditions	9
9.	Electrical Characteristics	10
10.	Standard Characteristics	12
11.	Function Explanations	13
11.1	LED Current Control by PSR (Primary Side Regulation)	13
11.2	Dimming Function	14
11.3	Power-On Sequence	15
11.4	Power-Off Sequence	16
11.5	I_{P_PEAK} Detection Function	16
11.6	Zero Voltage Switching Function	16
11.7	Protection Functions	17
12.	I/O Pin Equivalent Circuit Diagram	18
13.	Application Examples	20
14.	Usage Precautions	25
15.	Ordering Information	26
16.	Marking Format	27
17.	Recommended mounting condition [JEDEC Level3] Lead Free	28
17.1	Recommended Reflow Condition	28
17.2	Reflow Profile	28
18.	Package Dimensions	29
19.	Major Changes	30

Figures

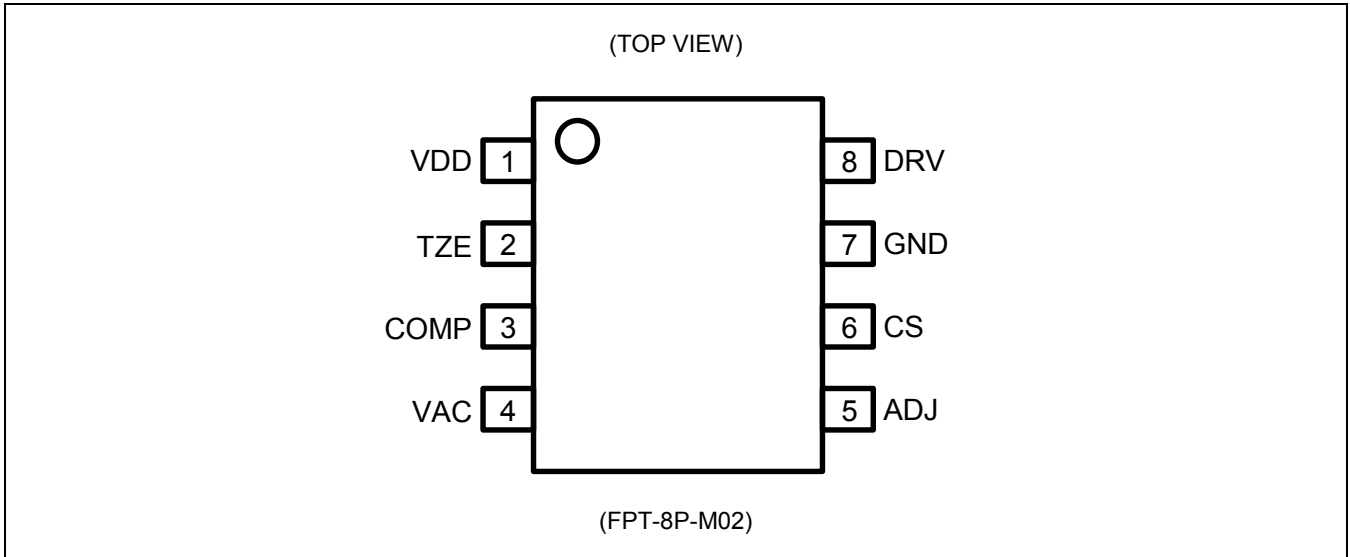
Figure 4-1 Pin Assignment	6
Figure 6-1 Block Diagram (Isolated Flyback Application)	7
Figure 7-1 Power Dissipation	8
Figure 10-1 Standard Characteristics	12
Figure 11-1 LED Current Control Waveform.....	13
Figure 11-2 VAC Pin Input Circuit.....	14
Figure 11-3 VDD Supply Path at Power-On	15
Figure 11-4 Power-On Waveform	15
Figure 11-5 Power-Off Waveform	16
Figure 12-1 I/O Pin Equivalent Circuit Diagram.....	18
Figure 13-1 5W EVB Schematic.....	20
Figure 13-2 5W Reference Data.....	22
Figure 16-1 Marking Format	27
Figure 17-1 Reflow Profile.....	28

Tables

Table 5-1 Pin Descriptions.....	6
Table 7-1 Absolute Maximum Rating	8
Table 8-1 Recommended Operating Conditions.....	9
Table 9-1 Electrical Characteristics	10
Table 11-1 Protection Functions Table.....	17
Table 13-1 5W BOM List	21
Table 15-1 Ordering Information.....	26
Table 17-1 Recommended Reflow Condition	28

4. Pin Assignment

Figure 4-1 Pin Assignment



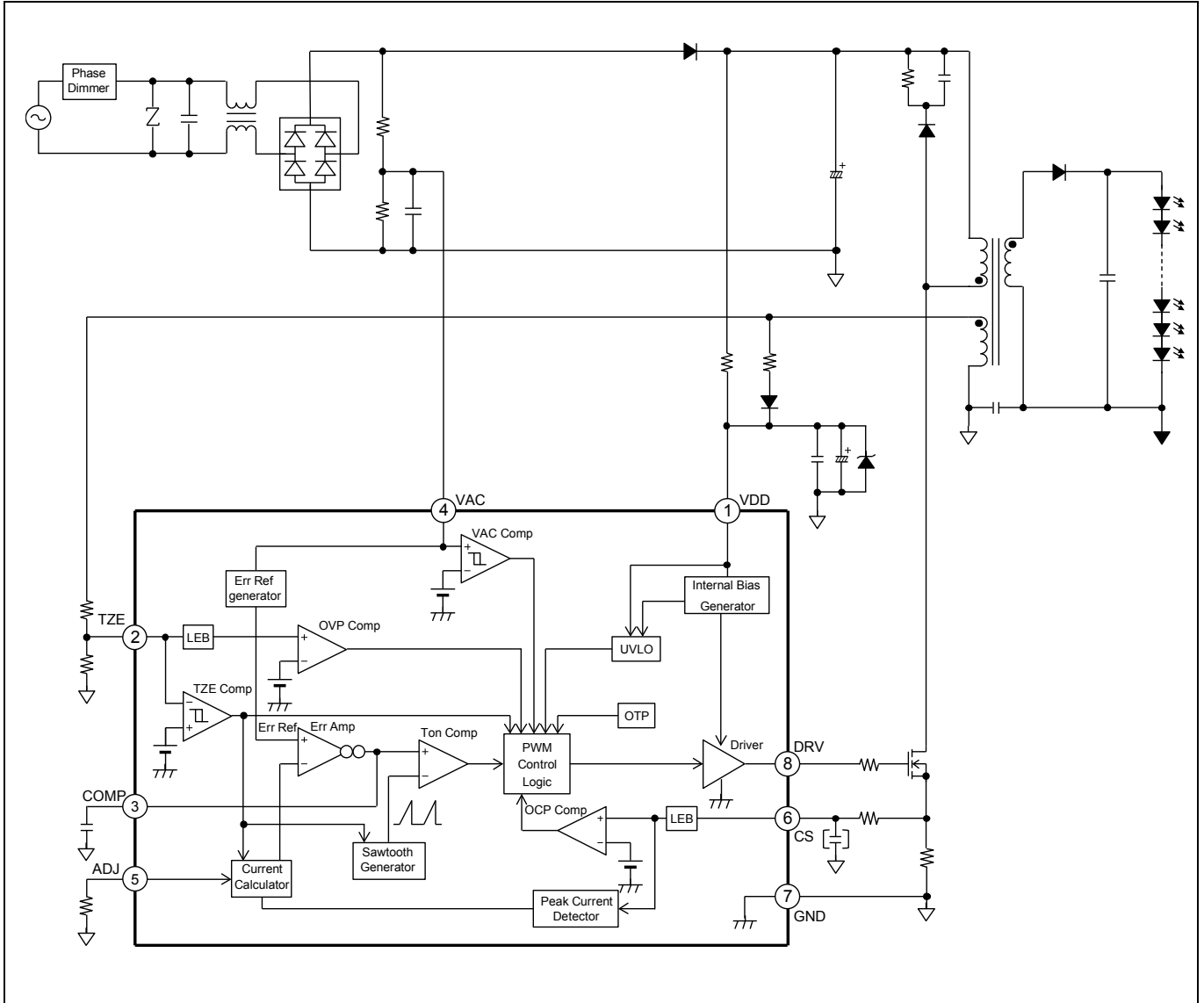
5. Pin Descriptions

Table 5-1 Pin Descriptions

Pin No.	Pin Name	I/O	Description
1	VDD	-	Power supply pin.
2	TZE	I	Transformer Zero Energy detecting pin.
3	COMP	O	External Capacitor connection pin for the compensation.
4	VAC	I	Phase dimming control pin.
5	ADJ	O	Pin for adjusting the switch-on timing.
6	CS	I	Pin for detecting peak current of transformer primary winding.
7	GND	-	Ground pin.
8	DRV	O	External MOSFET gate connection pin.

6. Block Diagram

Figure 6-1 Block Diagram (Isolated Flyback Application)



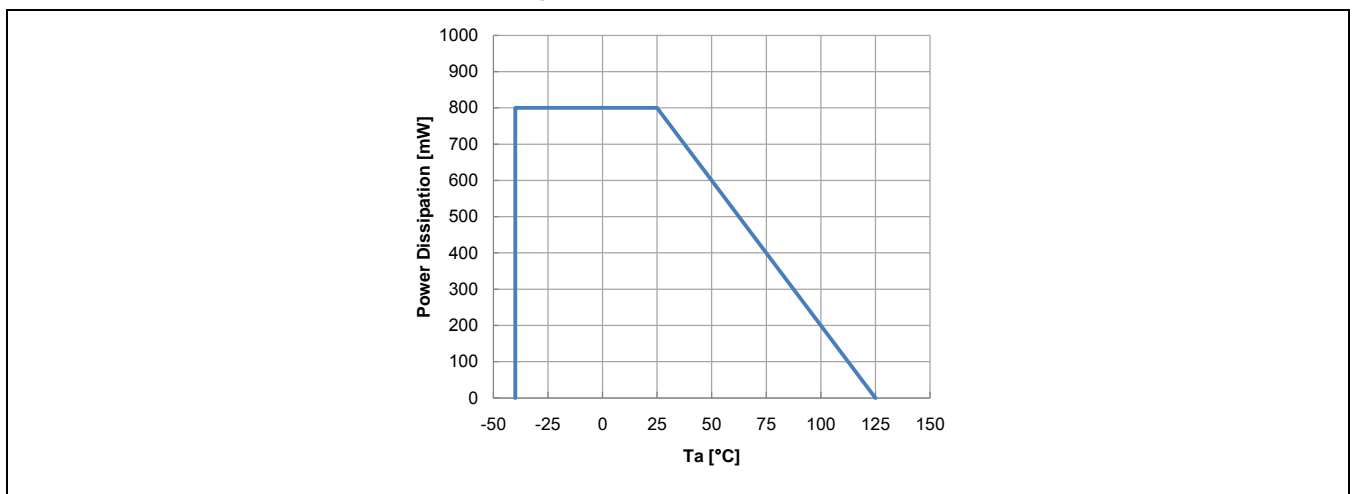
7. Absolute Maximum Ratings

Table 7-1 Absolute Maximum Rating

Parameter	Symbol	Condition	Rating		Unit
			Min	Max	
Power Supply Voltage	V_{VDD}	VDD pin	-0.3	+25	V
Input Voltage	V_{CS}	CS pin	-0.3	+6.0	V
	V_{TZE}	TZE pin	-0.3	+6.0	V
	V_{VAC}	VAC pin	-0.3	+6.0	V
Output Voltage	V_{DRV}	DRV pin	-0.3	+25	V
Output Current	I_{ADJ}	ADJ pin	-1	-	mA
	I_{DRV}	DRV pin DC level	-50	+50	mA
Power Dissipation	P_D	$T_a \leq +25^\circ\text{C}$	-	800 (*1)	mW
Storage temperature	T_{STG}	-	-55	+125	$^\circ\text{C}$
ESD Voltage 1	V_{ESDH}	Human Body Model	-2000	+2000	V
ESD Voltage 2	V_{ESDC}	Charged Device Model	-1000	+1000	V

*1: The value when using two layers PCB.
Reference: θ_{ja} (wind speed 0m/s): $+125^\circ\text{C/W}$

Figure 7-1 Power Dissipation



WARNING:

1. Semiconductor devices may be permanently damaged by application of stress (including, without limitation, voltage, current or temperature) in excess of absolute maximum ratings. Do not exceed any of these ratings.

8. Recommended Operating Conditions

Table 8-1 Recommended Operating Conditions

Parameter	Symbol	Condition	Value			Unit
			Min	Typ	Max	
VDD pin Input Voltage	VDD	VDD pin	9	-	20	V
VAC pin Input Voltage	V _{VAC}	VAC pin After UVLO release	0	-	5	V
VAC pin Input Current	I _{VAC}	VAC pin Before UVLO release	0	-	2.5	μA
TZE pin Resistance	R _{TZE}	TZE pin	50	-	200	kΩ
ADJ pin Resistance	R _{ADJ}	ADJ pin	9.3	-	185.5	kΩ
COMP pin Capacitance	C _{COMP}	COMP pin	-	0.01	-	μF
VDD pin Capacitance	C _{BP}	Set between VDD pin and GND pin	-	4.7	-	μF
Operating Junction Temperature	T _j	-	-40	-	+125	°C

WARNING:

1. The recommended operating conditions are required in order to ensure the normal operation of the semiconductor device. All of the device's electrical characteristics are warranted when the device is operated under these conditions.
2. Any use of semiconductor devices will be under their recommended operating condition.
3. Operation under any conditions other than these conditions may adversely affect reliability of device and could result in device failure.
4. No warranty is made with respect to any use, operating conditions or combinations not represented on this data sheet. If you are considering application under any conditions other than listed herein, please contact sales representatives beforehand.

9. Electrical Characteristics

Table 9-1 Electrical Characteristics

(Ta = +25°C, V_{VDD} = 12V)

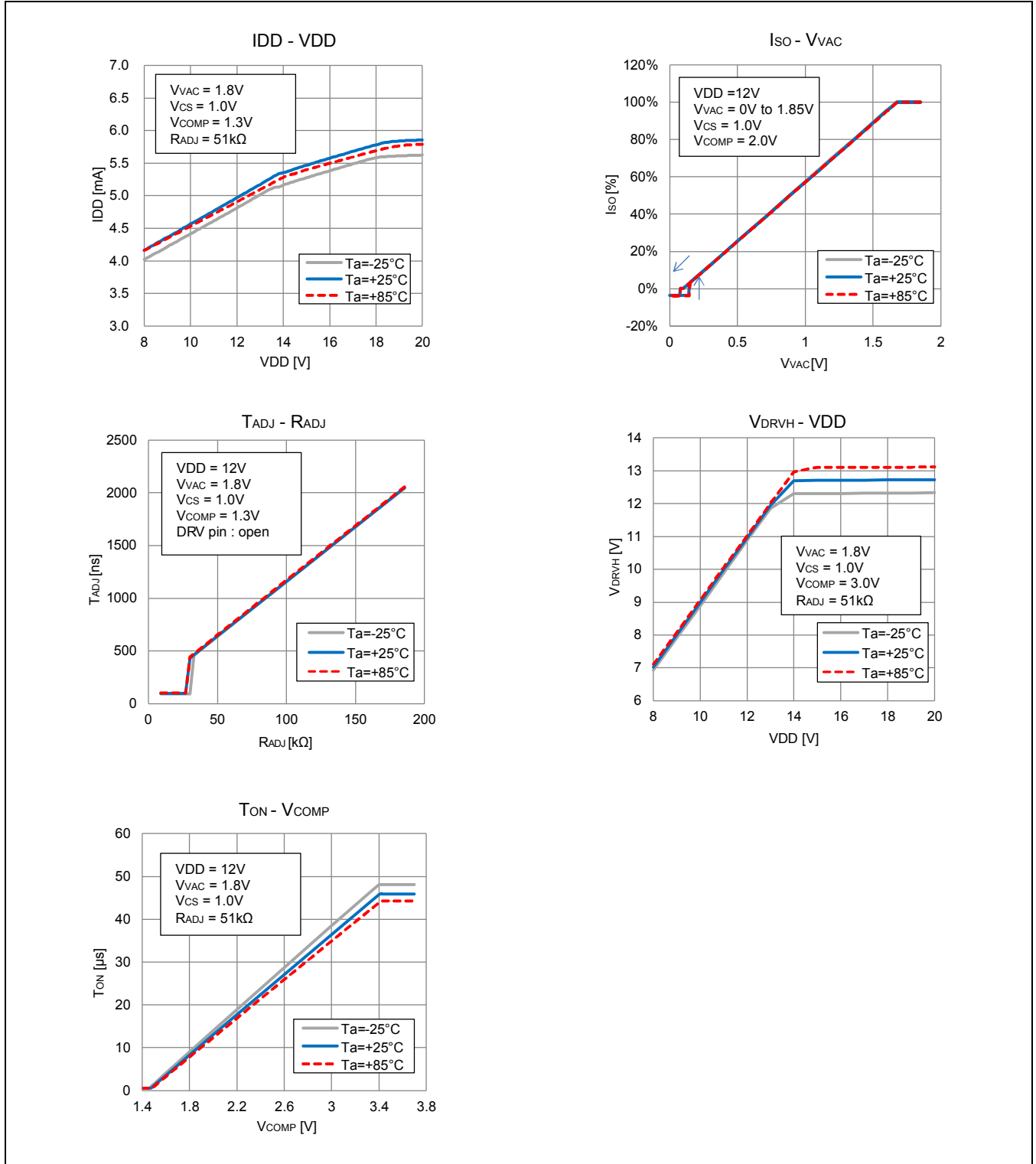
Parameter		Symbol	Pin	Condition	Value			Unit
					Min	Typ	Max	
POWER SUPPLY CURRENT	Power supply current	I _{VDD(STATIC)}	VDD	V _{VDD} = 20V, V _{TZE} = 1V	-	3	3.6	mA
		I _{VDD(OPERATING)}	VDD	V _{VDD} = 20V, Q _g = 20 nC, f _{SW} = 133 kHz	-	5.6	-	mA
UVLO	UVLO Turn-on threshold voltage	V _{TH}	VDD	-	12.25	13	13.75	V
	UVLO Turn-off threshold voltage	V _{TL}	VDD	-	7.55	7.9	8.5	V
	Startup current	I _{START}	VDD	V _{VDD} = 7V	-	65	160	μA
TRANSFORMER ZERO ENERGY DETECTION	Zero energy threshold voltage	V _{TZETL}	TZE	TZE = "H" to "L"	-	20	-	mV
	Zero energy threshold voltage	V _{TZETH}	TZE	TZE = "L" to "H"	0.6	0.7	0.8	V
	TZE clamp voltage	V _{TZECLAMP}	TZE	I _{TZE} = -10 μA	-200	-160	-100	mV
	OVP threshold voltage	V _{TZEOVP}	TZE	-	4.15	4.3	4.45	V
	OVP blanking time	t _{OVPBLANK}	TZE	-	0.6	1	1.7	μs
	TZE input current	I _{TZE}	TZE	V _{TZE} = 5V	-1	-	+1	μA
COMPENSATION	Source current	I _{SO}	COMP	V _{COMP} = 2V, V _{CS} = 0V, V _{VAC} = 1.85V	-	-27	-	μA
	Trans conductance	gm	COMP	V _{COMP} = 2.5V, V _{CS} = 1V	-	96	-	μA/V
DIMMING	VAC input current	I _{VAC}	VAC	V _{VAC} = 5V	-0.1	-	+0.1	μA
	VACCOMP threshold voltage	V _{VACCOMPVTH}	VAC	-	135	150	165	mV
	VACCOMP hysteresis	V _{VACCOMPVHYS}	VAC	-	-	70	-	mV
ADJUSTMENT	ADJ voltage	V _{ADJ}	ADJ	-	1.81	1.85	1.89	V
	ADJ source current	I _{ADJ}	ADJ	V _{ADJ} = 0V	-650	-450	-250	μA
	ADJ time	T _{ADJ}	TZE DRV	T _{ADJ} (R _{ADJ} = 51 kΩ) - T _{ADJ} (R _{ADJ} = 9.1 kΩ)	490	550	610	ns
	Minimum switching period	T _{SW}	TZE DRV	-	6.75	7.5	8.25	μs

(Ta = +25°C, V_{VDD} = 12V)

Parameter		Symbol	Pin	Condition	Value			Unit
					Min	Typ	Max	
CURRENT SENSE	OCP threshold voltage	V _{OCPH}	CS	-	1.9	2	2.1	V
	OCP delay time	t _{OCPDLY}	CS	-	-	400	500	ns
	CS input current	I _{CS}	CS	V _{CS} = 5V	-1	-	+1	μA
DRV	DRV high voltage	V _{DRVH}	DRV	VDD = 18V, I _{DRV} = -30 mA	7.6	9.4	-	V
	DRV low voltage	V _{DRVL}	DRV	VDD = 18V, I _{DRV} = 30 mA	-	130	260	mV
	Rise time	t _{RISE}	DRV	VDD = 18V, CLOAD = 1 nF	-	94	-	ns
	Fall time	t _{FALL}	DRV	VDD = 18V, CLOAD = 1 nF	-	16	-	ns
	Minimum on time	t _{ONMIN}	DRV	TZE trigger	300	500	700	ns
	Maximum on time	t _{ONMAX}	DRV	-	27	44	60	μs
	Minimum off time	t _{OFFMIN}	DRV	-	1	1.5	1.93	μs
	Maximum off time	t _{OFFMAX}	DRV	TZE = GND	270	320	370	μs
OTP	OTP threshold	T _{OTP}	-	T _j , temperature rising	-	+150	-	°C
	OTP hysteresis	T _{OTPHYS}	-	T _j , temperature falling, degrees below T _{OTP}	-	+25	-	°C

10. Standard Characteristics

Figure 10-1 Standard Characteristics



11. Function Explanations

11.1 LED Current Control by PSR (Primary Side Regulation)

MB39C605 regulates the average LED current (I_{LED}) by feeding back the information based on Primary Winding peak current (I_{P_PEAK}) and Secondary Winding energy discharge time (T_{DIS}) and switching period (T_{SW}). Figure 11-1 shows the operating waveform in steady state. I_P is Primary Winding current and I_S is Secondary Winding current. I_{LED} as an average current of the Secondary Winding is described by the following equation.

$$I_{LED} = \frac{1}{2} \times I_{S_PEAK} \times \frac{T_{DIS}}{T_{SW}}$$

Using I_{P_PEAK} and the transformer Secondary to Primary turns ratio (N_P/N_S), Secondary Winding peak current (I_{S_PEAK}) is described by the following equation.

$$I_{S_PEAK} = \frac{N_P}{N_S} \times I_{P_PEAK}$$

Therefore,

$$I_{LED} = \frac{1}{2} \times \frac{N_P}{N_S} \times I_{P_PEAK} \times \frac{T_{DIS}}{T_{SW}}$$

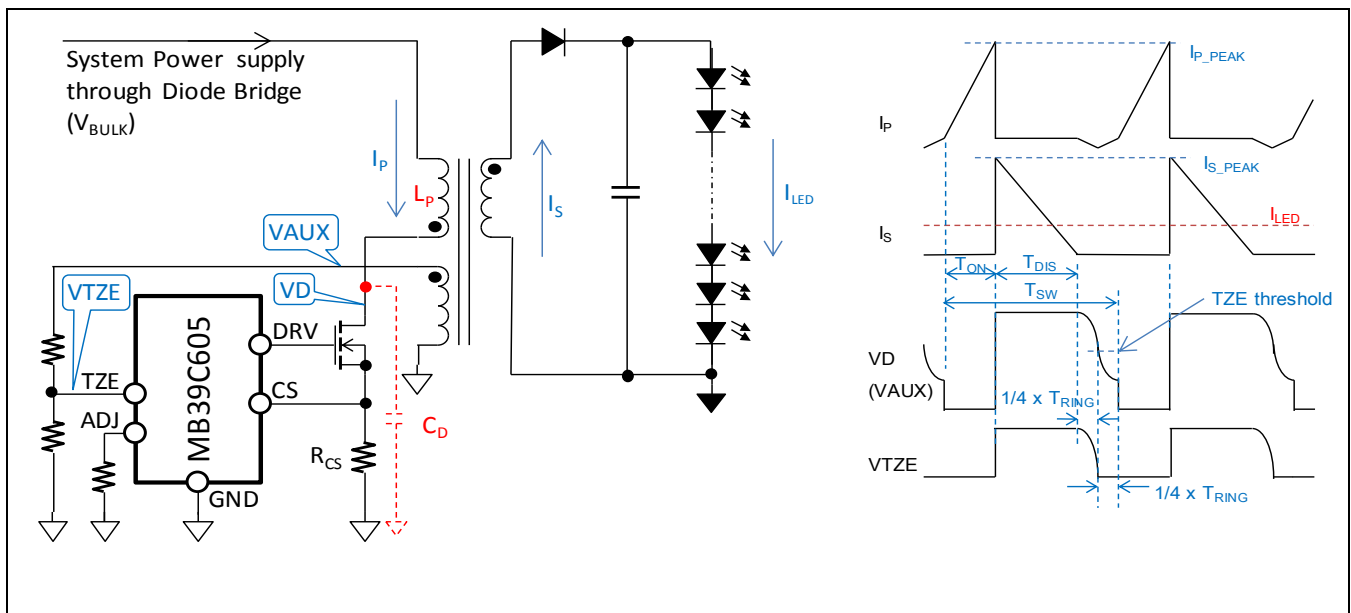
MB39C605 detects T_{DIS} by monitoring TZE pin and I_{P_PEAK} by monitoring CS pin. An internal Err Amp sinks gm current proportional to I_{P_PEAK} from COMP pin during T_{DIS} period. In steady state, since the average of the gm current is equal to internal reference current (I_{SO}), the voltage on COMP pin (V_{COMP}) is nearly constant.

$$I_{P_PEAK} \times R_{CS} \times gm \times T_{DIS} = I_{SO} \times T_{SW}$$

In above equation, gm is transconductance of the Err Amp and R_{CS} is a sense resistance. Eventually, I_{LED} can be calculated by the following equation.

$$I_{LED} = \frac{1}{2} \times \frac{N_P}{N_S} \times \frac{I_{SO}}{gm} \times \frac{1}{R_{CS}}$$

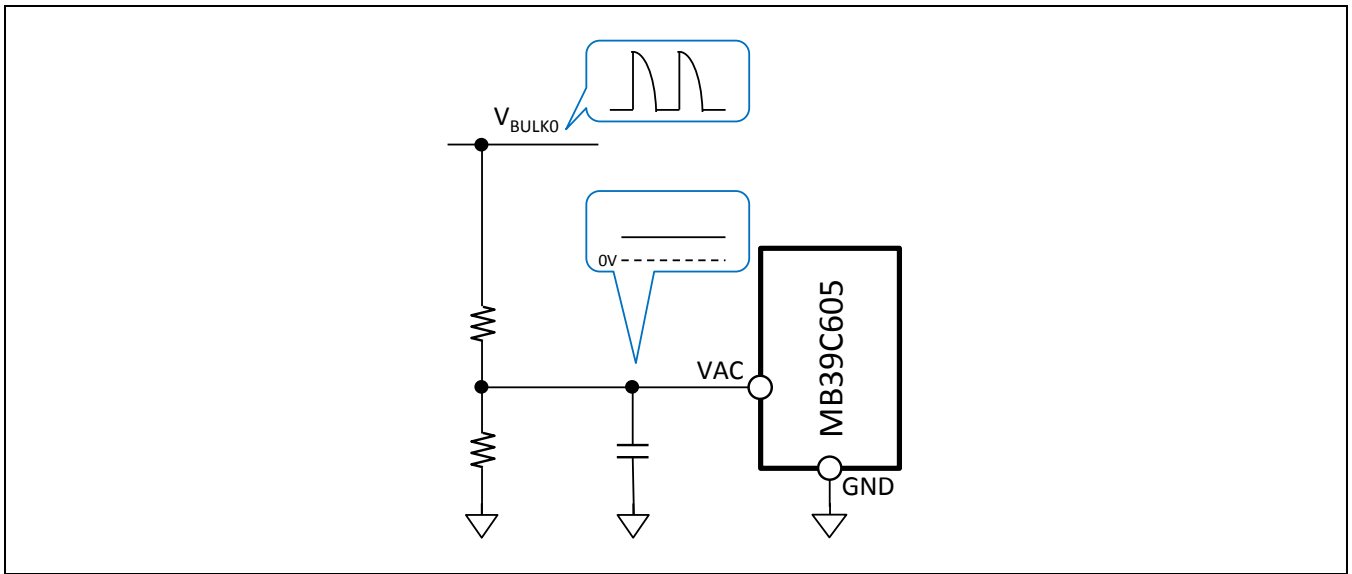
Figure 11-1 LED Current Control Waveform



11.2 Dimming Function

MB39C605 has the built-in Phase dimmable circuit to control I_{LED} by changing a reference of Err Amp based on the input dimming control level on the VAC pin and realizes dimming. Figure 11-2 shows the input circuit to the VAC pin for phase dimming. V_{BULK0} is divided and filtered into an analog voltage with RC network. It is possible to configurate phase dimmable system by inputting the voltage to the VAC pin.

Figure 11-2 VAC Pin Input Circuit



11.3 Power-On Sequence

When the AC line voltage is supplied, V_{BULK} is powered from the AC line through a diode bridge and a diode (D1) with charging a capacitor (C_{BULK}), and the VDD pin is charged from V_{BULK} through a start-up resistance (Rst). (Figure 11-3 red path)

When the VDD pin is charged up and the voltage on the VDD pin (V_{VDD}) rises above the UVLO threshold voltage, an internal Bias circuit starts operating, and MB39C605 starts the dimming control. After the UVLO is released, this device enables switching and is operating in a forced switching mode ($T_{ON}=1.5\mu s$, $T_{OFF}=78\mu s$ to $320\mu s$). When the voltage on the TZE pin reaches the Zero energy threshold voltage ($V_{TZETH}=0.7V$), MB39C605 enters normal operation mode. After the switching begins, the VDD pin is also charged from Auxiliary Winding through an external diode (DBIAS). (Figure 11-3 blue path)

During start-up period V_{VDD} is not supplied from Auxiliary Winding, because the LED voltage is low. V_{VDD} decreases gradually until the LED voltage rises above enough high that the Auxiliary Winding voltage can exceed V_{VDD} . In this period, if V_{VDD} falls below the UVLO threshold voltage, the switching stops. When the VDD pin is charged up again and V_{VDD} rises above the UVLO threshold voltage, MB39C605 restarts the switching. This device repeats above operation until the LED voltage rises above enough high. V_{VDD} becomes stable after that.

Figure 11-3 VDD Supply Path at Power-On

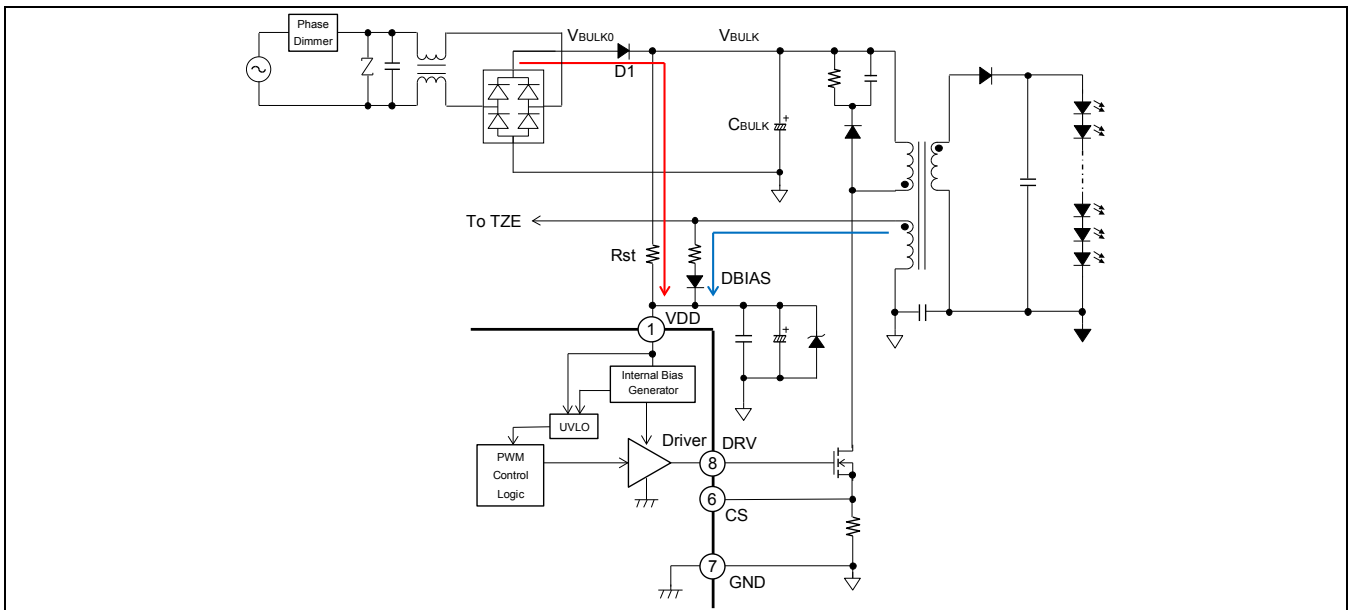
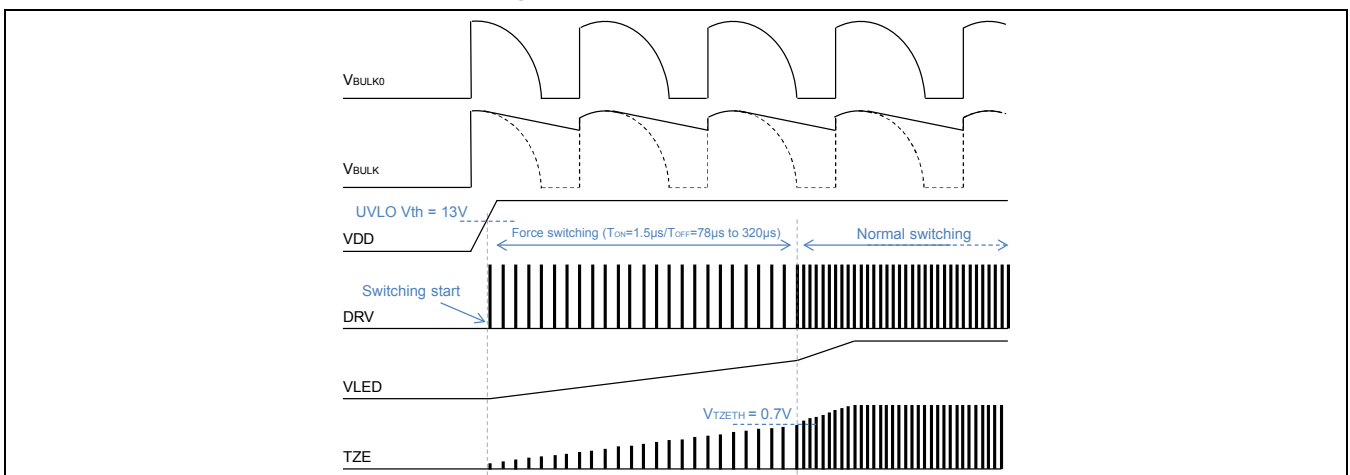


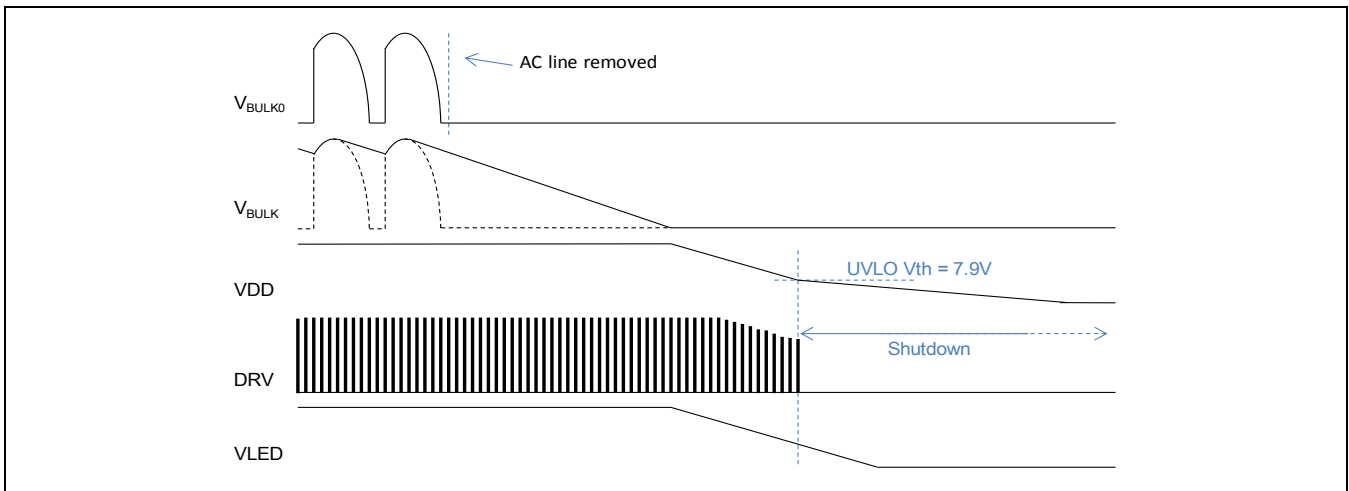
Figure 11-4 Power-On Waveform



11.4 Power-Off Sequence

After the AC line voltage is removed, V_{BULK} is discharged by switching operation. Since any Secondary Winding current does not flow, I_{LED} is supplied only from output capacitors and decreases gradually. V_{VDD} also decreases because there is no current supply from both Auxiliary Winding and V_{BULK} . When V_{VDD} falls below the UVLO threshold voltage, MB39C605 shuts down.

Figure 11-5 Power-Off Waveform



11.5 I_{P_PEAK} Detection Function

MB39C605 detects Primary Winding peak current (I_{P_PEAK}) of Transformer. I_{LED} is set by connecting a sense resistance (R_{CS}) between CS pin and GND pin. Maximum I_{P_PEAK} ($I_{P_PEAKMAX}$) limited by Over Current Protection (OCP) can also be set with the resistance.

Using the Secondary to Primary turns ratio (N_P/N_S) and I_{LED} , R_{CS} is set as the following equation (refer to 11.1)

$$R_{CS} = \frac{N_P}{N_S} \times \frac{0.14}{I_{LED}}$$

In addition, using the OCP threshold voltage ($V_{OCP_{TH}}$) and R_{CS} , $I_{P_PEAKMAX}$ is calculated with the following equation.

$$I_{P_PEAKMAX} = \frac{V_{OCP_{TH}}}{R_{CS}}$$

11.6 Zero Voltage Switching Function

MB39C605 has built-in zero voltage switching function to minimize switching loss of the external switching MOSFET. This device detects a zero crossing point through a resistor divider connected from TZE pin to Auxiliary Winding. A zero energy detection circuit detects a negative crossing point of the voltage on TZE pin to Zero energy threshold voltage (V_{TZETL}). On-timing of switching MOSFET is decided with waiting an adjustment time (t_{ADJ}) after the negative crossing occurs.

t_{ADJ} is set by connecting an external resistance (R_{ADJ}) between ADJ pin and GND pin. Using Primary Winding inductance (L_P) and the parasitic drain capacitor of switching MOSFET (C_D), t_{ADJ} is calculated with the following equation.

$$t_{ADJ} = \frac{\pi \sqrt{L_P \times C_D}}{2}$$

Using t_{ADJ} , R_{ADJ} is expressed by the following calculation.

$$R_{ADJ} [k\Omega] = 0.0927 \times t_{ADJ} [ns]$$

11.7 Protection Functions

Under Voltage Lockout Protection (UVLO)

The under voltage lockout protection (UVLO) prevents IC from a malfunction in the transient state during V_{VDD} startup and a malfunction caused by a momentary drop of V_{VDD} , and protects the system from destruction/deterioration. An UVLO comparator detects the voltage decrease below the UVLO threshold voltage on VDD pin, and then DRV pin is turned to “L” and the switching stops. MB39C605 automatically returns to normal operation mode when V_{VDD} increases above the UVLO threshold voltage.

Over Voltage Protection (OVP)

The over voltage protection (OVP) protects Secondary side components from an excessive voltage stress. If the LED is disconnected, the output voltage of Secondary Winding rises up. The output overvoltage can be detected by monitoring TZE pin. During Secondary Winding energy discharge time, V_{TZE} is proportional to V_{AUX} and the voltage of Secondary Winding (refer to 11.1). When V_{TZE} rises higher than the OVP threshold voltage for 3 continues switching cycles, DRV pin is turned to “L”, and the switching stops (latch off). When V_{VDD} drops below the UVLO threshold voltage, the latch is removed.

Over Current Protection (OCP)

The over current protection (OCP) prevents inductor or transformer from saturation. The drain current of the external switching MOSFET is limited by OCP. When the voltage on CS pin reaches the OCP threshold voltage, DRV pin is turned to “L” and the switching cycle ends. After zero crossing is detected on TZE pin again, DRV pin is turned to “H” and the next switching cycle begins.

Short Circuit Protection (SCP)

The short circuit protection (SCP) protects the transformer and the Secondary side diode from an excessive current stress. When the short circuit between LED terminals occurs, output voltage decreases. If the voltage on TZE pin falls below SCP threshold voltage, V_{COMP} is discharged and fixed at 1.5V and then the switching enters a low frequency mode. ($T_{ON}=1.5\mu s / T_{OFF}=78\mu s$ to $320\mu s$)

Over Temperature Protection (OTP)

The over temperature protection (OTP) protects IC from thermal destruction. When the junction temperature reaches $+150^{\circ}C$, DRV pin is turned to “L”, and the switching stops. It automatically returns to normal operation mode if the junction temperature falls back below $+125^{\circ}C$.

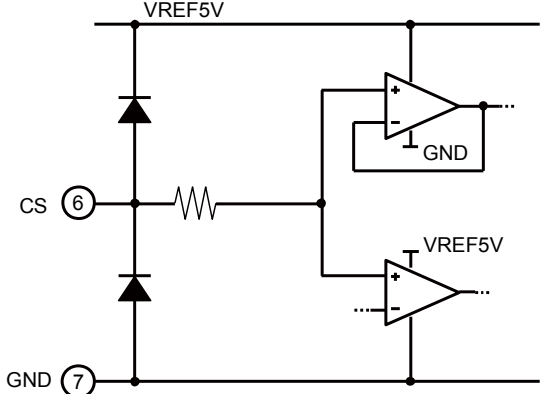
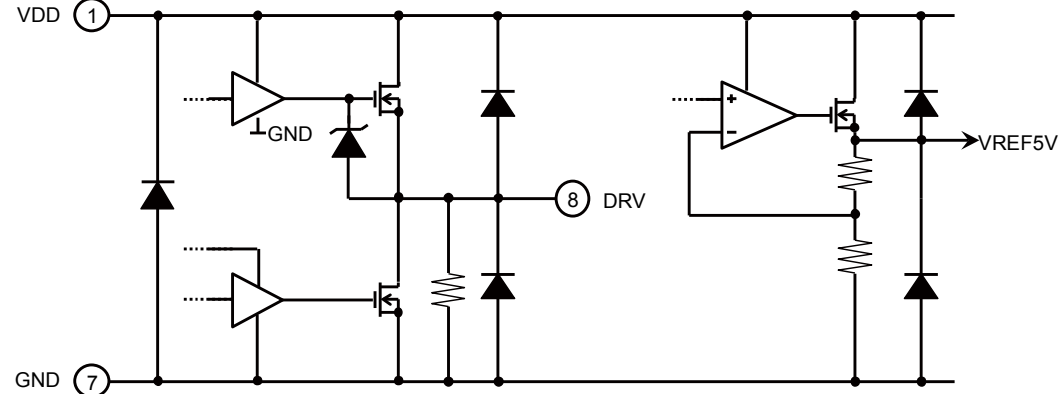
Table 11-1 Protection Functions Table

Function	PIN Operation			Detection Condition	Return Condition	Remarks
	DRV	COMP	ADJ			
Normal Operation	Active	Active	Active	-	-	-
Under Voltage Lockout Protection (UVLO)	L	L	L	$V_{DD} < 7.9V$	$V_{DD} > 13V$	Auto Restart
Over Voltage Protection (OVP)	L	1.5V fixed	Active	$TZE > 4.3V$	$V_{DD} < 7.9V$ → $V_{DD} > 13V$	Latch off
Over Current Protection (OCP)	L	Active	Active	$CS > 2V$	Cycle by cycle	Auto Restart
Short Circuit Protection (SCP)	Active	1.5V fixed	Active	$TZE (peak) < 0.7V$	$TZE (peak) > 0.7V$	Auto Restart
Over Temperature Protection (OTP)	L	1.5V fixed	Active	$T_j > +150^{\circ}C$	$T_j < +125^{\circ}C$	Auto Restart

12. I/O Pin Equivalent Circuit Diagram

Figure 12-1 I/O Pin Equivalent Circuit Diagram

Pin No.	Pin Name	Equivalent Circuit Diagram
2	TZE	
3	COMP	
4	VAC	
5	ADJ	

Pin No.	Pin Name	Equivalent Circuit Diagram
6	CS	
8	DRV	

13. Application Examples

5W Non-isolated Dimming Application

Input: AC90V_{RMS}~110V_{RMS}, Output: 70mA/70V~76V, Ta = +25°C

Figure 13-1 5W EVB Schematic

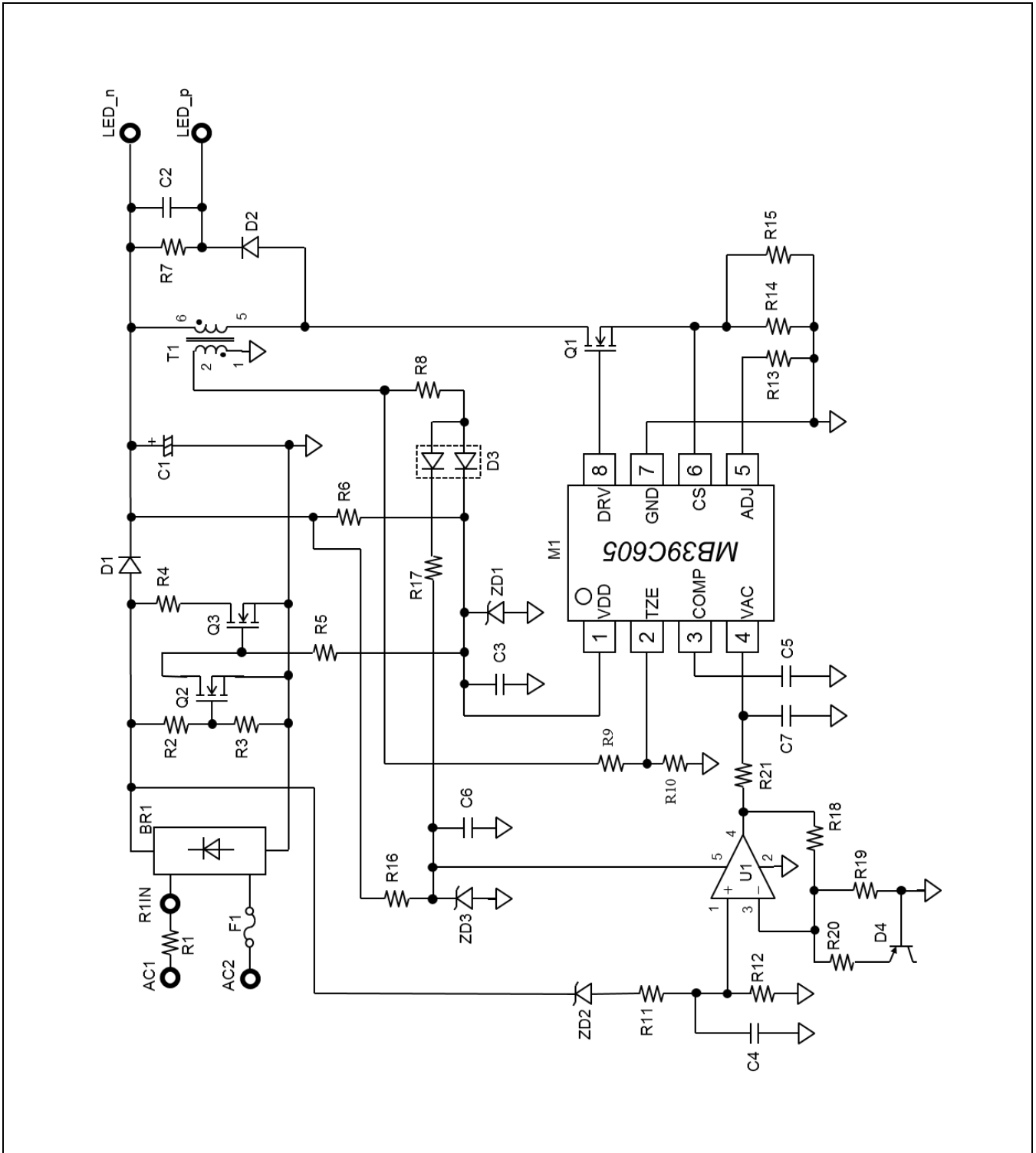
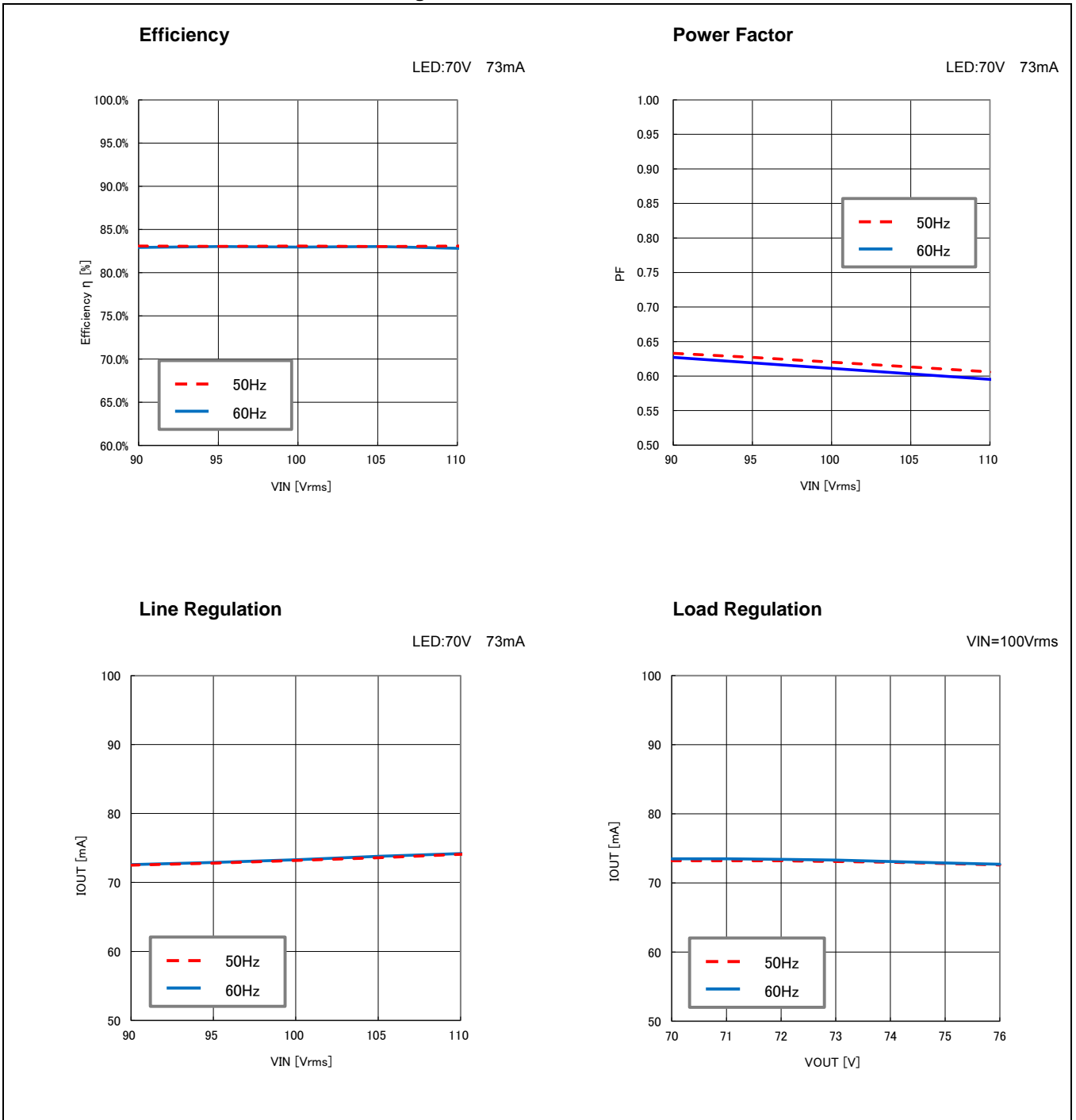


Table 13-1 5W BOM List

No.	Component	Description	Part No.	Vendor
1	M1	LED driver IC SOP-8	MB39C605	Spansion
2	U1	Op-Amp, Low voltage Rail-to-Rail, 130 μ A, SOT-23-5	LMV321	TI
3	T1	Transformer, Lp=550 μ H Np/Na=150/35	EE808	-
4	Q1	MosFET N-CH 600V 2.8A I-PAK	FQU5N60C	Fairchild
5	Q2	MosFET N-CH 60V 115mA SOT-23	2N7002	Fairchild
6	Q3	MosFET N-CH 600V 0.3A TO-92	FQN1N60C	Fairchild
7	BR1	Bridge Rectifiers, 0.5A, 600V, SOIC-4	MB6S	Fairchild
8	ZD1, ZD2	Diode, Zener, 18V, 500mW, SOD-123	MMSZ5248B	Fairchild
9	ZD3	Diode, Zener, 5.1V, 500mW, SOD-123	MMSZ4689	Fairchild
10	D1, D2	Diode, fast rectifier, 1A, 400V, SMA	ES1G	Fairchild
11	D3	Diode, 200mA, 200V, SOT-23	MMBD1405	Fairchild
12	D4	PNP Bipolar Transistor 12V 3A CPH3	CPH3106	On semiconductor
13	F1	Fuse, chip, 2A, AC/DC125V, 1206	3410.0035.01	Schurter Inc
14	C1	Capacitor, aluminum electrolytic, 8.2 μ F 200V ϕ 8.0 \times 11.0	200LLE8R2MEFC8X9	Rubycon
15	C2	Capacitor Ceramic 2.2 μ F 100V 1206	GRM31CR72A225KA73L	murata
16	C3	Capacitor Ceramic 4.7 μ F 35V 0603	-	-
17	C4, C7	Capacitor Ceramic 10 μ F 25V 0603	-	-
18	C5	Capacitor Ceramic 0.01 μ F 50V 0603	-	-
19	C6	Capacitor Ceramic 0.1 μ F 50V 0603	-	-
20	R1	Resistor, winding 10 Ω 3W \pm 5%	-	-
21	R2, R11	Resistor, chip, 240k Ω , 1/10W, 0603	-	-
22	R3	Resistor, chip, 10k Ω , 1/10W, 0603	-	-
23	R4	Resistor, chip, 2k Ω , 1/4W, 1206	-	-
24	R5	Resistor, chip, 470k Ω , 1/10W, 0603	-	-
25	R6	Resistor, chip, 200k Ω 1/4W, 1206	-	-
26	R7	Resistor, chip, 100k Ω , 1/10W, 0603	-	-
27	R8	Resistor, chip, 10 Ω , 1/10W, 0603	-	-
28	R9	Resistor, chip, 110k Ω , 1/10W, 0603	-	-
29	R10	Resistor, chip, 30k Ω , 1/10W, 0603	-	-
30	R12	Resistor, chip, 3.0k Ω , 1/10W, 0603	-	-
31	R13	Resistor, chip, 24k Ω , 1/10W, 0603	-	-
32	R14	Resistor, chip, 3.3 Ω , 1/10W, 0603	-	-
33	R15	Resistor, chip, 4.7 Ω , 1/10W, 0603	-	-
34	R16	Resistor, chip, 150k Ω 1/4W, 1206	-	-
35	R17	Resistor, chip, 5.1k Ω , 1/10W, 0603	-	-
36	R18	Resistor, chip, 36k Ω , 1/10W, 0603	-	-
37	R19	Resistor, chip, 150k Ω , 1/10W, 0603	-	-
38	R20	Resistor, chip, 3.3k Ω , 1/10W, 0603	-	-
39	R21	Resistor, chip, 1k Ω , 1/10W, 0603	-	-

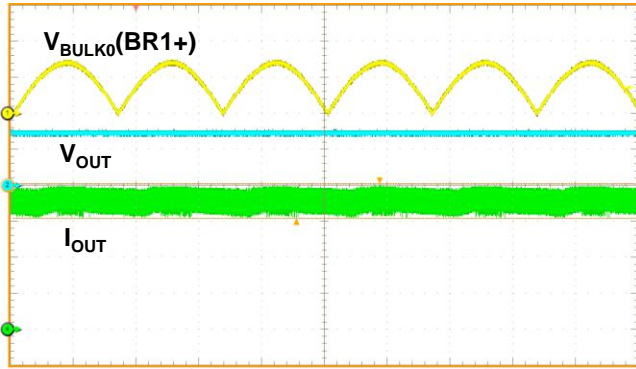
Spansion : Spansion Inc.
 TI : Texas Instruments Incorporated
 Fairchild : Fairchild Semiconductor International, Inc.
 On Semiconductor : ON Semiconductor
 Schurter Inc : Schurter Holding AG
 Rubycon : Rubycon Corporation
 muRata : Murata Manufacturing Co., Ltd.

Figure 13-2 5W Reference Data



Output Ripple Waveform

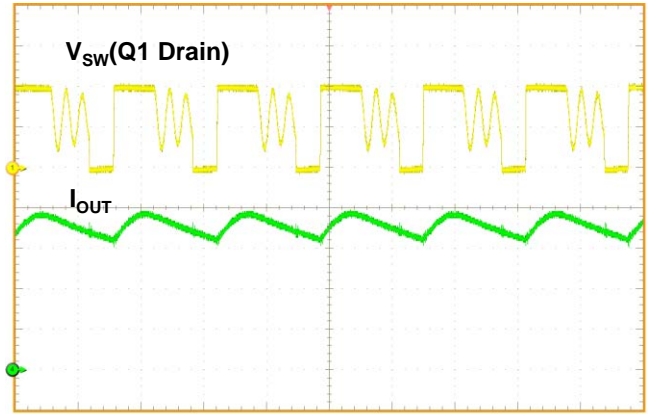
$V_{IN}=100V_{RMS} / 60Hz$
LED:70V 73mA



Value	Mean	Min	Max	St Dev	Count	Info
C4 - Pk-Pk*	19.2mA	18.900001m	18.4m	20.0m	527.9j	32.0

Switching Waveform

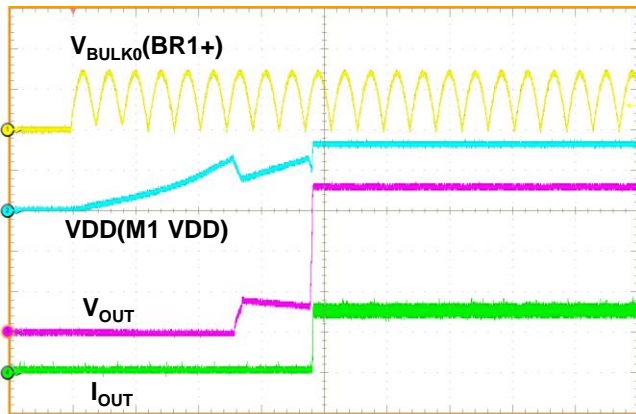
$V_{IN}=100V_{RMS} / 60Hz$
LED:70V 73mA



Value	Mean	Min	Max	St Dev	Count	Info
C4 - Pk-Pk*	19.2mA	18.900001m	18.4m	20.0m	527.9j	32.0

Turn-On Waveform

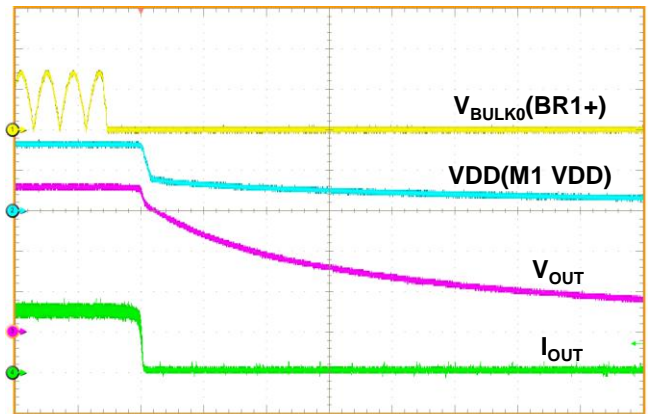
$V_{IN}=100V_{RMS} / 60Hz$
LED:70V 73mA



Value	Mean	Min	Max	St Dev	Count	Info
C4 - Pk-Pk*	19.2mA	18.900001m	18.4m	20.0m	527.9j	32.0

Turn-Off Waveform

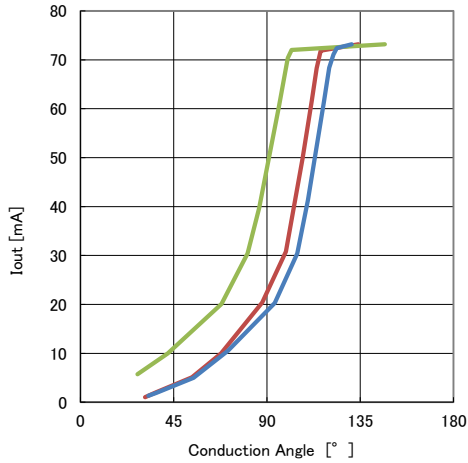
$V_{IN}=100V_{RMS} / 60Hz$
LED:70V 73mA



Value	Mean	Min	Max	St Dev	Count	Info
C4 - Pk-Pk*	19.2mA	18.900001m	18.4m	20.0m	527.9j	32.0

Dimming Curve

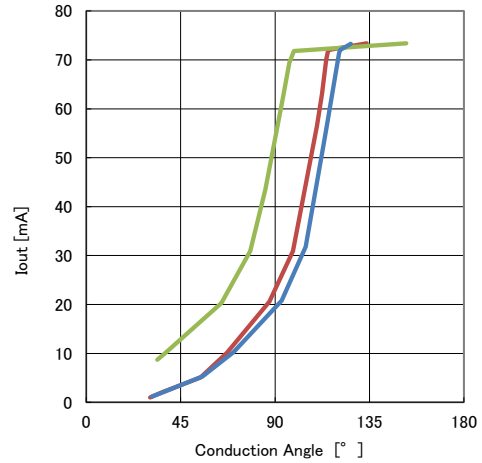
$V_{IN}=100V_{RMS} / 50Hz$
LED:70V 73mA



— : DVCL-123P-JA
— : WTC 57521
— : WDG9001

Dimming Curve

$V_{IN}=100V_{RMS} / 60Hz$
LED:70V 73mA

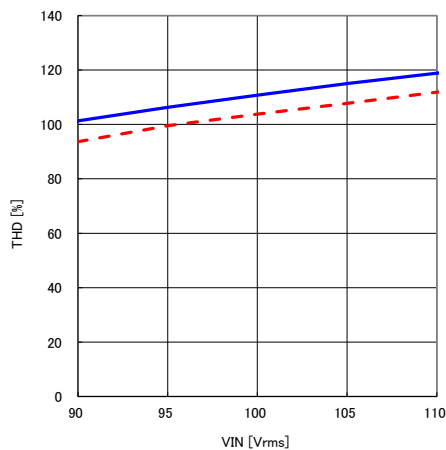


— : DVCL-123P-JA
— : WTC 57521
— : WDG9001

Dimmer		Input Condition	Type	Minimum Angle (°)	Minimum I_{OUT} (mA)	Maximum Angle (°)	Maximum I_{OUT} (mA)
Vendor	Parts Name						
LUTRON	DVCL-123P-JA	$V_{IN}=100V_{rms}$ 50Hz (Japan Dimmer)	Leading Edge	32.8	1.3	130.9	73.2
Panasonic	WTC 57521			31.1	1.0	134.1	73.2
TOSHIBA	WDG9001		Trailing Edge	27.5	5.7	146.9	73.2
LUTRON	DVCL-123P-JA	$V_{IN}=100V_{rms}$ 60Hz (Japan Dimmer)	Leading Edge	31.3	1.2	126.1	73.3
Panasonic	WTC 57521			30.5	1.0	133.7	73.4
TOSHIBA	WDG9001		Trailing Edge	33.9	8.7	152.5	73.4

Total Harmonic Distortion(THD)

LED:70V 73mA



14. Usage Precautions

Do not configure the IC over the maximum ratings.

If the IC is used over the maximum ratings, the LSI may be permanently damaged.

It is preferable for the device to normally operate within the recommended usage conditions. Usage outside of these conditions can have an adverse effect on the reliability of the LSI.

Use the device within the recommended operating conditions.

The recommended values guarantee the normal LSI operation under the recommended operating conditions.

The electrical ratings are guaranteed when the device is used within the recommended operating conditions and under the conditions stated for each item.

Printed circuit board ground lines should be set up with consideration for common impedance.

Take appropriate measures against static electricity.

- Containers for semiconductor materials should have anti-static protection or be made of conductive material.
- After mounting, printed circuit boards should be stored and shipped in conductive bags or containers.
- Work platforms, tools, and instruments should be properly grounded.
- Working personnel should be grounded with resistance of 250 k Ω to 1 M Ω in serial between body and ground.

Do not apply negative voltages.

The use of negative voltages below - 0.3 V may make the parasitic transistor activated to the LSI, and can cause malfunctions.

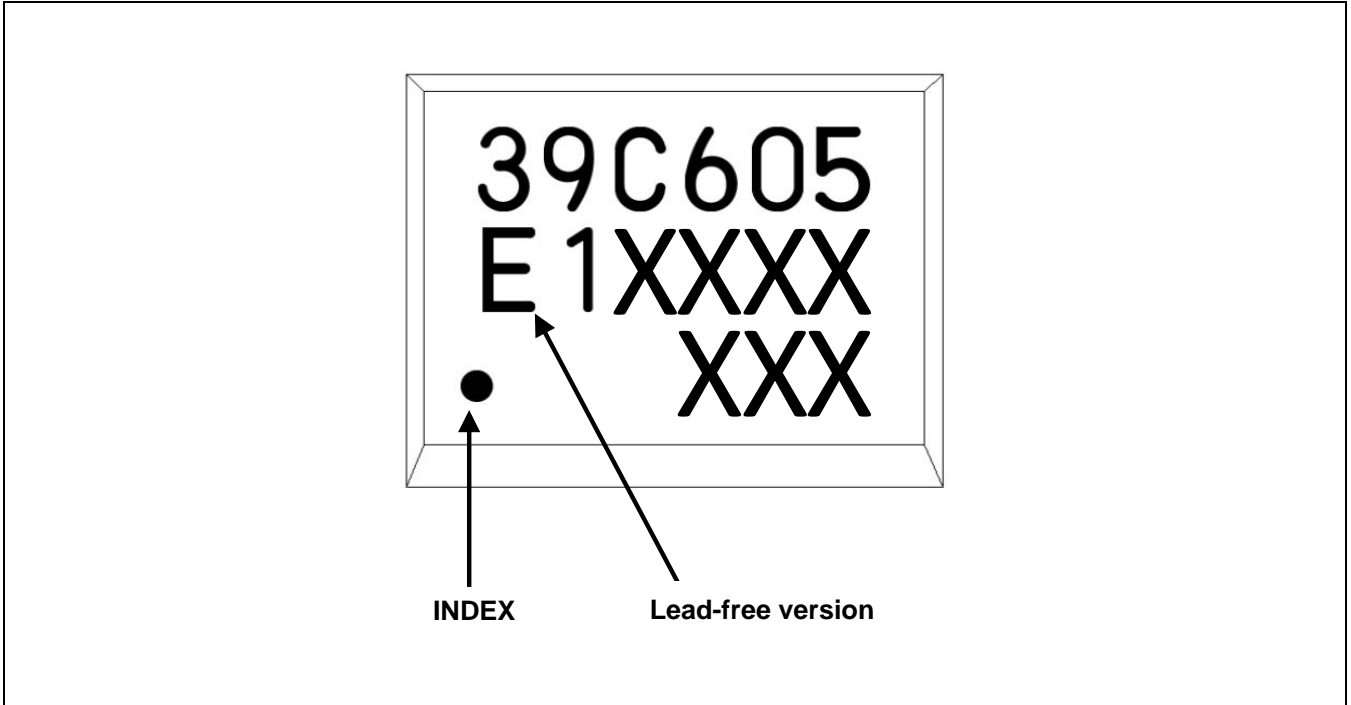
15. Ordering Information

Table 15-1 Ordering Information

Part Number	Package	Shipping Form
MB39C605PNF-G-JNEFE1	8-pin plastic SOP (FPT-8P-M02)	Emboss
MB39C605PNF-G-JNE1		Tube

16. Marking Format

Figure 16-1 Marking Format



17. Recommended Mounting Condition [JEDEC Level3] Lead Free

17.1 Recommended Reflow Condition

Table 17-1 Recommended Reflow Condition

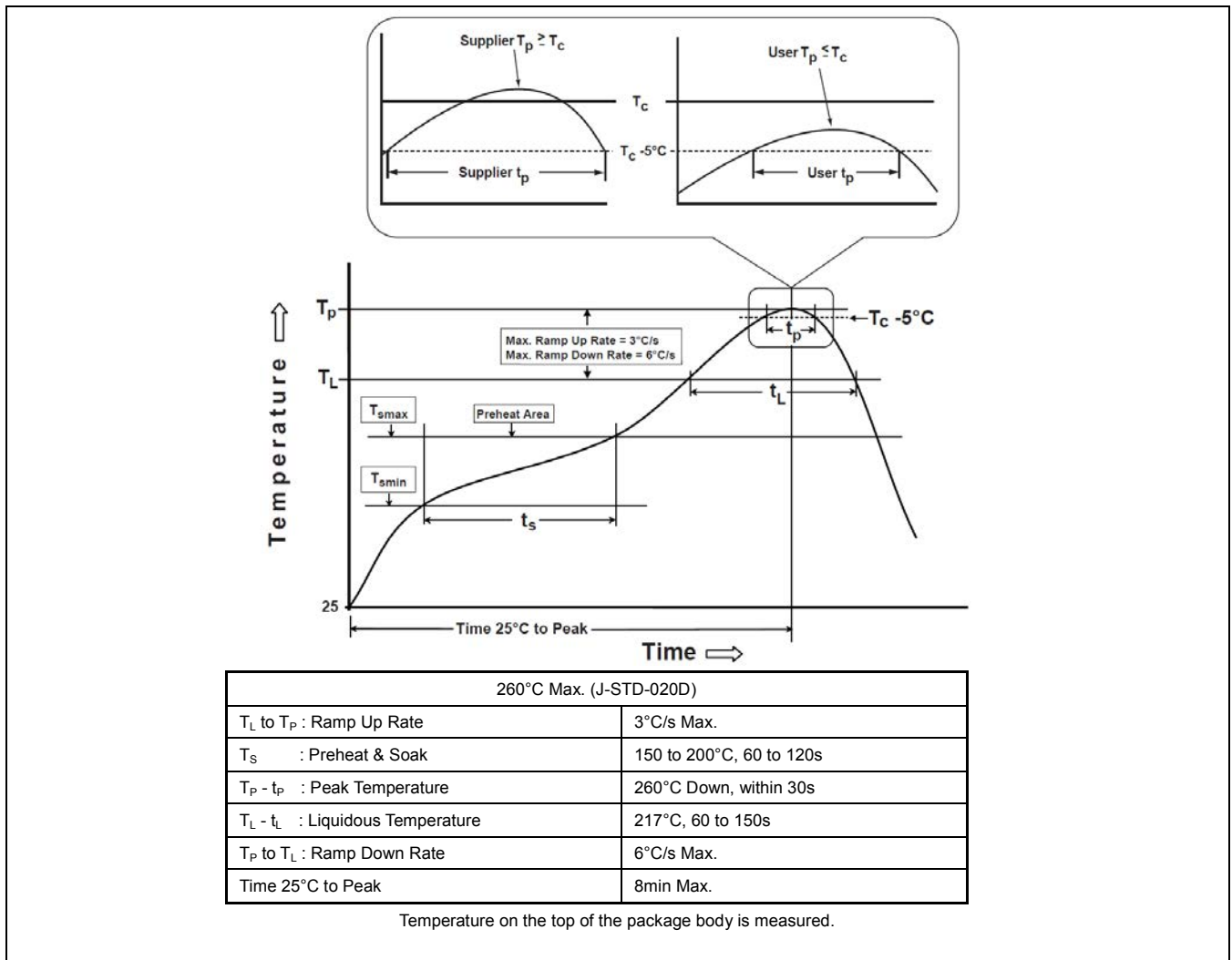
Items	Contents	
Method	IR(Infrared Reflow) / Convection	
Times	3 times in succession	
Floor life	Before unpacking	Please use within 2 years after production.
	From unpacking to reflow	Within 7 days
	In case over period of floor life(*1)	Baking with 125°C+/-3°C for 24hrs+2hrs/-0hrs is required. Then please use within 7 days. (Please remember baking is up to 2 times)
Floor life condition	Between 5°C and 30°C and also below 60%RH required. (It is preferred lower humidity in the required temp range.)	

*1: Concerning the Tape & Reel product, please transfer product to heatproof tray and so on when you perform baking.

Also please prevent lead deforming and ESD damage during baking process.

17.2 Reflow Profile

Figure 17-1 Reflow Profile



18. Package Dimensions

<p>8-pin plastic SOP</p> <p>(FPT-8P-M02)</p>	Lead pitch	1.27 mm
	Package width× package length	3.9 mm × 5.05 mm
	Lead shape	Gullwing
	Sealing method	Plastic mold
	Mounting height	1.75 mm MAX
	Weight	0.06 g

8-pin plastic SOP (FPT-8P-M02)

Note 1) *1 : These dimensions include resin protrusion.
 Note 2) *2 : These dimensions do not include resin protrusion.
 Note 3) Pins width and pins thickness include plating thickness.
 Note 4) Pins width do not include tie bar cutting remainder.

Technical drawing details:

- Top view: Overall width $*15.05^{+0.25}_{-0.20}$ (.199^{+0.010}_{-0.008}), pin pitch $1.27(.050)$, pin width 0.44 ± 0.08 (.017±.003), pin thickness $0.13(.005)$ (Note 4).
- Side view: Package height $*23.90\pm0.30$ (.154±.012), lead height 6.00 ± 0.20 (.236±.008), lead thickness $0.40(.016)$, lead tip width $0.22^{+0.03}_{-0.07}$ (.009^{+0.001}_{-0.003}).
- Detail of "A" part: Mounting height 1.55 ± 0.20 (.061±.008), lead thickness $0.25(.010)$, lead angle $0\sim8^\circ$, lead width 0.50 ± 0.20 (.020±.008), stand off 0.15 ± 0.10 (.006±.004), lead thickness at base 0.60 ± 0.15 (.024±.006).
- Bottom view: Lead thickness $0.10(.004)$.

© 2002-2012 FUJITSUSEMICONDUCTOR LIMITED F08004S-c-5-10

Dimensions in mm (inches).
 Note: The values in parentheses are reference values.

19. Major Changes

Page	Section	Descriptions
Revision 1.0		
-	-	Initial release
Revision 2.0		
16	11.6 Zero Voltage Switching Function	Corrected the R_{ADJ} formula
20	13. Application Examples	Added Application Examples
26	15. Ordering Information	Added Shipping in Table 15-1
-	-	Rewrote entire document for improving the ease of understanding (the original intentions are remained unchanged).
Revision 3.0		
8	7. Absolute Maximum Ratings	Removed ESD Voltage (Machine Model) from Table 7-1
-	Labeling Sample	Removed section of Labeling Sample
28	17. Recommended mounting condition [JEDEC Level3] Lead Free	Changed Recommended Condition from three conditions to one condition "JEDEC LEVEL3"

Colophon

The products described in this document are designed, developed and manufactured as contemplated for general use, including without limitation, ordinary industrial use, general office use, personal use, and household use, but are not designed, developed and manufactured as contemplated (1) for any use that includes fatal risks or dangers that, unless extremely high safety is secured, could have a serious effect to the public, and could lead directly to death, personal injury, severe physical damage or other loss (i.e., nuclear reaction control in nuclear facility, aircraft flight control, air traffic control, mass transport control, medical life support system, missile launch control in weapon system), or (2) for any use where chance of failure is intolerable (i.e., submersible repeater and artificial satellite). Please note that Spansion will not be liable to you and/or any third party for any claims or damages arising in connection with above-mentioned uses of the products. Any semiconductor devices have an inherent chance of failure. You must protect against injury, damage or loss from such failures by incorporating safety design measures into your facility and equipment such as redundancy, fire protection, and prevention of over-current levels and other abnormal operating conditions. If any products described in this document represent goods or technologies subject to certain restrictions on export under the Foreign Exchange and Foreign Trade Law of Japan, the US Export Administration Regulations or the applicable laws of any other country, the prior authorization by the respective government entity will be required for export of those products.

Trademarks and Notice

The contents of this document are subject to change without notice. This document may contain information on a Spansion product under development by Spansion. Spansion reserves the right to change or discontinue work on any product without notice. The information in this document is provided as is without warranty or guarantee of any kind as to its accuracy, completeness, operability, fitness for particular purpose, merchantability, non-infringement of third-party rights, or any other warranty, express, implied, or statutory. Spansion assumes no liability for any damages of any kind arising out of the use of the information in this document.

Copyright © 2014-2015 Spansion All rights reserved. Spansion®, the Spansion logo, MirrorBit®, MirrorBit® Eclipse™, ORNAND™ and combinations thereof, are trademarks and registered trademarks of Spansion LLC in the United States and other countries. Other names used are for informational purposes only and may be trademarks of their respective owners.

Mouser Electronics

Authorized Distributor

Click to View Pricing, Inventory, Delivery & Lifecycle Information:

[Cypress Semiconductor:](#)

[MB39C605PNF-G-JNEFE1](#)