

## General Description

The AP1682 is a high performance AC/DC universal input Primary Side Regulation Power Factor Controller for LED driver applications. The device uses Pulse Frequency Modulation (PFM) technology to regulate output current while achieving high power factor and low THD.

The AP1682 provides accurate constant current (CC) regulation while removing the opto-coupler and secondary control circuitry. It also eliminates the need of loop compensation circuitry while maintaining stability. The AP1682 achieves excellent regulation and high efficiency, yet meets the requirement of IEC61000-3-2 harmonic standard.

The AP1682 features low start-up current, low operation current and high efficiency. It also has rich protection features including over voltage, short circuit, over current, over temperature protection etc.

The AP1682 is available in SOIC-8 package.

## Features

- Primary Side Control for Output Current Regulation Without Opto-coupler and Secondary CV/CC Control Circuitry
- Low Start-up Current
- High Power Factor and Low THD for Universal Input Range
- Tight CC Regulation Performance for Universal Input Mains Voltage Range
- Eliminates Control Loop Compensation Circuitry
- Built-in Acceleration Start
- Open-load and Reload Detection
- Over Voltage and Short Circuit Protection
- Over Temperature Protection
- Over Current Protection
- Cost Effective Total PFC LED Driver Solution

## Applications

- Single Stage Power Factor Correction Power Supply for LED Lighting



Figure 1. Package Type of AP1682

## Pin Configuration

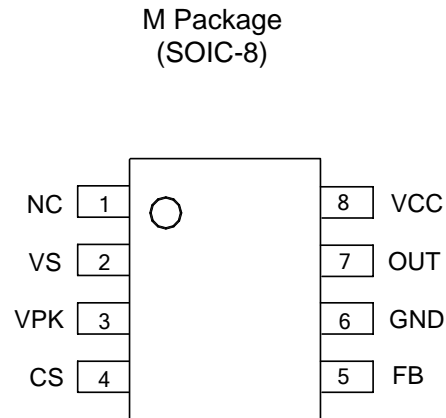


Figure 2. Pin Configuration of AP1682 (Top View)

## Pin Description

Pin Number	Pin Name	Function
1	NC	No connection
2	VS	The rectified input voltage sensing pin. The pin is detecting the instantaneous rectified sine waveform of input voltage
3	VPK	The rectified input voltage peak value sensing pin. The pin is detecting the rectified sine waveform peak value of input voltage
4	CS	Primary current sensing
5	FB	This pin captures the feedback voltage from the auxiliary winding. FB voltage is used to control no load output voltage and determine acceleration stop point at start-up phase
6	GND	Ground. Current return for gate driver and control circuits of the IC
7	OUT	Gate driver output
8	VCC	Supply voltage of gate driver and control circuits of the IC

Functional Block Diagram

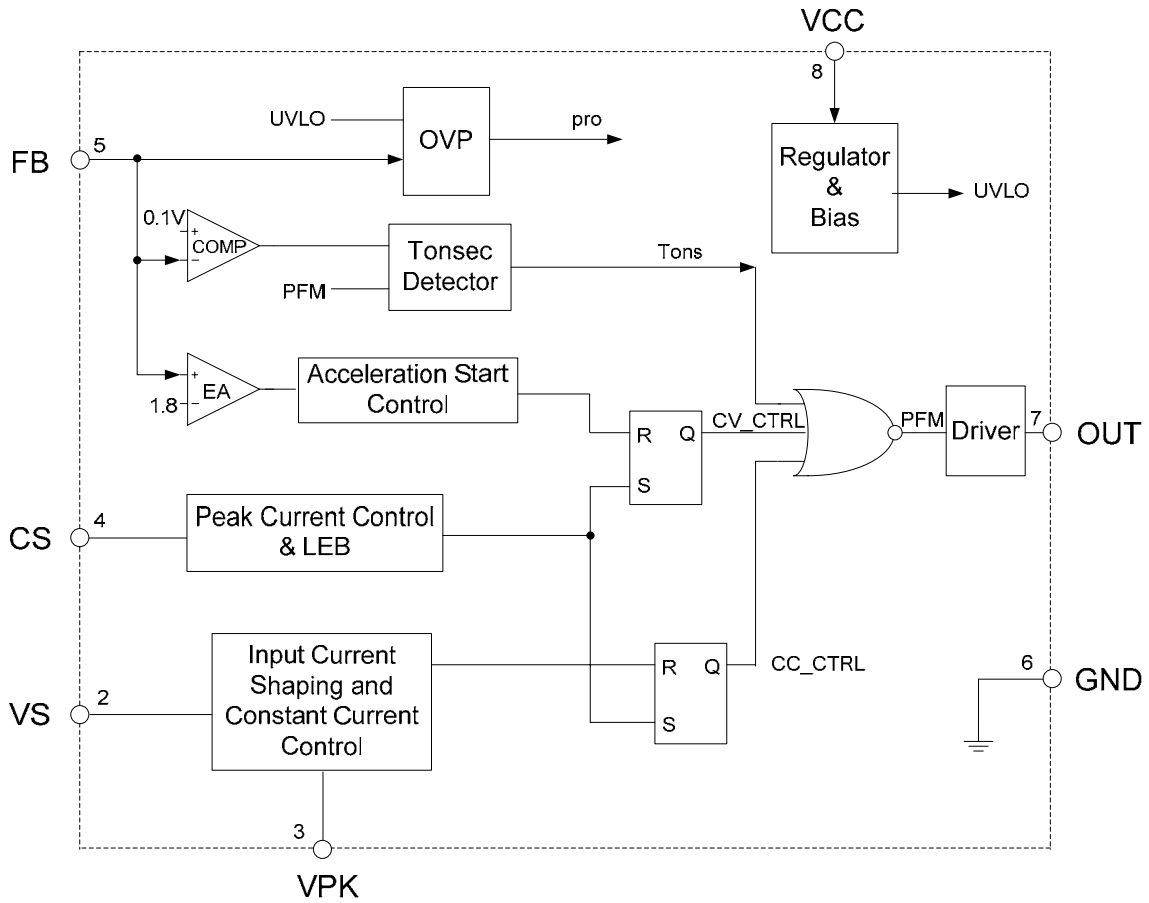
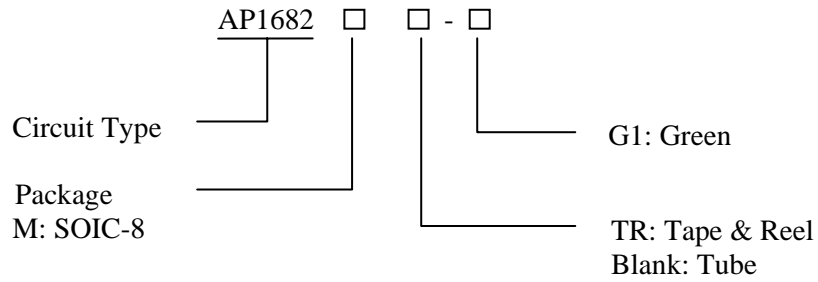


Figure 3. Functional Block Diagram of AP1682

**Ordering Information**



Package	Temperature Range	Part Number	Marking ID	Packing Type
SOIC-8	-40 to 105°C	AP1682M-G1	1682M-G1	Tube
		AP1682MTR-G1	1682M-G1	Tape & Reel

BCD Semiconductor's Pb-free products, as designated with "G1" suffix in the part number, are RoHS compliant and green.

**Absolute Maximum Ratings (Note 1)**

Parameter	Symbol	Value	Unit
Power Supply Voltage	$V_{CC}$	-0.3 to 30	V
Driver Output Current	$I_{OUT}$	300	mA
Voltage at VS, VPK, CS	$V_{VS}, V_{PK}, V_{CS}$	-0.3 to 7	V
FB Input Voltage	$V_{FB}$	-40 to 10	V
Operating Junction Temperature	$T_J$	150	°C
Storage Temperature	$T_{STG}$	-65 to 150	°C
Lead Temperature (Soldering, 10 sec)	$T_{LEAD}$	300	°C
Power Dissipation at $T_A=50^{\circ}C$	$P_D$	0.65	W
Thermal Resistance (Junction-to-Ambient)	$\theta_{JA}$	190	°C/W
ESD (Machine Model)		200	V
ESD (Human Body Model)		3000	V

Note 1: Stresses greater than those listed under “Absolute Maximum Ratings” may cause permanent damage to the device. These are stress ratings only, and functional operation of the device at these or any other conditions beyond those indicated under “Recommended Operating Conditions” is not implied. Exposure to “Absolute Maximum Ratings” for extended periods may affect device reliability.

**Recommended Operating Conditions**

Parameter	Symbol	Min	Max	Unit
Power Supply Voltage	$V_{CC}$	9	21	V
Ambient Temperature	$T_A$	-40	105	°C



**Single Stage Primary Side Regulation PFC Controller For LED Driver**

**AP1682**

**Electrical Characteristics**

V<sub>CC</sub>=15V, T<sub>A</sub>=25°C, unless otherwise specified.

Parameter	Symbol	Conditions	Min	Typ	Max	Unit
<b>UVLO Section</b>						
Start-up Threshold	V <sub>TH</sub> (ST)		18	19	20	V
Minimal Operating Voltage	V <sub>OPR</sub> (Min)	After turn on	7	8	9	
VCC OVP Voltage	V <sub>CC_OVP</sub>		28	32	36	
<b>Standby Current Section</b>						
Start-up Current	I <sub>ST</sub>	V <sub>CC</sub> =V <sub>TH</sub> (ST)-0.5V, Before start up			20	μA
Maximum Operating Current	I <sub>CC</sub> (Max)	V <sub>VS</sub> =V <sub>PK</sub> =3V		1000	1300	
<b>Drive Output Section</b>						
Output High Level Voltage	V <sub>OH</sub>	I <sub>GD-SOURCE</sub> =20mA V <sub>CC</sub> =12V	10			V
Output Low Level Voltage	V <sub>OL</sub>	I <sub>GD-SINK</sub> =20mA V <sub>CC</sub> =12V			1	V
Output Voltage Rise Time	t <sub>R</sub>	C <sub>L</sub> =1nF	100	140	190	ns
Output Voltage Fall Time	t <sub>F</sub>	C <sub>L</sub> =1nF	30	60	90	ns
Output Clamp Voltage	V <sub>O-CLAMP</sub>	I <sub>GD-SOURCE</sub> =5mA V <sub>CC</sub> =20V	12	13.5	15	V
UVLO Saturation Voltage	V <sub>UVLO</sub>	V <sub>CC</sub> =0 to V <sub>CC-ON</sub> I <sub>SINK</sub> =10mA			1.1	V
<b>VS Input Section</b>						
Maximum Ratio	V <sub>VS</sub> /V <sub>PK</sub> (Max)	V <sub>VS</sub> =V <sub>PK</sub> =3V	0.8	1	1.2	V
Minimum Ratio	V <sub>VS</sub> /V <sub>PK</sub> (Min)	V <sub>VS</sub> =0V, V <sub>PK</sub> =3V			0.2	V
<b>Current Sense Section</b>						
Minimum On Time	t <sub>ON</sub> (Min)		500	750	1000	ns
Short Circuit Protection Voltage	V <sub>SOCP</sub>		3	4		V
<b>Feedback Input Section</b>						
FB Pin Input Leakage Current	I <sub>FB</sub>	V <sub>FB</sub> =4V		2	8	μA
Acceleration Start Threshold	V <sub>FB</sub> (ACC)		1.4	1.8	2.2	V
CV Threshold	V <sub>FB</sub> (CV)		3.2	4.2	5.2	V
Over Voltage Protection	V <sub>FB</sub> (OVP)		4.5	6	7.5	V
<b>Over Temperature Protection Section</b>						
Shutdown Temperature				140		°C
Temperature Hysteresis				20		°C

### Typical Performance Characteristics

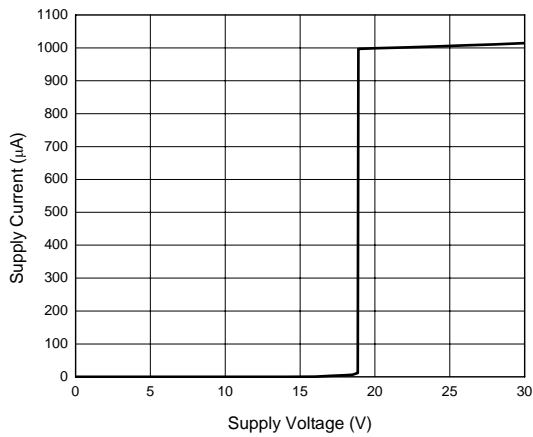


Figure 4. Supply Current vs. Supply Voltage

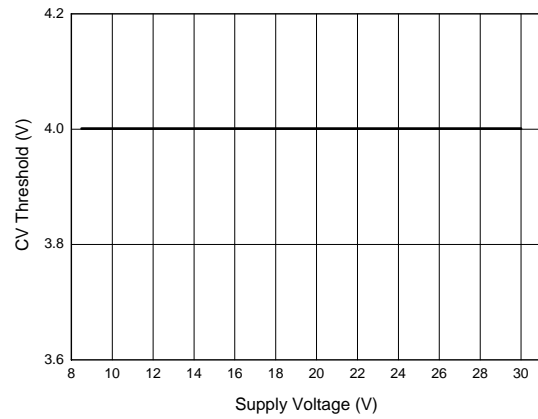


Figure 5. CV Threshold Vs. Supply Voltage

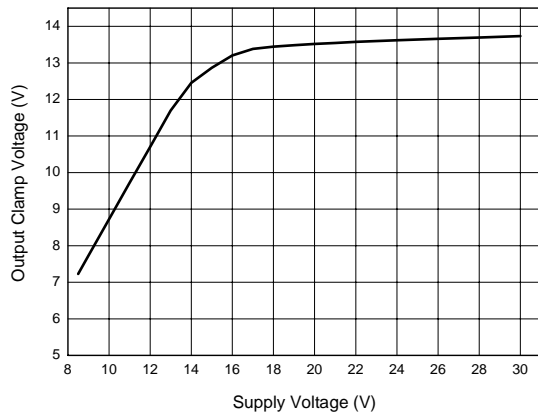


Figure 6. Output Clamp Voltage vs. Supply Voltage

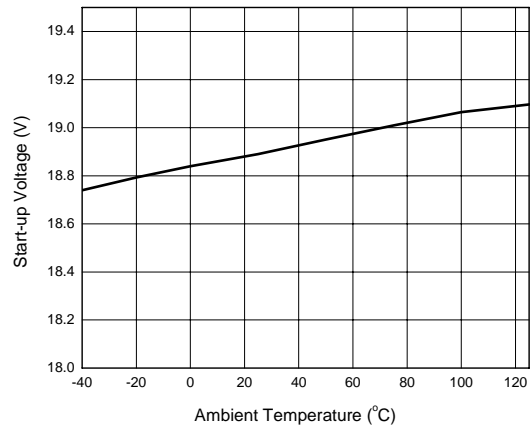


Figure 7. Start-up Voltage vs. Ambient Temperature

Typical Performance Characteristics (Continued)

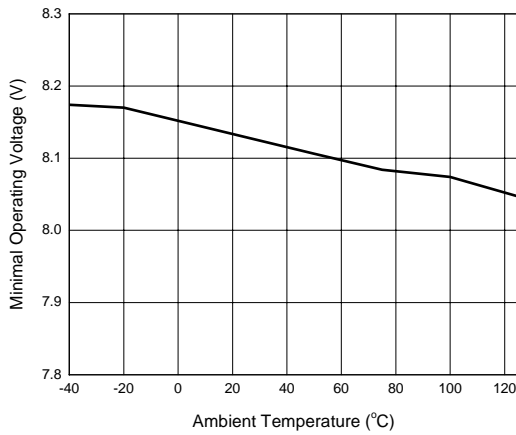


Figure 8. Minimal Operating Voltage vs. Ambient Temperature

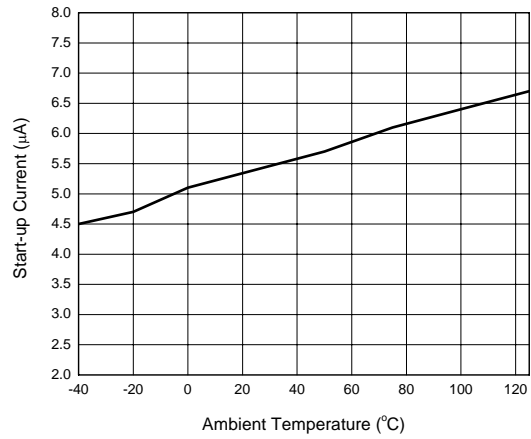


Figure 9. Start-up Current vs. Ambient Temperature

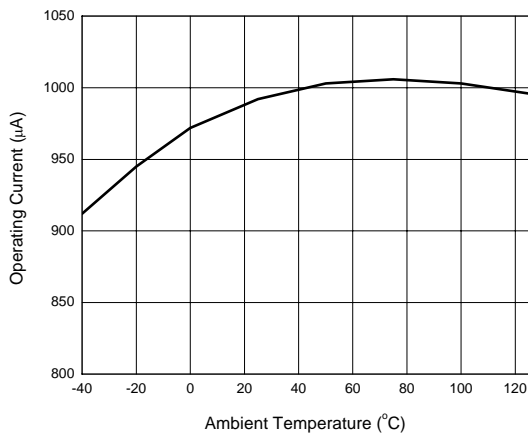


Figure 10. Operating Current vs. Ambient Temperature

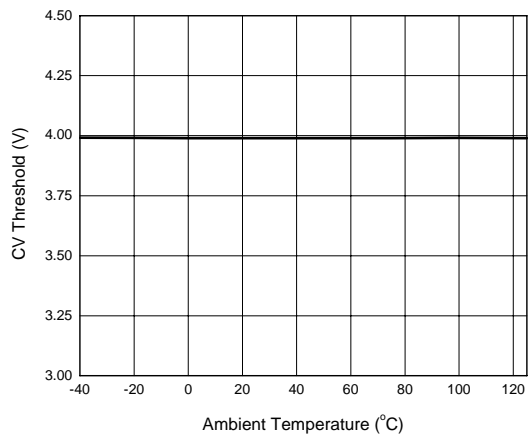


Figure 11. CV Threshold Vs. Ambient Temperature



### Typical Performance Characteristics (Continued)

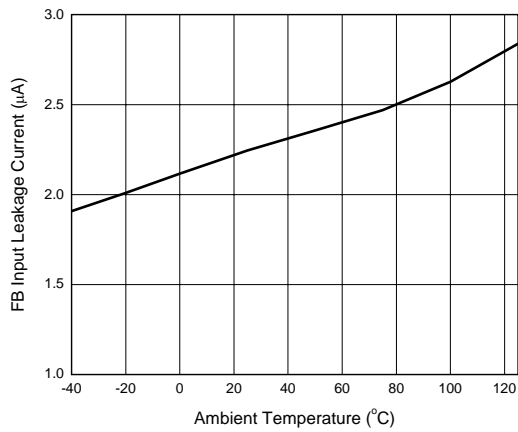


Figure 12. FB Input Leakage Current vs. Ambient Temperature

### Typical Application

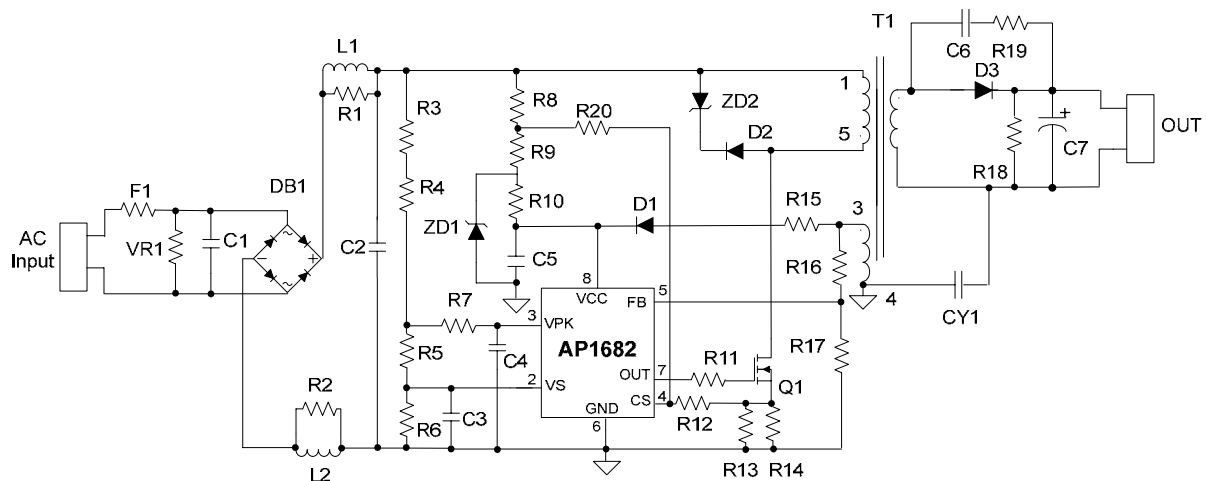
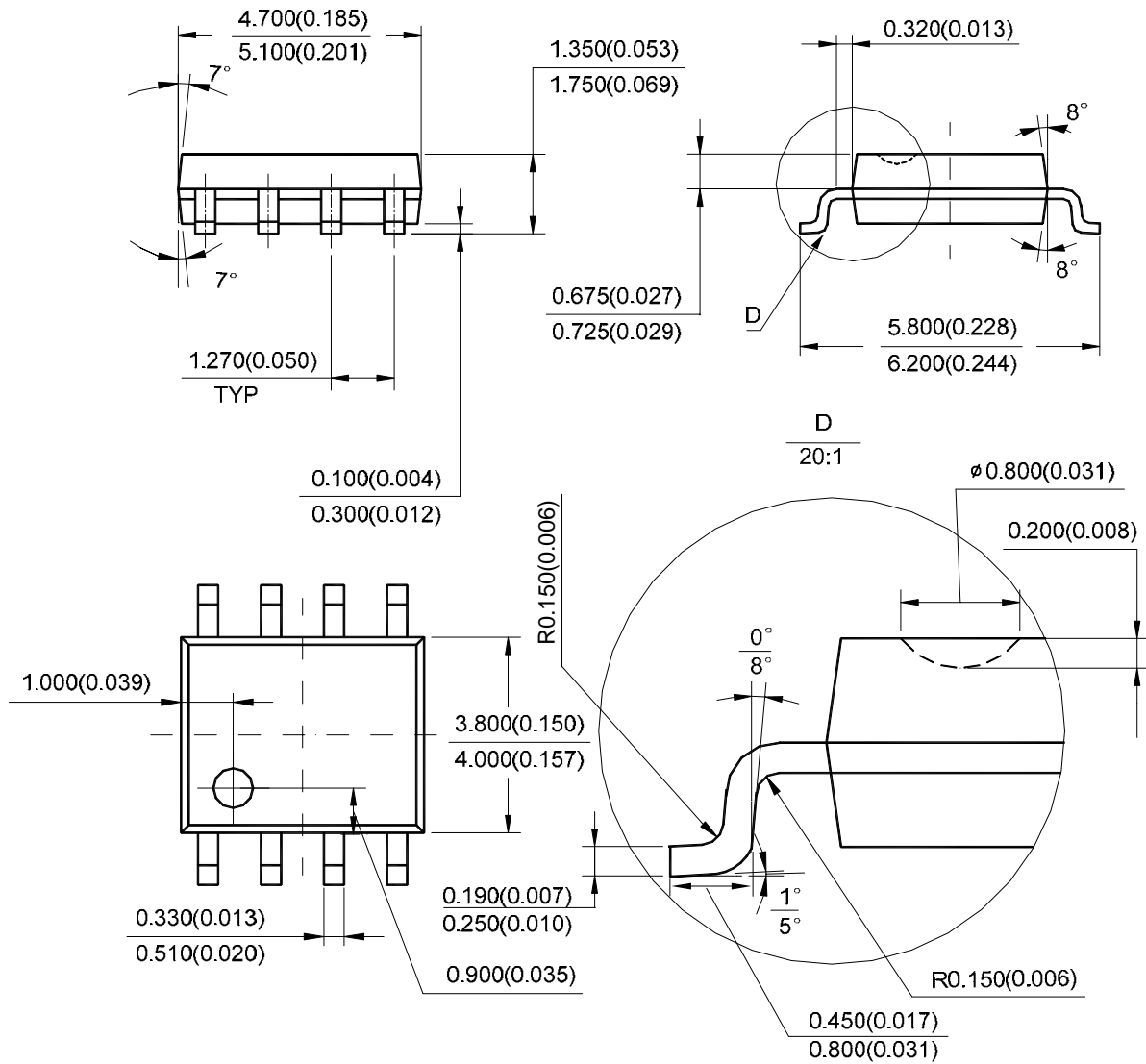


Figure 13. Typical Application of AP1682

## Mechanical Dimensions

SOIC-8

Unit: mm(inch)



Note: Eject hole, oriented hole and mold mark is optional.



## BCD Semiconductor Manufacturing Limited

<http://www.bcdsemi.com>

### IMPORTANT NOTICE

BCD Semiconductor Manufacturing Limited reserves the right to make changes without further notice to any products or specifications herein. BCD Semiconductor Manufacturing Limited does not assume any responsibility for use of any its products for any particular purpose, nor does BCD Semiconductor Manufacturing Limited assume any liability arising out of the application or use of any its products or circuits. BCD Semiconductor Manufacturing Limited does not convey any license under its patent rights or other rights nor the rights of others.

---

#### MAIN SITE

##### - Headquarters

##### BCD Semiconductor Manufacturing Limited

No. 1600, Zi Xing Road, Shanghai ZiZhu Science-based Industrial Park, 200241, China  
Tel: +86-21-24162266, Fax: +86-21-24162277

##### - Wafer Fab

##### Shanghai SIM-BCD Semiconductor Manufacturing Co., Ltd.

800 Yi Shan Road, Shanghai 200233, China  
Tel: +86-21-6485 1491, Fax: +86-21-5450 0008

#### REGIONAL SALES OFFICE

##### Shenzhen Office

##### Shanghai SIM-BCD Semiconductor Manufacturing Co., Ltd., Shenzhen Office

Unit A Room 1203, Skyworth Bldg., Gaoxin Ave. 1.S., Nanshan District, Shenzhen, China  
Tel: +86-755-8826 7951  
Fax: +86-755-8826 7865

##### Taiwan Office

##### BCD Semiconductor (Taiwan) Company Limited

4F, 298-1, Rui Guang Road, Nei-Hu District, Taipei, Taiwan  
Tel: +886-2-2656 2808  
Fax: +886-2-2656 2806

##### USA Office

##### BCD Semiconductor Corp.

30920 Huntwood Ave. Hayward, CA 94544, USA  
Tel : +1-510-324-2988  
Fax: +1-510-324-2788

# Mouser Electronics

Authorized Distributor

Click to View Pricing, Inventory, Delivery & Lifecycle Information:

[Diodes Incorporated:](#)

[AP1682MTR-PG1](#) [AP1682MTR-G1](#) [AP1682MTR-OG1](#)