



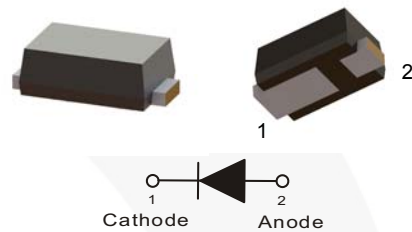
April 2016



# SS13HE - SS16HE 1 A, 30 V - 60 V Surface Mount Schottky Barrier Rectifiers

## Features

- Very Low Profile - Typical Height of 0.68 mm
  - Low Power Loss, High Efficiency
  - Moisture Sensitivity Level 1 per J-STD-020
  - UL Flammability 94V-0 Classification
  - RoHS Compliant / Green Mold Compound
  - Industrial Devices Qualified Per AEC-Q101 Rev. C Standards
- \* see authorized use policy



## Ordering Information

Part Number	Top Mark	Package	Packing Method
SS13HE	1A	SOD-323HE	Tape and Reel
SS14HE	1B	SOD-323HE	Tape and Reel
SS16HE	1C	SOD-323HE	Tape and Reel

## Absolute Maximum Ratings

Stresses exceeding the absolute maximum ratings may damage the device. The device may not function or be operable above the recommended operating conditions and stressing the parts to these levels is not recommended. In addition, extended exposure to stresses above the recommended operating conditions may affect device reliability. The absolute maximum ratings are stress ratings only. Values are at  $T_A = 25^\circ\text{C}$  unless otherwise noted.

Symbol	Parameter	Value			Unit
		SS13HE	SS14HE	SS16HE	
$V_{RRM}$	Maximum Repetitive Peak Reverse Voltage	30	40	60	V
$V_R$	Reverse Voltage	30	40	60	V
$I_{F(AV)}$	Maximum Average Forward Rectified Current	1			A
$I_{FSM}$	Peak Forward Surge Current, 8.3 ms Single Half Sine-Wave Superimposed on Rated Load	25			A
$T_J$	Operating Junction Temperature Range	-55 to +150			$^\circ\text{C}$
$T_{STG}$	Storage Temperature Range	-55 to +150			$^\circ\text{C}$

SS13HE - SS16HE — 1 A, 30 V - 60 V Surface Mount Schottky Barrier Rectifiers

### Thermal Characteristics<sup>(1)</sup>

Values are at  $T_A = 25^\circ\text{C}$  unless otherwise noted.

Symbol	Parameter	Value	Unit
$\psi_{JL}$	Junction to Lead Thermal Resistance Thermocouple Soldered to Cathode	21	$^\circ\text{C}/\text{W}$
$R_{\theta JA}$	Junction to Ambient Thermal Resistance (1)	199	$^\circ\text{C}/\text{W}$

Note 1: Per JESD51-3 Recommended Thermal Test Board. Device mounted on FR-4 PCB, board size = 76.2mm x 114.3mm

### Electrical Characteristics

Values are at  $T_A = 25^\circ\text{C}$  unless otherwise noted.

Symbol	Parameter	Conditions	Min.	Typ.	Max.	Unit
$V_F$	Instantaneous Forward Voltage <sup>(2)</sup>	$I_F = 0.5\text{ A}, T_J = 25^\circ\text{C}$	SS13HE SS14HE	0.41		V
		$I_F = 0.5\text{ A}, T_J = 125^\circ\text{C}$		0.31		
		$I_F = 1.0\text{ A}, T_J = 25^\circ\text{C}$		0.46	0.55	
		$I_F = 1.0\text{ A}, T_J = 125^\circ\text{C}$		0.40	0.50	
		$I_F = 0.5\text{ A}, T_J = 25^\circ\text{C}$	SS16HE	0.51		
		$I_F = 0.5\text{ A}, T_J = 125^\circ\text{C}$		0.45		
		$I_F = 1.0\text{ A}, T_J = 25^\circ\text{C}$		0.61	0.68	
		$I_F = 1.0\text{ A}, T_J = 125^\circ\text{C}$		0.54	0.60	
$I_R$	Reverse Current at Rated $V_R$	$T_J = 25^\circ\text{C}$	SS13HE SS14HE	5.0	50	$\mu\text{A}$
		$T_J = 125^\circ\text{C}$		3.0	10	mA
		$T_J = 25^\circ\text{C}$	SS16HE	2.0	50	$\mu\text{A}$
		$T_J = 125^\circ\text{C}$		1.5	10	mA
$T_{rr}$	Reverse Recovery Time	$I_F = 0.5\text{ A}, I_R = 1.0\text{ A}, I_{rr} = 0.25\text{ A}$	SS13HE SS14HE	5.6		ns
			SS16HE	8.3		
$C_J$	Junction Capacitance	$V_R = 4.0\text{ V}, f = 1\text{ MHz}$	SS13HE SS14HE	55		pF
			SS16HE	43		

**Note:**

2. Pulse test with  $PW = 300\ \mu\text{s}$ , 1% duty cycle.

## Typical Performance Characteristics

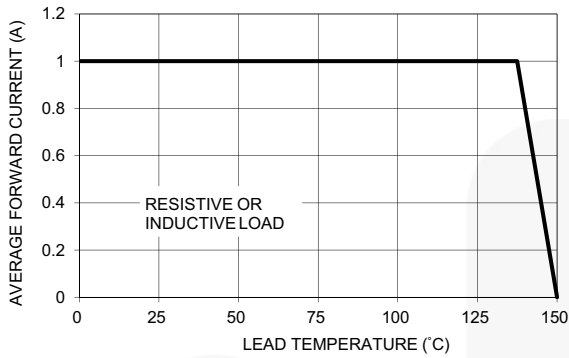


Figure 1. Forward Current Derating Curve

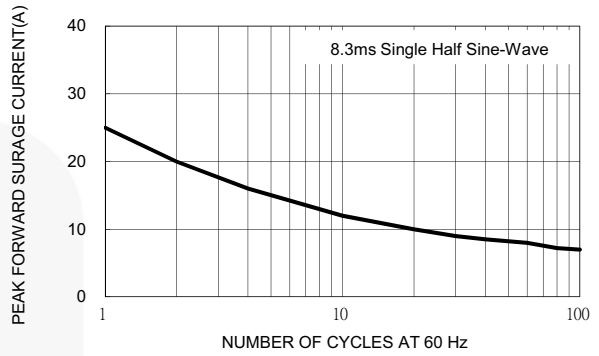


Figure 2. Maximum Non-Repetitive Forward Surge Current

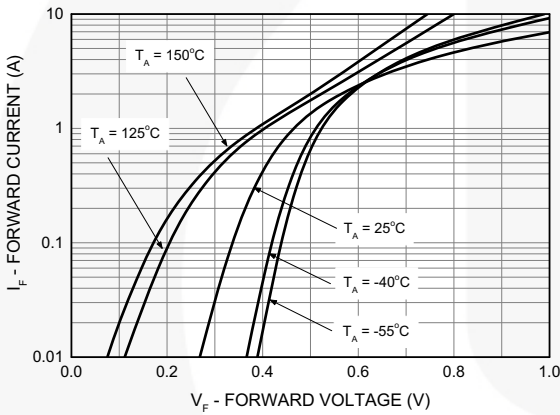


Figure 3. Typical Forward Characteristics - SS13HE / SS14HE

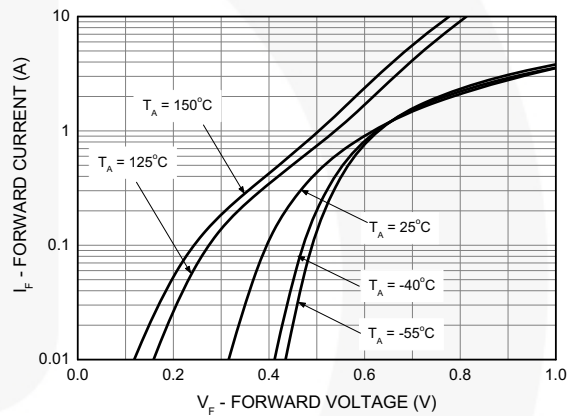


Figure 4. Typical Forward Characteristics - SS16HE

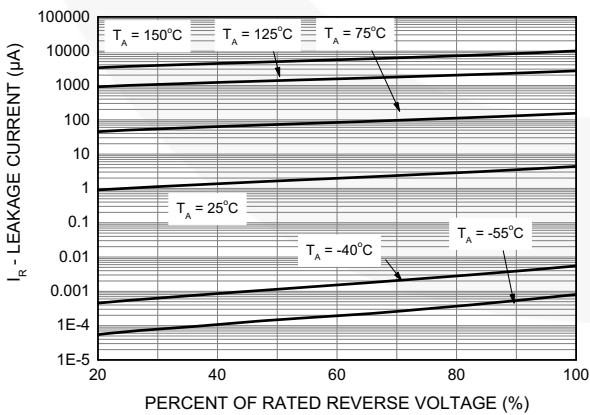


Figure 5. Typical Reverse Characteristics - SS13HE / SS14HE

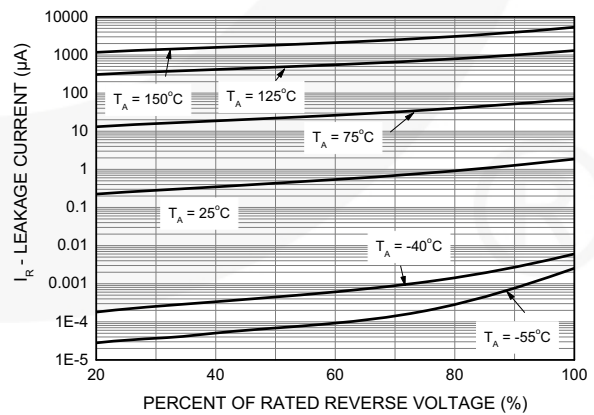


Figure 6. Typical Reverse Characteristics - SS16HE

Typical Performance Characteristics (Continued)

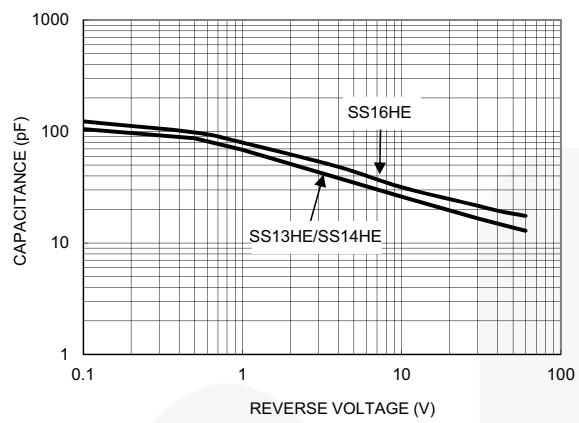
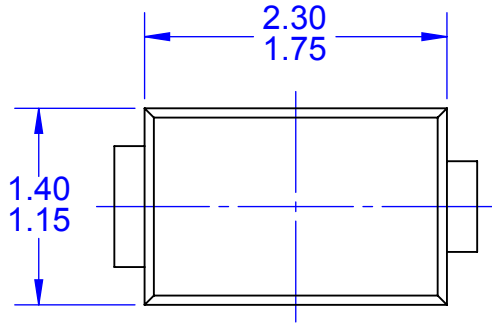
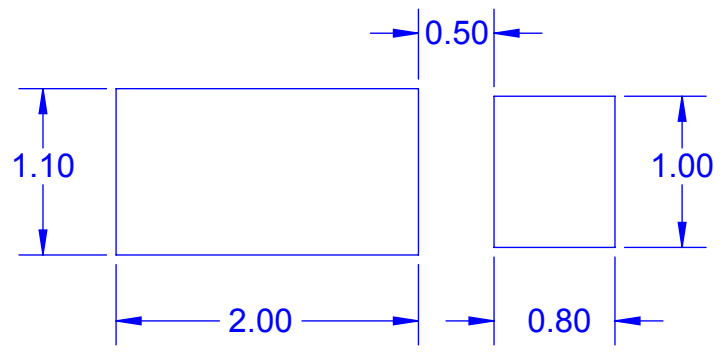


Figure 7. Typical Junction Capacitance

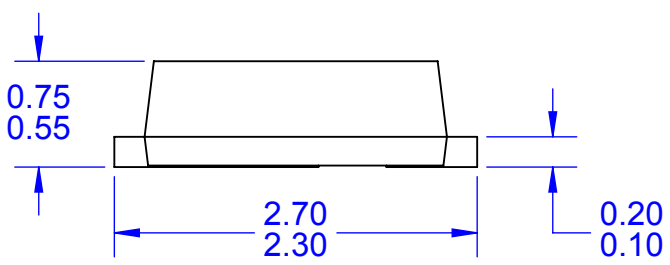




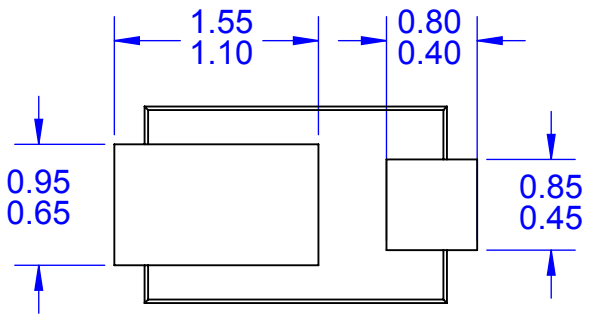
TOP VIEW



LAND PATTERN RECOMMENDATION



FRONT VIEW



BOTTOM VIEW

NOTES:

- A. THIS PACKAGE DOES NOT CONFORM TO ANY STANDARDS.
- B. ALL DIMENSIONS ARE IN MILLIMETERS.
- C. DIMENSIONS ARE EXCLUSIVE OF BURRS, MOLD FLASH AND TIE BAR PROTRUSIONS.
- D. DRAWING FILE NAME: MKT-SOD323Hrev2





**TRADEMARKS**

The following includes registered and unregistered trademarks and service marks, owned by Fairchild Semiconductor and/or its global subsidiaries, and is not intended to be an exhaustive list of all such trademarks.

- AccuPower™
- AttitudeEngine™
- Awinda®
- AX-CAP®\*
- BitSiC™
- Build it Now™
- CorePLUS™
- CorePOWER™
- CROSSVOL™
- CTL™
- Current Transfer Logic™
- DEUXPEED®
- Dual Cool™
- EcoSPARK®
- EfficientMax™
- ESBC™
- F**™
- Fairchild®
- Fairchild Semiconductor®
- FACT Quiet Series™
- FACT®
- FastvCore™
- FETBench™
- FPS™
- F-PFS™
- FRFET®
- Global Power Resource<sup>SM</sup>
- GreenBridge™
- Green FPS™
- Green FPS™ e-Series™
- Gmax™
- GTO™
- IntelliMAX™
- ISOPLANAR™
- Making Small Speakers Sound Louder and Better™
- MegaBuck™
- MICROCOUPLER™
- MicroFET™
- MicroPak™
- MicroPak2™
- MillerDrive™
- MotionMax™
- MotionGrid®
- MTi®
- MTx®
- MVN®
- mWSaver®
- OptoHiT™
- OPTOLOGIC®
- OPTOPLANAR®
- ®
- Power Supply WebDesigner™
- PowerTrench®
- PowerXS™
- Programmable Active Droop™
- QFET®
- QS™
- Quiet Series™
- RapidConfigure™
- ™
- Saving our world, 1mW/W/kW at a time™
- SignalWise™
- SmartMax™
- SMART START™
- Solutions for Your Success™
- SPM®
- STEALTH™
- SuperFET®
- SuperSOT™-3
- SuperSOT™-6
- SuperSOT™-8
- SupreMOS®
- SyncFET™
- Sync-Lock™
- ®
- TinyBoost®
- TinyBuck®
- TinyCalc™
- TinyLogic®
- TINYOPTO™
- TinyPower™
- TinyPWM™
- TinyWire™
- TranSiC™
- TriFault Detect™
- TRUECURRENT®\*
- μSerDes™
- ™
- UHC®
- Ultra FRFET™
- UniFET™
- VcX™
- VisualMax™
- VoltagePlus™
- XS™
- Xsens™
- 仙童®

\* Trademarks of System General Corporation, used under license by Fairchild Semiconductor.

**DISCLAIMER**

FAIRCHILD SEMICONDUCTOR RESERVES THE RIGHT TO MAKE CHANGES WITHOUT FURTHER NOTICE TO ANY PRODUCTS HEREIN TO IMPROVE RELIABILITY, FUNCTION, OR DESIGN. TO OBTAIN THE LATEST, MOST UP-TO-DATE DATASHEET AND PRODUCT INFORMATION, VISIT OUR WEBSITE AT [HTTP://WWW.FAIRCHILDSEMI.COM](http://www.fairchildsemi.com). FAIRCHILD DOES NOT ASSUME ANY LIABILITY ARISING OUT OF THE APPLICATION OR USE OF ANY PRODUCT OR CIRCUIT DESCRIBED HEREIN; NEITHER DOES IT CONVEY ANY LICENSE UNDER ITS PATENT RIGHTS, NOR THE RIGHTS OF OTHERS. THESE SPECIFICATIONS DO NOT EXPAND THE TERMS OF FAIRCHILD'S WORLDWIDE TERMS AND CONDITIONS, SPECIFICALLY THE WARRANTY THEREIN, WHICH COVERS THESE PRODUCTS.

**AUTHORIZED USE**

Unless otherwise specified in this data sheet, this product is a standard commercial product and is not intended for use in applications that require extraordinary levels of quality and reliability. This product may not be used in the following applications, unless specifically approved in writing by a Fairchild officer: (1) automotive or other transportation, (2) military/aerospace, (3) any safety critical application – including life critical medical equipment – where the failure of the Fairchild product reasonably would be expected to result in personal injury, death or property damage. Customer's use of this product is subject to agreement of this Authorized Use policy. In the event of an unauthorized use of Fairchild's product, Fairchild accepts no liability in the event of product failure. In other respects, this product shall be subject to Fairchild's Worldwide Terms and Conditions of Sale, unless a separate agreement has been signed by both Parties.

**ANTI-COUNTERFEITING POLICY**

Fairchild Semiconductor Corporation's Anti-Counterfeiting Policy. Fairchild's Anti-Counterfeiting Policy is also stated on our external website, [www.fairchildsemi.com](http://www.fairchildsemi.com), under Terms of Use

Counterfeiting of semiconductor parts is a growing problem in the industry. All manufacturers of semiconductor products are experiencing counterfeiting of their parts. Customers who inadvertently purchase counterfeit parts experience many problems such as loss of brand reputation, substandard performance, failed applications, and increased cost of production and manufacturing delays. Fairchild is taking strong measures to protect ourselves and our customers from the proliferation of counterfeit parts. Fairchild strongly encourages customers to purchase Fairchild parts either directly from Fairchild or from Authorized Fairchild Distributors who are listed by country on our web page cited above. Products customers buy either from Fairchild directly or from Authorized Fairchild Distributors are genuine parts, have full traceability, meet Fairchild's quality standards for handling and storage and provide access to Fairchild's full range of up-to-date technical and product information. Fairchild and our Authorized Distributors will stand behind all warranties and will appropriately address any warranty issues that may arise. Fairchild will not provide any warranty coverage or other assistance for parts bought from Unauthorized Sources. Fairchild is committed to combat this global problem and encourage our customers to do their part in stopping this practice by buying direct or from authorized distributors.

**PRODUCT STATUS DEFINITIONS**

**Definition of Terms**

Datasheet Identification	Product Status	Definition
Advance Information	Formative / In Design	Datasheet contains the design specifications for product development. Specifications may change in any manner without notice.
Preliminary	First Production	Datasheet contains preliminary data; supplementary data will be published at a later date. Fairchild Semiconductor reserves the right to make changes at any time without notice to improve design.
No Identification Needed	Full Production	Datasheet contains final specifications. Fairchild Semiconductor reserves the right to make changes at any time without notice to improve the design.
Obsolete	Not In Production	Datasheet contains specifications on a product that is discontinued by Fairchild Semiconductor. The datasheet is for reference information only.

Rev. I77

# Mouser Electronics

Authorized Distributor

Click to View Pricing, Inventory, Delivery & Lifecycle Information:

[Fairchild Semiconductor:](#)

[SS14HE](#)