

TLE6251D

High Speed CAN-Transceiver with Bus Wake-up

Data Sheet

Rev. 1.0, 2012-07-27

Table of Contents

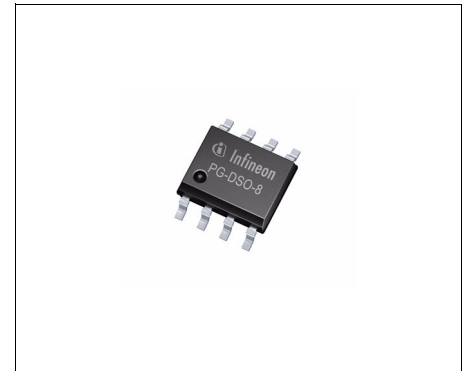
1	Overview	3
2	Block Diagram	4
3	Pin Configuration	5
3.1	Pin Assignment	5
3.2	Pin Definitions	5
4	Functional Description	6
4.1	High Speed CAN Physical Layer	6
4.2	Modes of Operation	8
4.3	Normal-operating Mode	9
4.4	Stand-by Mode	9
4.5	Power-down State	9
4.6	Remote Wake-up	10
4.7	Voltage Adaption to the Microcontroller Supply	10
5	Fail Safe Functions	11
5.1	Short-circuit Protection	11
5.2	Unconnected Logical Pins	11
5.3	TxD Time-out Function	11
5.4	Undervoltage Detection	12
5.5	Overtemperature Protection	13
5.6	Mode Changes during CAN Bus Failures	13
5.7	Delay Time for Mode Change	15
6	General Product Characteristics	16
6.1	Absolute Maximum Ratings	16
6.2	Functional Range	17
6.3	Thermal Resistance	17
7	Electrical Characteristics	18
7.1	Functional Device Characteristics	18
7.2	Diagrams	21
8	Application Information	22
8.1	ESD Immunity According to IEC61000-4-2	22
8.2	Application Example	23
8.3	Further Application Information	24
9	Package Outline	25
10	Revision History	26



1 Overview

Features

- Fully compatible with ISO 11898-2 / -5
- Wide common mode range for electromagnetic immunity (EMI)
- Very low electromagnetic emission (EME)
- Excellent ESD immunity
- Extended supply range on V_{CC} and V_{IO}
- V_{IO} input for voltage adaption to the microcontroller supply
- CAN short-circuit proof to ground, battery and V_{CC}
- TxD time-out function
- Low CAN bus leakage current in power-down state
- Overtemperature protection
- Protected against automotive transients
- CAN data transmission rate up to 1 Mbps
- Stand-by mode with remote wake-up function
- Wake-up detection by signal change on the RxD output
- Power Supply V_{CC} can be turned off in stand-by mode
- Green Product (RoHS compliant)
- AEC Qualified



PG-DSO-8-16

Description

The TLE6251D is a transceiver designed for CAN networks in automotive and industrial applications. As an interface between the physical bus layer and the CAN protocol controller, the TLE6251D drives the signals to the bus and protects the microcontroller against interferences generated within the network. Based on the high symmetry of the CANH and CANL signals, the TLE6251D provides a very low level of electromagnetic emission (EME) within a wide frequency range. The TLE6251D is integrated into a RoHS compliant PG-DSO-8-16 package and fulfills or exceeds the requirements of the ISO11898-2 / -5.

The TLE6251D allows very low quiescent currents in stand-by mode while the device is still able to wake-up by a bus signal on the CAN bus. Based on the very low leakage currents on the CAN bus interface the TLE6251D provides an excellent passive behavior in power-down state. These and other features make the TLE6251D especially suitable for mixed supply CAN networks.

Based on the Infineon Smart Power Technology SPT, the TLE6251D provides excellent ESD immunity together with a very high electromagnetic immunity (EMI). The TLE6251D and the Infineon SPT technology are AEC qualified and tailored to withstand the harsh conditions of the Automotive Environment.

Two different operation modes, additional fail-safe features like a TxD time-out, and the optimized output slew rates on the CANH and CANL signals make the TLE6251D the ideal choice for large CAN networks with high data transmission rates.

Type	Package	Marking
TLE6251D	PG-DSO-8-16	6251D

2 Block Diagram

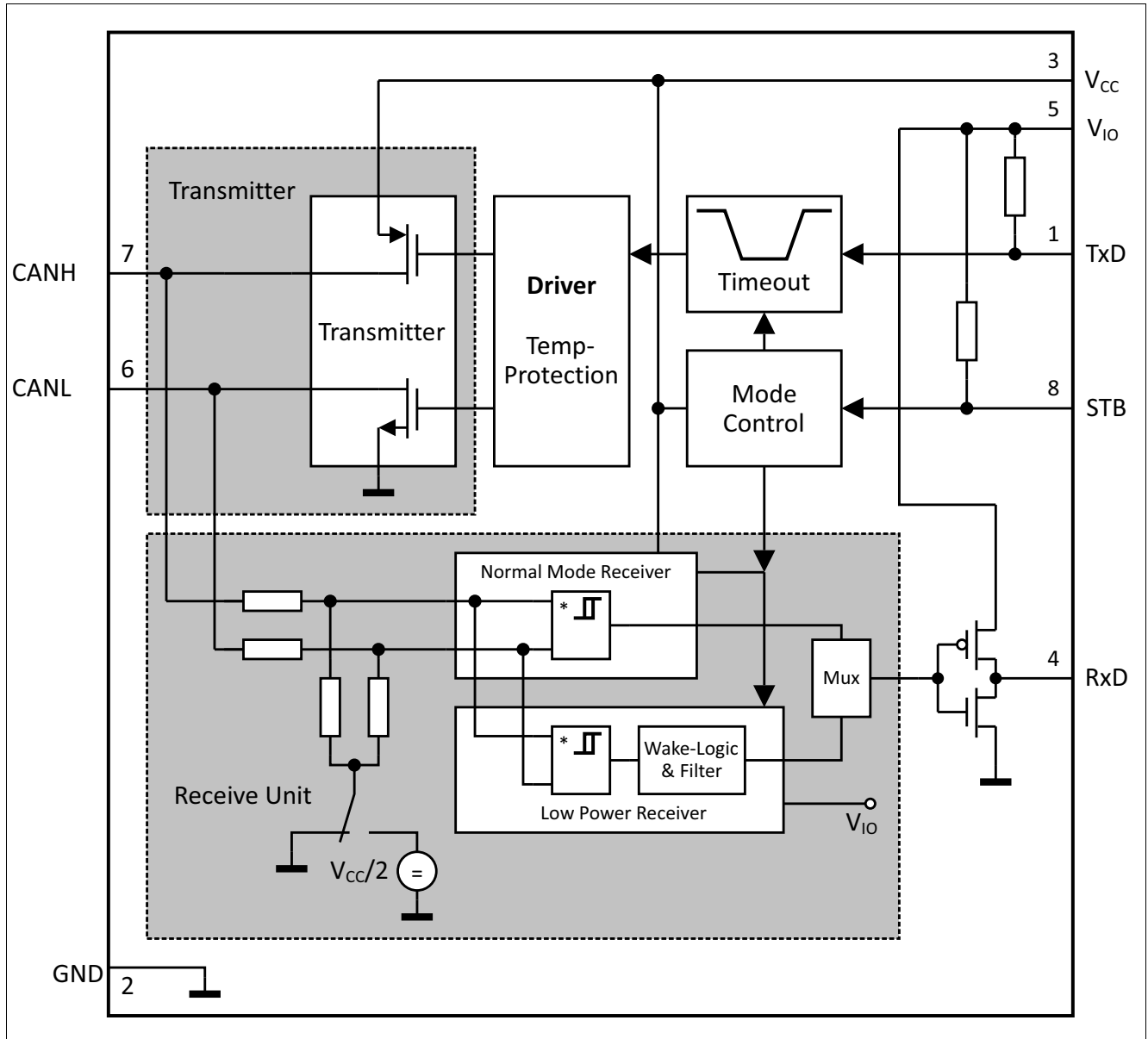


Figure 1 Block diagram

3 Pin Configuration

3.1 Pin Assignment

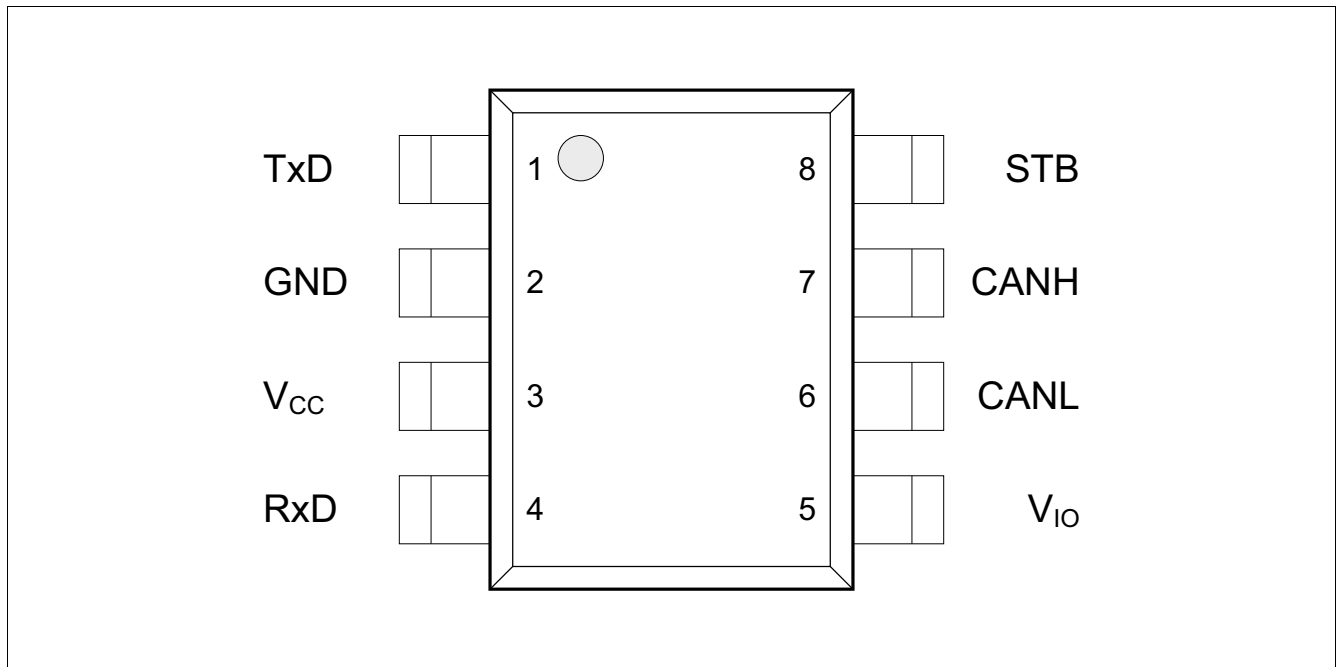


Figure 2 Pin configuration

3.2 Pin Definitions

Table 1 Pin Definitions and Functions

Pin No.	Symbol	Function
1	TxD	Transmit Data Input; Internal pull-up to V_{IO} , “low” for “dominant” state.
2	GND	Ground
3	V_{CC}	Transceiver Supply Voltage; 100 nF decoupling capacitor to GND required, V_{CC} can be turned off in stand-by mode.
4	RxD	Receive Data Output; “low” in “dominant” state.
5	V_{IO}	Digital Supply Voltage Input; supply voltage input to adapt the logical input and output voltage levels of the transceiver to the microcontroller supply. Supply for the low-power receiver. 100 nF decoupling capacitor to GND required.
6	CANL	CAN Bus Low level I/O; “low” in “dominant” state.
7	CANH	CAN Bus High level I/O; “high” in “dominant” state.
8	STB	Stand-by Input; internal pull-up to V_{IO} , “low” for normal-operating mode.

4 Functional Description

CAN is a serial bus system that connects microcontrollers, sensors and actuators for real-time control applications. The use of the **C**ontroller **A**rea **N**etwork (abbreviated CAN) within road vehicles is described by the international standard ISO 11898. According to the 7-layer OSI reference model, the physical layer of a CAN bus system specifies the data transmission from one CAN node to all other available CAN nodes within the network. The physical layer specification of a CAN bus system includes all electrical and mechanical specifications of a CAN network. The CAN transceiver is part of the physical layer specification. Several different physical layer standards of CAN networks have been developed in recent years. The TLE6251D is a High Speed CAN transceiver with a dedicated bus wake-up function and defined by the international standard ISO 11898-2.

4.1 High Speed CAN Physical Layer

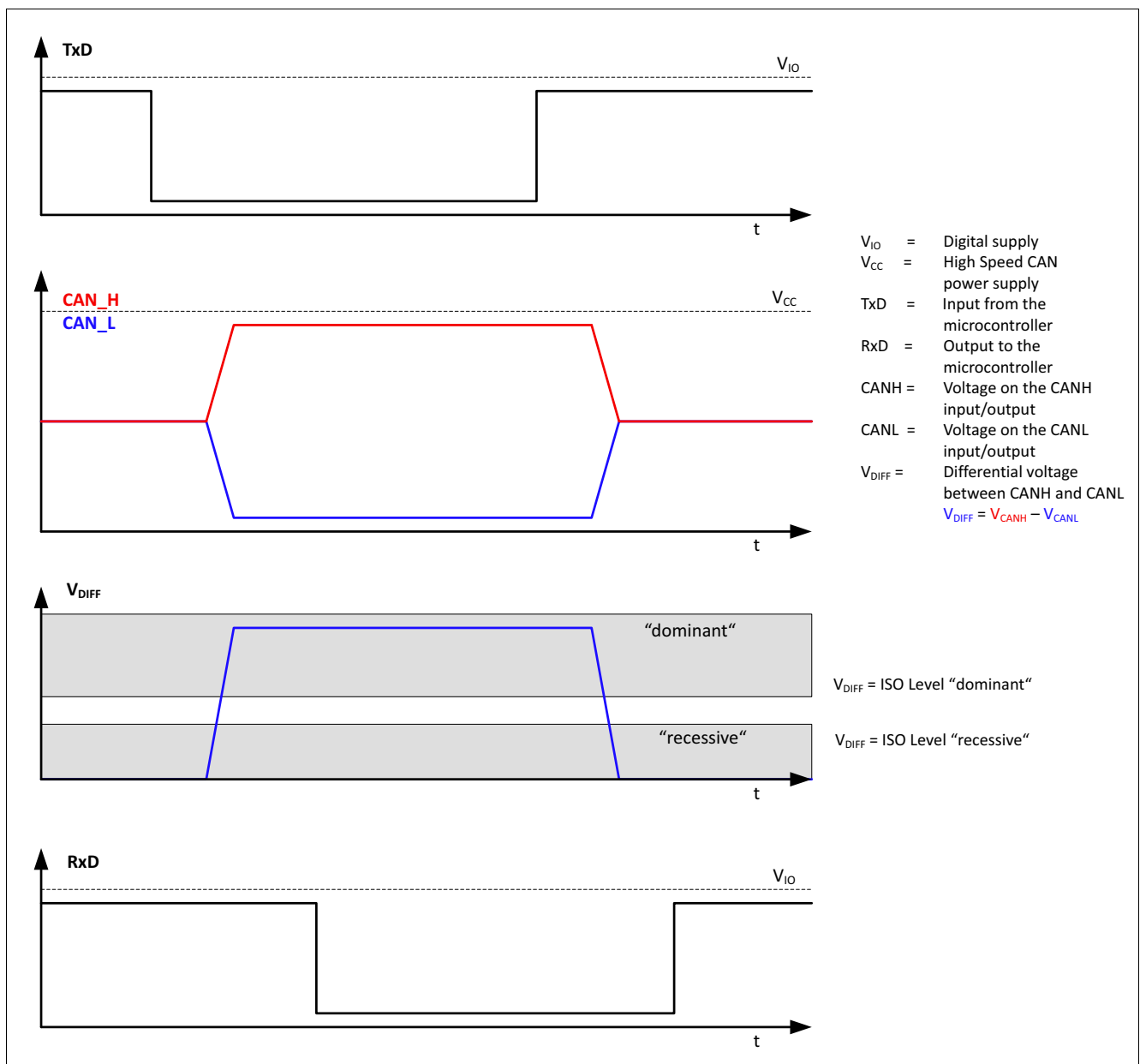


Figure 3 High Speed CAN bus signals and logical signals

The TLE6251D is a High Speed CAN transceiver, operating as an interface between the CAN controller and the physical bus medium. A HS CAN network is a two-wire, differential network, which allows data transmission rates up to 1 Mbps. The characteristics for a HS CAN network are the two signal states on the CAN bus: “dominant” and “recessive” (see [Figure 3](#)).

The CANH and CANL pins are the interface to the CAN bus and both pins operate as an input and output. The RxD and TxD pins are the interface to the microcontroller. The TxD pin is the serial data input from the CAN controller, the RxD pin is the serial data output to the CAN controller. As shown in [Figure 1](#), the HS CAN transceiver TLE6251D includes a receiver and a transmitter unit, allowing the transceiver to send data to the bus medium and monitor the data from the bus medium at the same time. The HS CAN transceiver TLE6251D converts the serial data stream which is available on the transmit data input TxD, into a differential output signal on the CAN bus, provided by the pins CANH and CANL. The receiver stage of the TLE6251D monitors the data on the CAN bus and converts them to a serial, single-ended signal on the RxD output pin. A logical “low” signal on the TxD pin creates a “dominant” signal on the CAN bus, followed by a logical “low” signal on the RxD pin (see [Figure 3](#)). The feature, broadcasting data to the CAN bus and listening to the data traffic on the CAN bus simultaneously is essential to support the bit-to-bit arbitration within CAN networks.

The voltage levels for HS CAN transceivers are defined by the ISO 11898-2 and the ISO 11898-5 standards. Whether a data bit is “dominant” or “recessive” depends on the voltage difference between the CANH and CANL pins: $V_{DIFF} = V_{CANH} - V_{CANL}$.

In comparison with other differential network protocols, the amplitude of the differential signal on a CAN network can only be higher than or equal to 0 V. To transmit a “dominant” signal to the CAN bus, the amplitude of the differential signal V_{DIFF} is higher than or equal to 1.5 V. To receive a “recessive” signal from the CAN bus, the amplitude of the differential V_{DIFF} is lower than or equal to 0.5 V.

“Partially-supplied” High Speed CAN networks are networks in which the CAN bus nodes of one common network have different power supply conditions. Some nodes are connected to the common power supply, while other nodes are disconnected from the power supply and in power-down state. Regardless of whether the CAN bus subscriber is supplied or not, each subscriber connected to the common bus media must not interfere with the communication. The TLE6251D is designed to support “partially-supplied” networks. In the power-down state, the receiver input resistors are switched off and the transceiver input has a high resistance.

For permanently supplied ECUs, the HS CAN transceiver TLE6251D provides a stand-by mode. In stand-by mode, the power consumption of the TLE6251D is optimized to a minimum, while the device is still able to recognize wake-up patterns on the CAN bus and signal a wake-up event to the external microcontroller.

The voltage level on the digital input TxD and the digital output RxD is determined by the power supply level at the V_{IO} pin. Depending on the voltage level at the V_{IO} pin, the signal levels on the logic pins (STB, TxD and RxD) are compatible with microcontrollers having a 5 V or 3.3 V I/O supply. Usually, the V_{IO} power supply of the transceiver is connected to the same power supply as the I/O power supply of the microcontroller.

4.2 Modes of Operation

Two different modes of operation are available on the TLE6251D. Each mode has specific characteristics in terms of quiescent current or data transmission. The digital input pin STB is used for the mode selection. **Figure 4** illustrates the different mode changes depending on the status of the STB pin. After supplying V_{CC} and V_{IO} to the HS CAN transceiver, the TLE6251D starts in stand-by mode. The internal pull-up resistor at the STB pin sets the TLE6251D to stand-by mode by default. If the microcontroller is up and running, the TLE6251D can switch to any operating mode within the time period for mode change t_{MODE} .

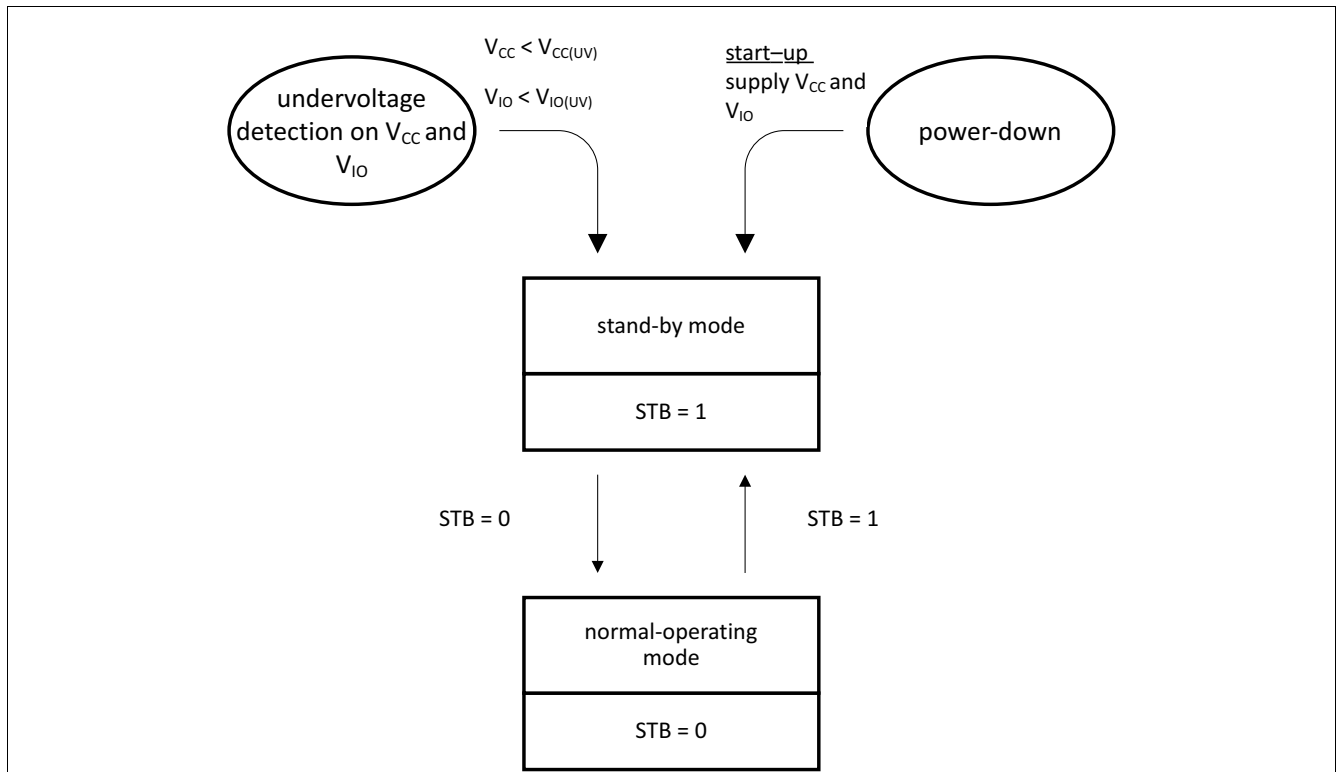


Figure 4 Mode of operation

The TLE6251D has 2 major modes of operation:

- Stand-by mode
- Normal-operating mode

Table 2 Modes of Operation

Mode	STB	Bus Bias	Comment
Normal-operating mode	“low”	$V_{CC}/2$	The transmitter is active. The normal mode receiver is active. The low-power receiver is disabled.
Stand-by mode V_{CC} on V_{IO} on	“high”	GND	The transmitter is disabled. The normal mode receiver is disabled. The low-power receiver is active.
Stand-by mode V_{CC} off V_{IO} on	“high”	GND	The transmitter is disabled. The normal mode receiver is disabled. The low-power receiver is active.
Power-down state V_{CC} off V_{IO} off	Don't care	Floating	The transmitter is disabled. The normal mode receiver is disabled. The low-power receiver is disabled.

4.3 Normal-operating Mode

In the normal-operating mode, the HS CAN transceiver TLE6251D sends the serial data stream on the TxD pin to the CAN bus. The data on the CAN bus is displayed at the RxD pin simultaneously. In normal-operating mode, all functions of the TLE6251D are active:

- The transmitter is active and drives data from the TxD to the CAN bus.
- The receiver is active and provides the data from the CAN bus to the RxD pin.
- The low-power receiver is disabled.
- The bus basing is set to $V_{CC}/2$.
- The undervoltage monitoring on the power supply V_{CC} and on the power supply V_{IO} is active.
- The overtemperature protection is active.

To enter the normal-operating mode, set the STB pin to logical “low” (see [Table 2](#) or [Figure 4](#)). The STB pin has an internal pull-up resistor to the power-supply V_{IO} .

4.4 Stand-by Mode

Stand-by mode is an idle mode of the TLE6251D with optimized power consumption. In stand-by mode, the TLE6251D can not send or receive any data. The normal mode receiver is switched off and only the low-power receiver is active. An additional filter, implemented inside the low-power receiver ensures that only “dominant” and “recessive” signals on the CAN bus, which are longer than the bus wake-up time t_{WU} are indicated at the RxD output pin.

- The transmitter is disabled, and permanently “recessive”.
- The input TxD is disabled.
- The normal mode receiver is disabled.
- The low-power receiver is active.
- The RxD output is “high”, in case no wake-up signal on the CAN bus is detected (see [Figure 5](#)).
- The RxD output toggles according to the wake-up signal on the CAN bus (see [Figure 5](#)).
- The undervoltage monitoring on the power supply V_{CC} is disabled.
- The undervoltage monitoring on the power supply V_{IO} is active.
- The bus biasing is set to GND.
- The overtemperature protection is not active.

To enter the stand-by mode, set the pin STB to logical “high” (see [Table 2](#) or [Figure 4](#)). The STB pin has an internal pull-up resistor to the power-supply V_{IO} . In case the stand-by mode is not be used in the final application, the STB pin needs to get connected to GND.

4.5 Power-down State

The power-down state means that the TLE6251D is not supplied. In the power-down state, the differential input resistors of the receiver are switched off. The CANH and CANL bus interface of the TLE6251D acts as a high-impedance input with a very small leakage current. The high-ohmic input does not influence the “recessive” level of the CAN network and allows an optimized EME performance of the entire CAN network.

4.6 Remote Wake-up

The TLE6251D has a remote wake-up feature, also called bus wake-up feature. In stand-by mode, the low-power receiver monitors the activity on the CAN bus and in case it detects a wake-up signal, the TLE6251D indicates the wake-up signal on the RxD output pin.

While entering into stand-by mode by setting the STB pin to logical “high”, the RxD output pin is set to logical “high”, regardless of the signal on the CAN bus. The low-power receiver of the TLE6251D requires a signal change from “recessive” to “dominant” on the CAN bus before the RxD output is enabled and follows the signal on the CAN bus.

CAN bus signals, “dominant” or “recessive”, with a pulse width above the bus wake-up time $t > t_{WU}$ are indicated on the RxD output pin (see **Figure 5**).

The wake-up logic is supplied by the power supply V_{IO} (see **Figure 1**). In case the TLE6251D is in stand-by mode, the power supply V_{CC} can be turned off, while the TLE6251D is still able to detect the wake-up pattern on the CAN bus.

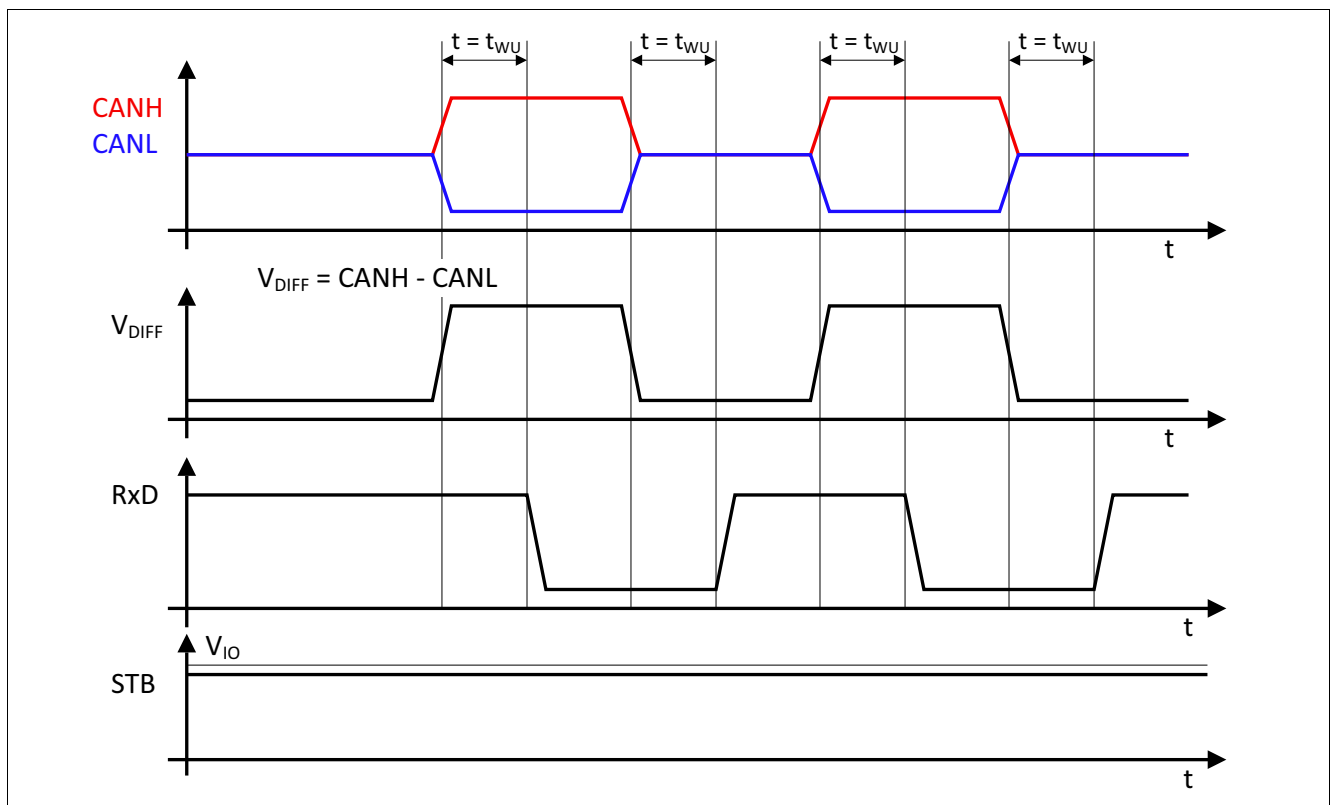


Figure 5 Wake-up pattern

4.7 Voltage Adaption to the Microcontroller Supply

The HS CAN transceiver TLE6251D has two different power supplies, V_{CC} and V_{IO} . The power supply V_{CC} supplies the transmitter and the normal mode receiver, the power supply V_{IO} supplies the digital input and output buffers, the low-power receiver and the wake-up logic. To adjust the digital input and output levels of the TLE6251D to the I/O levels of the external microcontroller, the power supply V_{IO} should be connected to the microcontroller pad supply (see **Figure 13**).

Supplying the low-power receiver by the V_{IO} pin allows to switch off the V_{CC} supply in stand-by mode and leads to an additional reduction of the quiescent current in stand-by mode.

5 Fail Safe Functions

5.1 Short-circuit Protection

The CANH and CANL bus outputs are short-circuit proof, either against GND or a positive supply voltage. A current limiting circuit protects the transceiver against damages. If the device heats up due to a continuous short on the CANH or CANL, the internal overtemperature protection switches off the bus transmitter.

5.2 Unconnected Logical Pins

All logical input pins have an internal pull-up resistor to V_{IO} . In case the V_{IO} supply is activated and the logical pins are open or floating, the TLE6251D enters the stand-by mode by default. In stand-by mode, the transmitter of the TLE6251D is disabled, the bus bias is turned off and the input resistors of CANH and CANL are connected to GND. The HS CAN transceiver TLE6251D will not influence the data on the CAN bus.

5.3 TxD Time-out Function

The TxD time-out feature protects the CAN bus against permanent blocking in case the logical signal on the TxD pin is continuously “low”. A continuous “low” signal on the TxD pin can have its root cause in a locked-up microcontroller or in a short on the printed circuit board, for example. In normal-operating mode, a logical “low” signal on the TxD pin for the time $t > t_{TxD}$ enables the TxD time-out feature and the TLE6251D disables the transmitter (see [Figure 6](#)). The receive unit is still active and the data on the bus continue to be monitored by the RxD output pin.

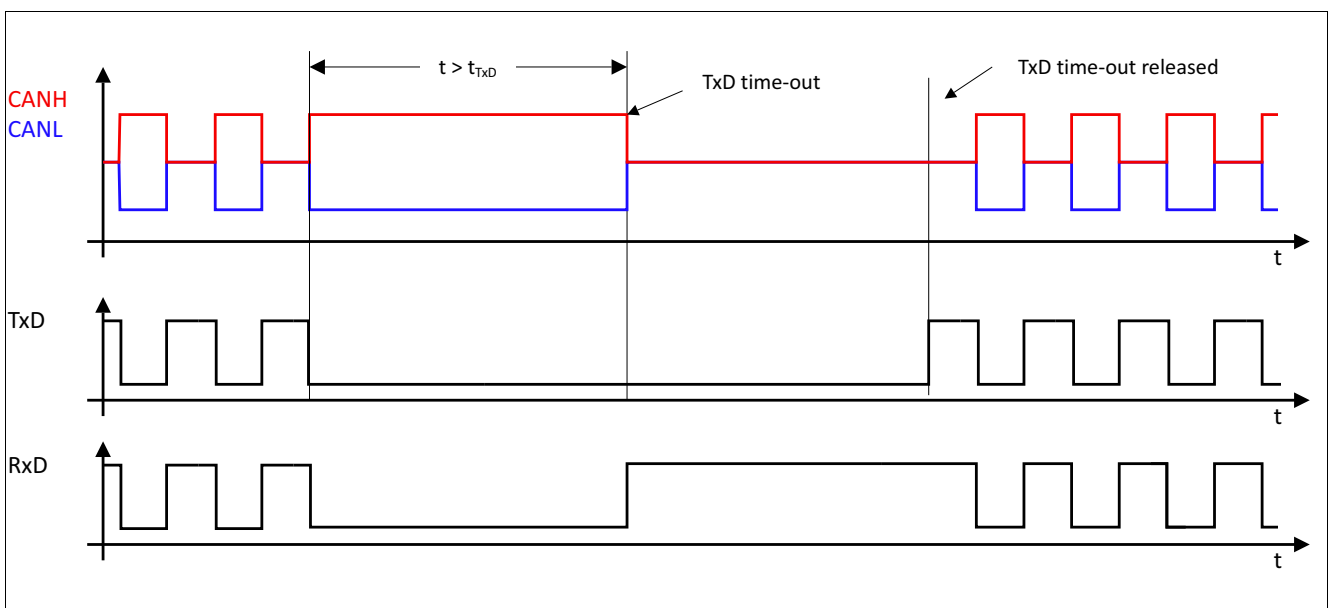


Figure 6 TxD Time-out function

[Figure 6](#) shows how the transmitter is deactivated and re-activated again. A permanent “low” signal on the TxD input pin activates the TxD time-out function and deactivates the transmitter. To release the transmitter after a TxD time-out event, the TLE6251D requires a signal change on the TxD input pin from logical “low” to logical “high”.

5.4 Undervoltage Detection

The HS CAN Transceiver TLE6251D is provided with undervoltage detection on the power supply V_{CC} and the power supply V_{IO} . Both undervoltage detection monitors are active in normal-operating mode. In stand-by mode only the V_{IO} undervoltage monitoring is active, the V_{CC} undervoltage monitoring is disabled.

In case the power supply V_{CC} or V_{IO} drops below a voltage level where the transceiver TLE6251D cannot securely send data to the bus or receive data from the bus, the undervoltage detection disables the data communication (see Figure 7).

The transmitter and the receiver are disabled, but the bus biasing remains connected to $V_{CC}/2$. With a falling V_{CC} supply, the “recessive” level of the CAN bus signal decreases respectively.

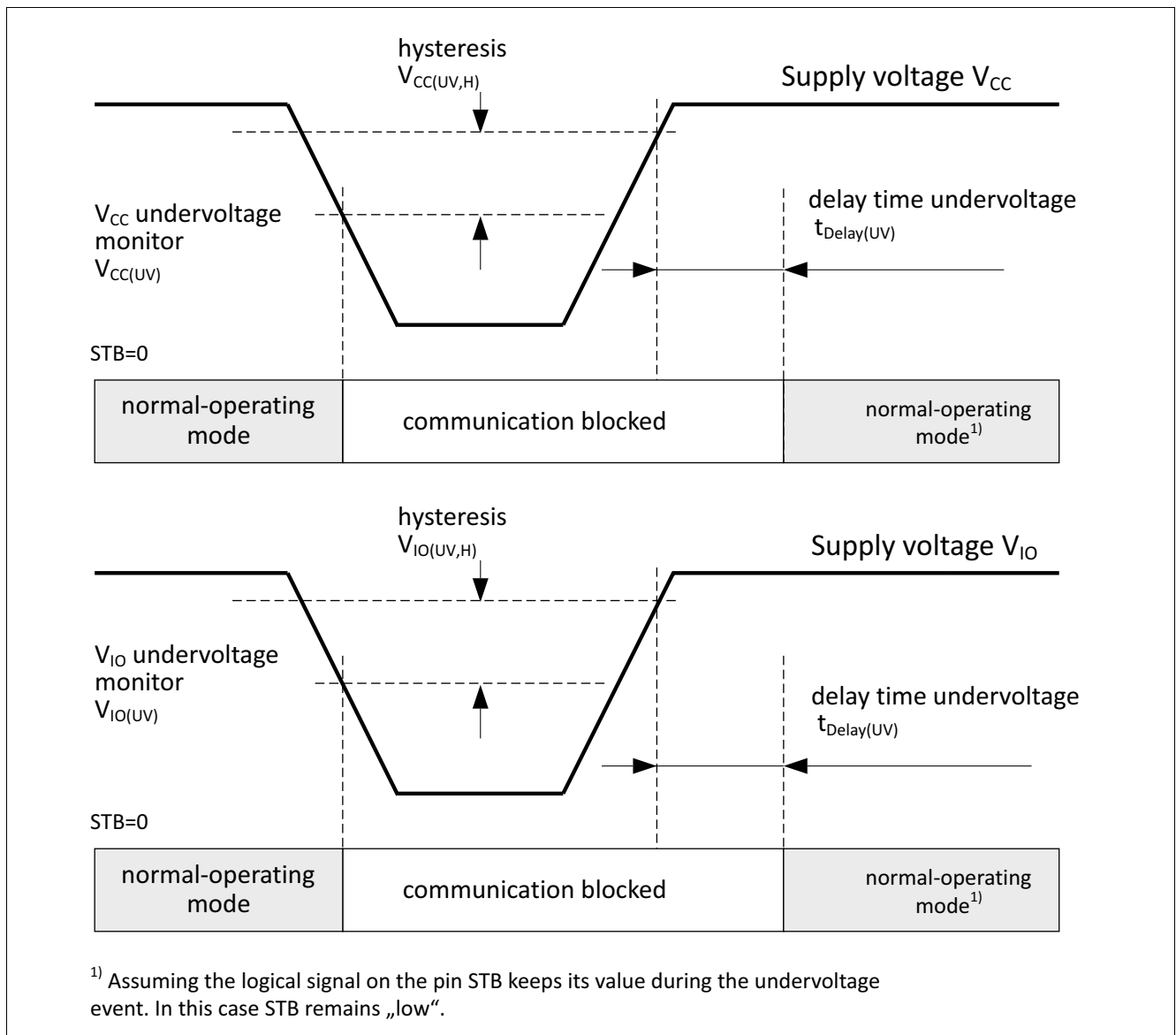


Figure 7 Undervoltage detection on V_{CC} or V_{IO}

5.5 Overtemperature Protection

The TLE6251D has an integrated overtemperature detection circuit to protect the TLE6251D against thermal overstress of the transmitter. The overtemperature protection is active in normal-operating mode and disabled in stand-by mode. In case of an overtemperature condition, the temperature sensor will disable the transmitter (see [Figure 1](#)) while the transceiver remains in normal-operating mode.

After the device cools down the transmitter is activated again (see [Figure 8](#)). A hysteresis is implemented within the temperature sensor.

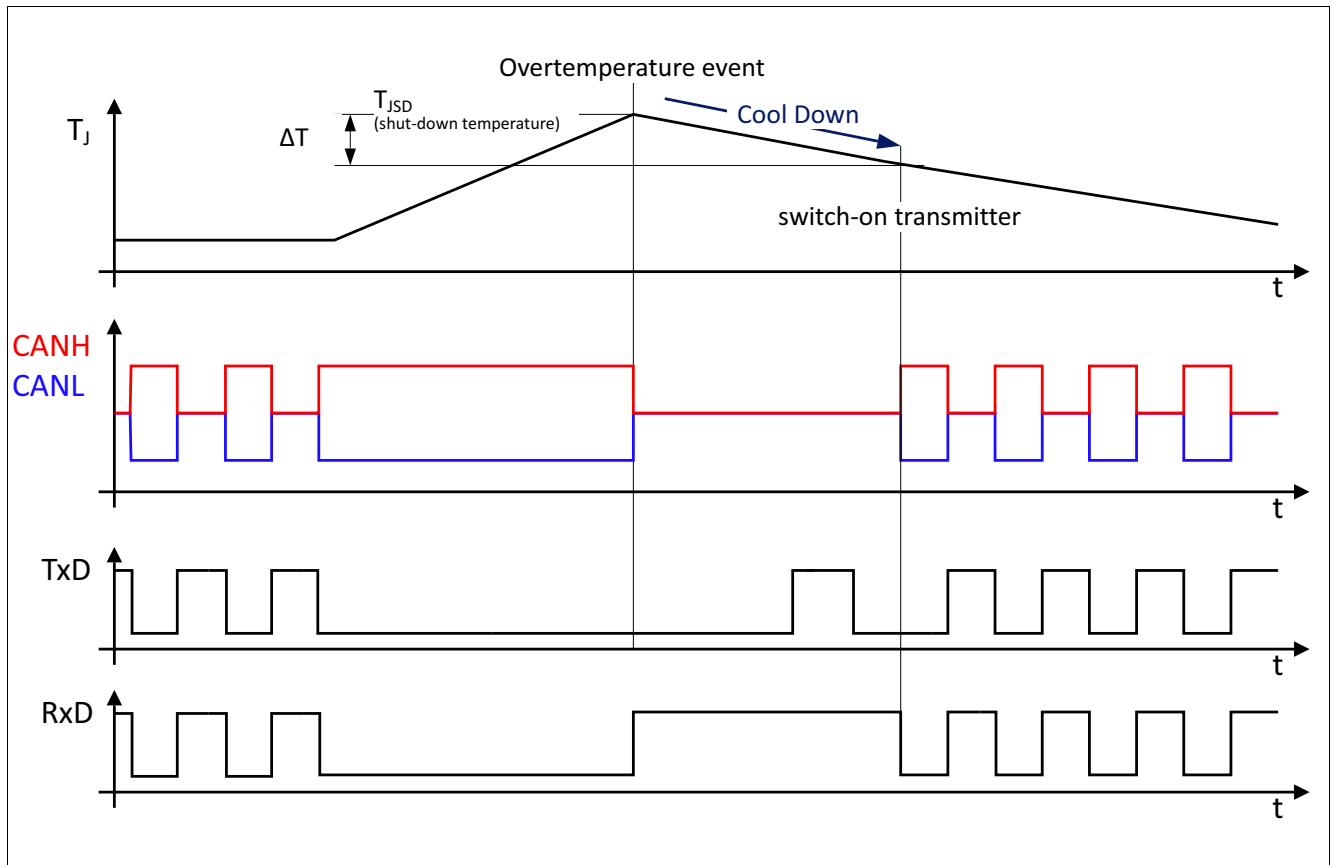


Figure 8 Overtemperature protection

5.6 Mode Changes during CAN Bus Failures

Failures on the CAN bus, like for example a short to the battery supply, might cause a permanent “dominant” signal on the CAN bus and block the communication. Disregarding the signal on the CAN bus, the HS CAN transceiver TLE6251D can change its operating mode from normal-operating mode to stand-by mode and vice versa.

While entering stand-by mode by setting the STB pin to logical “high”, the RxD output pin is set to logical “high”, regardless if the CAN bus signal is “recessive” or “dominant”.

In stand-by mode the TLE6251D requires a mode change from “recessive” to “dominant” once, before the RxD output follows the signals on the CAN bus. After detecting one signal change from “recessive” to “dominant” on the CAN bus; a “recessive” CAN bus signal is indicated on the RxD output pin by a logical “high” signal and a “dominant” CAN bus signal is indicated by a logical “low” signal, as long the pulse width of the CAN bus signals is above the bus wake-up time $t > t_{WU}$ (see [Figure 9](#)).

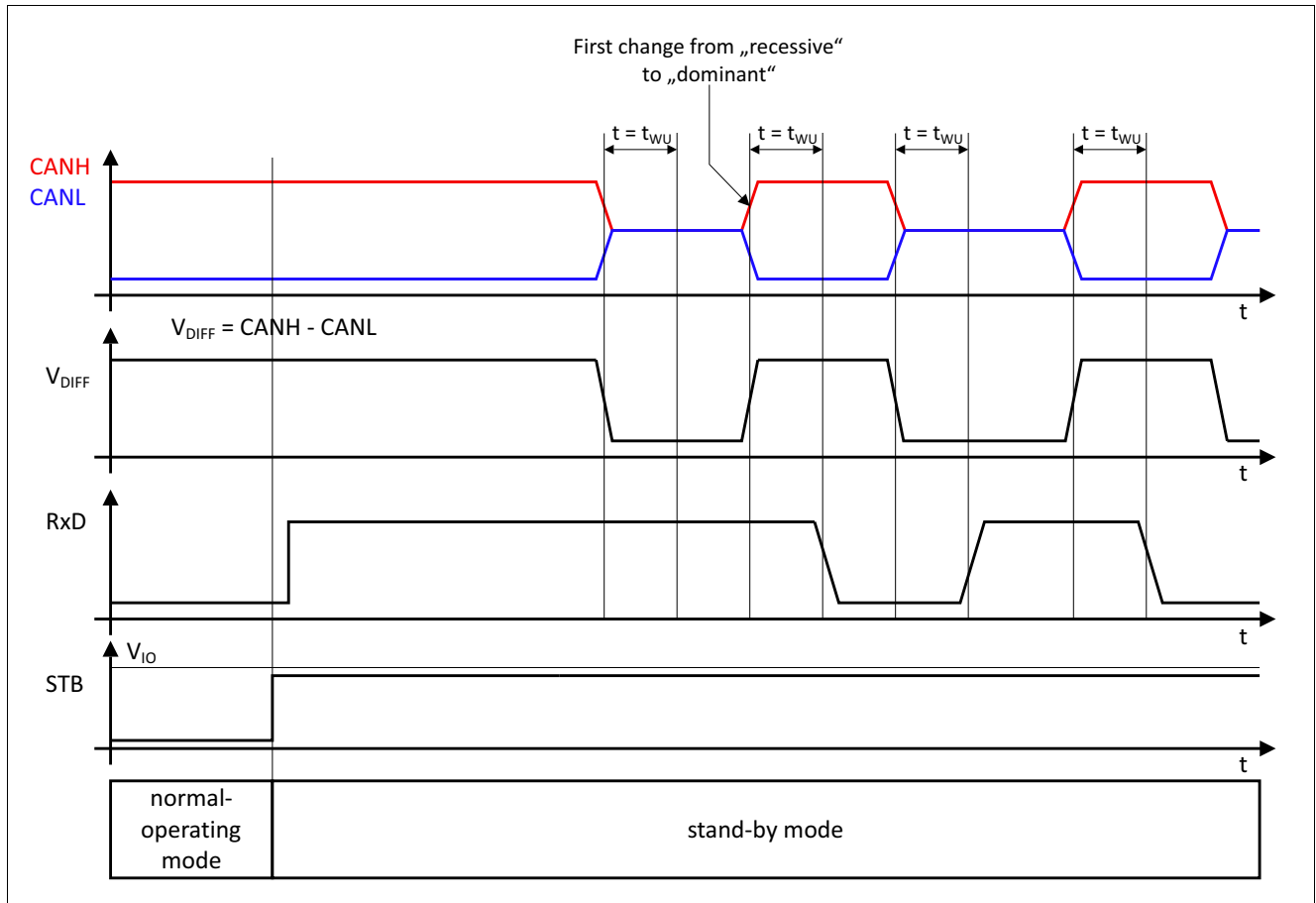


Figure 9 Change to stand-by mode during bus “dominant”

5.7 Delay Time for Mode Change

During the mode change from stand-by mode to normal-operating mode or vice versa, the internal receive unit switches from the low-power receiver to the normal mode receiver and vice versa. In order to avoid any bit toggling on the RxD output pin, the RxD output is set to logical “high” during the mode change for the time t_{Mode} (see [Figure 10](#)) and is not reflecting the signal on the CAN bus.

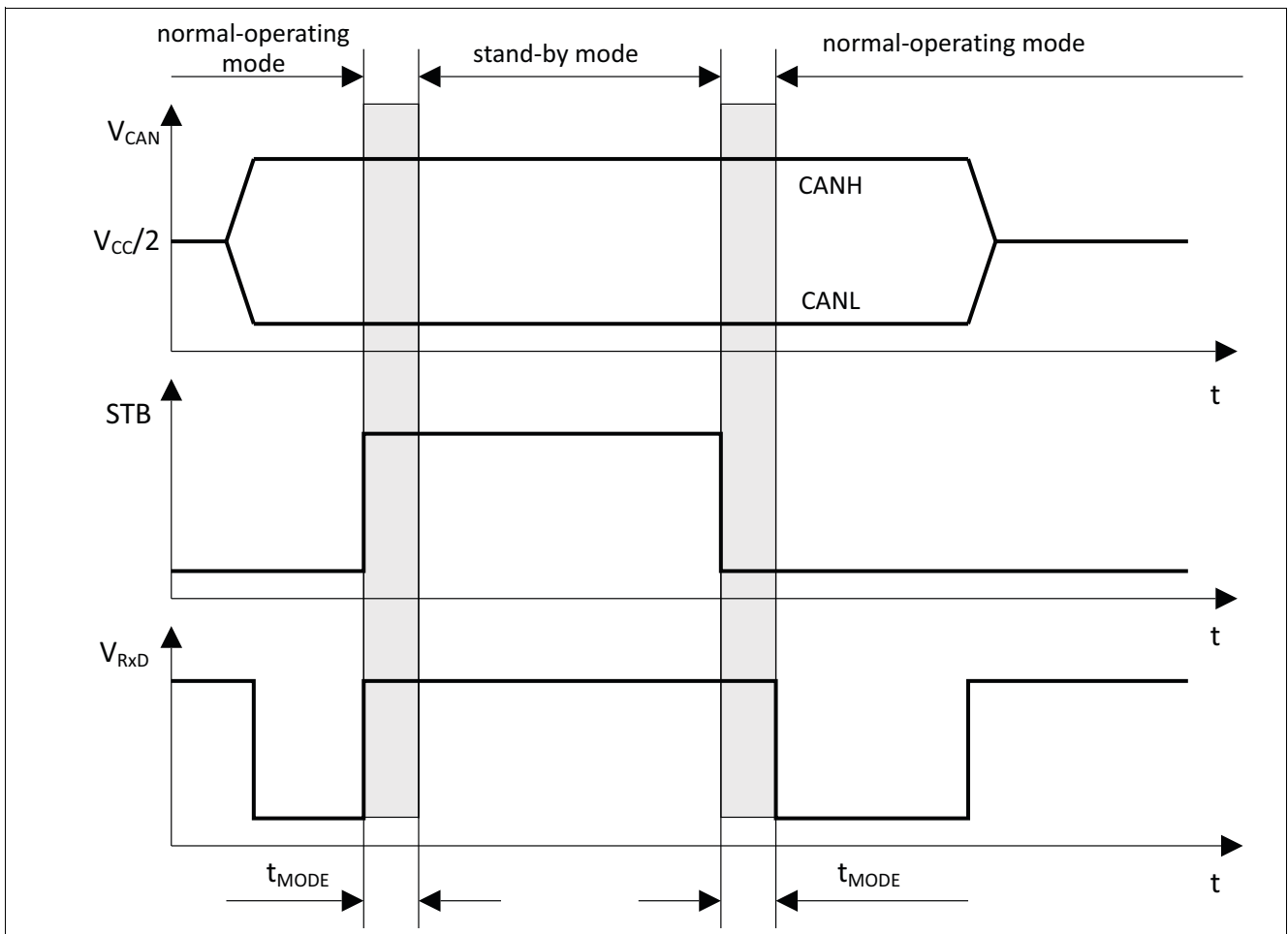


Figure 10 Signal on the RxD pin during a mode change

6 General Product Characteristics

6.1 Absolute Maximum Ratings

Table 3 Absolute Maximum Ratings Voltages, Currents and Temperatures¹⁾

All voltages with respect to ground; positive current flowing into pin
(unless otherwise specified)

Pos.	Parameter	Symbol	Limit Values		Unit	Remarks
			Min.	Max.		
Voltages						
6.1.1	Supply voltage	V_{CC}	-0.3	6.0	V	–
6.1.2	Logic supply voltage	V_{IO}	-0.3	6.0	V	–
6.1.3	CANH DC voltage versus GND	V_{CANH}	-40	40	V	–
6.1.4	CANL DC voltage versus GND	V_{CANL}	-40	40	V	–
6.1.5	Differential voltage between CANH and CANL	$V_{CAN\ diff}$	-40	40	V	–
6.1.6	Logic voltages at logic input pins STB, TxD	V_{Max_in}	-0.3	6.0	V	–
6.1.7	Logic voltages at logic output pin RxD	V_{Max_Out}	-0.3	V_{IO}	V	–
Temperatures						
6.1.8	Junction temperature	T_j	-40	150	°C	–
6.1.9	Storage temperature	T_S	-55	150	°C	–
ESD Resistivity						
6.1.10	ESD immunity at CANH, CANL versus GND	$V_{ESD_HBM_CAN}$	-8	8	kV	HBM (100pF via 1.5 k Ω) ²⁾
6.1.11	ESD immunity at all other pins	$V_{ESD_HBM_All}$	-2	2	kV	HBM (100pF via 1.5 k Ω) ²⁾
6.1.12	ESD immunity to GND	V_{ESD_CDM}	-750	750	V	CDM ³⁾

1) Not subject to production test, specified by design

2) ESD susceptibility, Human Body Model "HBM" according to ANSI/ESDA/JEDEC JS-001

3) ESD susceptibility, Charge Device Model "CDM" according to EIA/JESD22-C101 or ESDA STM5.3.1

Note: Stresses above the ones listed here may cause permanent damage to the device. Exposure to absolute maximum rating conditions for extended periods may affect device reliability.

Note: Integrated protection functions are designed to prevent IC destruction under fault conditions described in the data sheet. Fault conditions are considered as "outside" normal operating range. Protection functions are not designed for continuous repetitive operation.

6.2 Functional Range

Table 4 Operating Range

Pos	Parameter	Symbol	Limit Values		Unit	Remarks
			Min.	Max.		
Supply Voltages						
6.2.1	Transceiver supply voltage	V_{CC}	4.5	5.5	V	–
6.2.2	Digital supply voltage	V_{IO}	3.0	5.5	V	–
Thermal Parameters						
6.2.3	Junction temperature	T_j	-40	150	°C	1)

1) Not subject to production test, specified by design.

Note: Within the functional range, the IC operates as described in the circuit description. The electrical characteristics are specified within the conditions given in the related electrical characteristics table.

6.3 Thermal Resistance

Note: This thermal data was generated in accordance with JEDEC JESD51 standards. For more information, please visit www.jedec.org.

Table 5 Thermal Resistance¹⁾

Pos.	Parameter	Symbol	Limit Values			Unit	Conditions
			Min.	Typ.	Max.		
Thermal Resistances							
6.3.1	Junction to ambient	R_{thJA}	–	130	–	K/W	2)
Thermal Shutdown (junction temperature)							
6.3.2	Thermal shutdown temperature	T_{JSD}	150	175	200	°C	–
6.3.3	Thermal shutdown hyst.	ΔT	–	10	–	K	–

1) Not subject to production test, specified by design

2) The R_{thJA} value specified is according to Jecdec JESD51-2,-7 at natural convection on FR4 2s2p board; The product (TLE6251D) was simulated on a 76.2 x 114.3 x 1.5 mm board with 2 inner copper layers (2 x 70µm Cu, 2 x 35µm Cu).

7 Electrical Characteristics

7.1 Functional Device Characteristics

Table 6 Electrical Characteristics

4.5 V < V_{CC} < 5.5 V; 3.0 V < V_{IO} < 5.5 V; $R_L = 60 \Omega$; $-40 \text{ }^\circ\text{C} < T_j < 150 \text{ }^\circ\text{C}$; all voltages with respect to ground; positive current flowing into pin; unless otherwise specified.

Pos.	Parameter	Symbol	Limit Values			Unit	Remarks
			Min.	Typ.	Max.		
Current Consumption							
7.1.1	Current consumption at V_{CC} normal-operating mode	I_{CC}	–	2	6	mA	“recessive” state, $V_{\text{TXD}} = V_{\text{IO}}$, STB = “low”;
7.1.2	Current consumption at V_{CC} normal-operating mode	I_{CC}	–	35	60	mA	“dominant” state, $V_{\text{TXD}} = 0 \text{ V}$. STB = “low”;
7.1.3	Current consumption at V_{IO} - normal-operating mode	I_{VIO}	–	–	1	mA	STB = “low”;
7.1.4	Current consumption at V_{CC} stand-by mode	$I_{\text{VCC(STB)}}$	–	–	5	μA	$V_{\text{TXD}} = V_{\text{IO}}$, $V_{\text{CC}} = 5 \text{ V}$;
7.1.5	Current consumption at V_{IO} stand-by mode	$I_{\text{VIO(STB)}}$	–	–	25	μA	$V_{\text{IO}} = 5 \text{ V}$, $V_{\text{TXD}} = V_{\text{IO}}$;
7.1.6	Current consumption at V_{IO} stand-by mode	$I_{\text{VIO(STB)}}$	–	15	21	μA	$V_{\text{IO}} = 5 \text{ V}$, $V_{\text{TXD}} = V_{\text{IO}}$, $T_j = 40 \text{ }^\circ\text{C}$;
Supply Resets							
7.1.7	V_{CC} undervoltage monitor	$V_{\text{CC(UV)}}$	3.8	4.0	4.3	V	rising edge;
7.1.8	V_{CC} undervoltage monitor hysteresis	$V_{\text{CC(UV,H)}}$	–	150	–	mV	¹⁾
7.1.9	V_{IO} undervoltage monitor	$V_{\text{IO(UV)}}$	1.2	2.0	3.0	V	rising edge;
7.1.10	V_{IO} undervoltage monitor hysteresis	$V_{\text{CC(UV,H)}}$	–	200	–	mV	¹⁾
7.1.11	V_{CC} and V_{IO} undervoltage delay time	$t_{\text{Delay(UV)}}$	–	–	50	μs	¹⁾ (see Figure 7);
Receiver Output: RxD							
7.1.13	“High” level output current	$I_{\text{RD,H}}$	–	-4	-2	mA	$V_{\text{RxD}} = V_{\text{IO}} - 0,4 \text{ V}$, $V_{\text{DIFF}} < 0.5 \text{ V}$;
7.1.14	“Low” level output current	$I_{\text{RD,L}}$	2	4	–	mA	$V_{\text{RxD}} = 0.4 \text{ V}$, $V_{\text{DIFF}} > 0.9 \text{ V}$;
Transmission Input: TxD							
7.1.15	“High” level input voltage threshold	$V_{\text{TD,H}}$	–	$0.5 \times V_{\text{IO}}$	$0.7 \times V_{\text{IO}}$	V	“recessive” state;
7.1.16	“Low” level input voltage threshold	$V_{\text{TD,L}}$	$0.3 \times V_{\text{IO}}$	$0.4 \times V_{\text{IO}}$	–	V	“dominant” state;
7.1.18	TxD pull-up resistance	R_{TD}	10	25	50	k Ω	–
7.1.19	TxD input hysteresis	$V_{\text{HYS(TxD)}}$	–	800	–	mV	¹⁾
7.1.20	TxD permanent dominant disable time	t_{TxD}	4.5	–	16	ms	–

Electrical Characteristics
Table 6 Electrical Characteristics (cont'd)

4.5 V < V_{CC} < 5.5 V; 3.0 V < V_{IO} < 5.5 V; $R_L = 60 \Omega$; $-40 \text{ }^\circ\text{C} < T_j < 150 \text{ }^\circ\text{C}$; all voltages with respect to ground; positive current flowing into pin; unless otherwise specified.

Pos.	Parameter	Symbol	Limit Values			Unit	Remarks
			Min.	Typ.	Max.		
Stand-by Input: STB							
7.1.21	“High” level input voltage threshold	$V_{STB,H}$	–	$0.5 \times V_{IO}$	$0.7 \times V_{IO}$	V	stand-by mode;
7.1.22	“Low” level input voltage threshold	$V_{STB,L}$	$0.3 \times V_{IO}$	$0.4 \times V_{IO}$	–	V	normal-operating mode;
7.1.24	STB pull-up resistance	R_{STB}	10	25	50	k Ω	–
7.1.25	STB input hysteresis	$V_{HYS(STB)}$	–	200	–	mV	¹⁾
Bus Receiver							
7.1.26	Differential receiver threshold “dominant”	V_{DIFF_D}	–	0.75	0.9	V	normal-operating mode;
7.1.27	Differential receiver threshold “recessive”	V_{DIFF_R}	0.5	0.65	–	V	normal-operating mode;
7.1.28	Differential receiver threshold “dominant”	$V_{DIFF_D_STB}$	–	0.8	1.15	V	stand-by mode;
7.1.29	Differential receiver threshold “recessive”	$V_{DIFF_R_STB}$	0.4	0.7	–	V	stand-by mode;
7.1.30	Common Mode Range	CMR	-12	–	12	V	$V_{CC} = 5 \text{ V}$;
7.1.31	Differential receiver hysteresis	$V_{diff,hys}$	–	100	–	mV	¹⁾ normal-operating mode;
7.1.32	CANH, CANL input resistance	R_i	10	20	30	k Ω	“recessive” state;
7.1.33	Differential input resistance	R_{diff}	20	40	60	k Ω	“recessive” state;
7.1.34	Input resistance deviation between CANH and CANL	ΔR_i	- 3	–	3	%	¹⁾ “recessive” state;
7.1.35	Input capacitance CANH, CANL versus GND	C_{In}	–	20	40	pF	¹⁾ $V_{TXD} = V_{IO}$;
7.1.36	Differential input capacitance	C_{InDiff}	–	10	20	pF	¹⁾ $V_{TXD} = V_{IO}$;
Bus Transmitter							
7.1.37	CANL/CANH “recessive” output voltage	$V_{CANL/H}$	2.0	2.5	3.0	V	no load, $V_{TXD} = V_{IO}$, normal-operating mode;
7.1.38	CANH, CANL “recessive” output voltage difference	V_{diff}	-500	–	50	mV	no load, $V_{TXD} = V_{IO}$, normal-operating mode;
7.1.39	CANH, CANL “recessive” output voltage difference	V_{diff}	-0.1	–	0.1	V	no load, stand-by mode;

Electrical Characteristics
Table 6 Electrical Characteristics (cont'd)

4.5 V < V_{CC} < 5.5 V; 3.0 V < V_{IO} < 5.5 V; $R_L = 60 \Omega$; $-40 \text{ }^\circ\text{C} < T_j < 150 \text{ }^\circ\text{C}$; all voltages with respect to ground; positive current flowing into pin; unless otherwise specified.

Pos.	Parameter	Symbol	Limit Values			Unit	Remarks
			Min.	Typ.	Max.		
7.1.40	CANL "dominant" output voltage	V_{CANL}	0.5	–	2.25	V	$V_{TXD} = 0 \text{ V}$, $50 \Omega < R_L < 65 \Omega$, normal-operating mode;
7.1.41	CANH "dominant" output voltage	V_{CANH}	2.75	–	4.5	V	$V_{TXD} = 0 \text{ V}$, $50 \Omega < R_L < 65 \Omega$, normal-operating mode;
7.1.42	CANH, CANL "dominant" output voltage difference $V_{diff} = V_{CANH} - V_{CANL}$	V_{diff}	1.5	–	3.0	V	$4.75 \text{ V} < V_{CC} < 5.25 \text{ V}$, $V_{TXD} = 0 \text{ V}$, $50 \Omega < R_L < 65 \Omega$, normal-operating mode;
7.1.43	Driver symmetry $V_{SYM} = V_{CANH} + V_{CANL}$	V_{SYM}	4.5	5	5.5	V	$V_{TXD} = 0 \text{ V}$, $V_{CC} = 5 \text{ V}$, normal-operating mode;
7.1.44	CANL short-circuit current	I_{CANLsc}	40	75	100	mA	$V_{TXD} = 0 \text{ V}$, $V_{CC} = 5 \text{ V}$, $t < t_{TXD}$, $V_{CANLshort} = 18 \text{ V}$;
7.1.45	CANH short-circuit current	I_{CANHsc}	-100	-75	-40	mA	$V_{TXD} = 0 \text{ V}$, $V_{CC} = 5 \text{ V}$, $t < t_{TXD}$, $V_{CANHshort} = 0 \text{ V}$;
7.1.46	Leakage current, CANH	$I_{CANH,ik}$	-5	–	5	μA	$V_{CC} = 0 \text{ V}$, $V_{CANH} = V_{CANL}$, $0 \text{ V} < V_{CANH} < 5 \text{ V}$;
7.1.47	Leakage current, CANL	$I_{CANL,ik}$	-5	–	5	μA	$V_{CC} = 0 \text{ V}$, $V_{CANH} = V_{CANL}$, $0 \text{ V} < V_{CANL} < 5 \text{ V}$;

Dynamic CAN-Transceiver Characteristics

7.1.50	Propagation delay TxD-to-RxD "low"; ("recessive to "dominant")	$t_{d(L),TR}$	30	180	255	ns	$C_L = 100 \text{ pF}$, $V_{CC} = 5 \text{ V}$, $C_{RXD} = 15 \text{ pF}$;
7.1.51	Propagation delay TxD-to-RxD "high"; ("dominant" to "recessive")	$t_{d(H),TR}$	30	200	255	ns	$C_L = 100 \text{ pF}$, $V_{CC} = 5 \text{ V}$, $C_{RXD} = 15 \text{ pF}$;
7.1.52	Propagation delay TxD "low" to bus "dominant"	$t_{d(L),T}$	–	100	–	ns	¹⁾ $C_L = 100 \text{ pF}$, $V_{CC} = 5 \text{ V}$, $C_{RXD} = 15 \text{ pF}$;
7.1.53	Propagation delay TxD "high" to bus "recessive"	$t_{d(H),T}$	–	90	–	ns	¹⁾ $C_L = 100 \text{ pF}$, $V_{CC} = 5 \text{ V}$, $C_{RXD} = 15 \text{ pF}$;
7.1.54	Propagation delay bus "dominant" to RxD "low"	$t_{d(L),R}$	–	80	–	ns	¹⁾ $C_L = 100 \text{ pF}$, $V_{CC} = 5 \text{ V}$, $C_{RXD} = 15 \text{ pF}$;
7.1.55	Propagation delay bus "recessive" to RxD "high"	$t_{d(H),R}$	–	110	–	ns	¹⁾ $C_L = 100 \text{ pF}$; $V_{CC} = 5 \text{ V}$; $C_{RXD} = 15 \text{ pF}$;
7.1.57	Bus wake-up time	t_{WU}	0.5	3	5	μs	see Figure 5
7.1.58	Delay time for mode change	t_{Mode}	–	–	10	μs	²⁾ see Figure 10

1) Not subject to production test, specified by design

2) Delay time only tested for the mode change from stand-by mode to normal-operating mode. The delay time normal-operating mode to stand-by mode is not subject to production test and specified by design

7.2 Diagrams

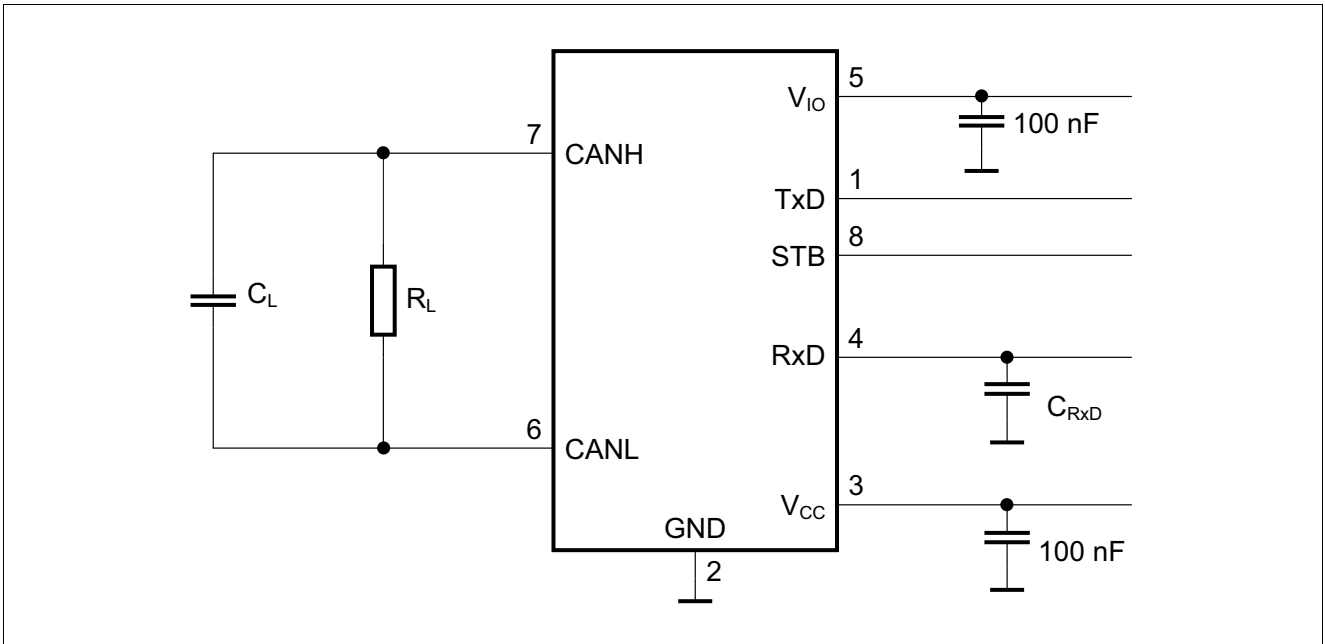


Figure 11 Simplified test circuit

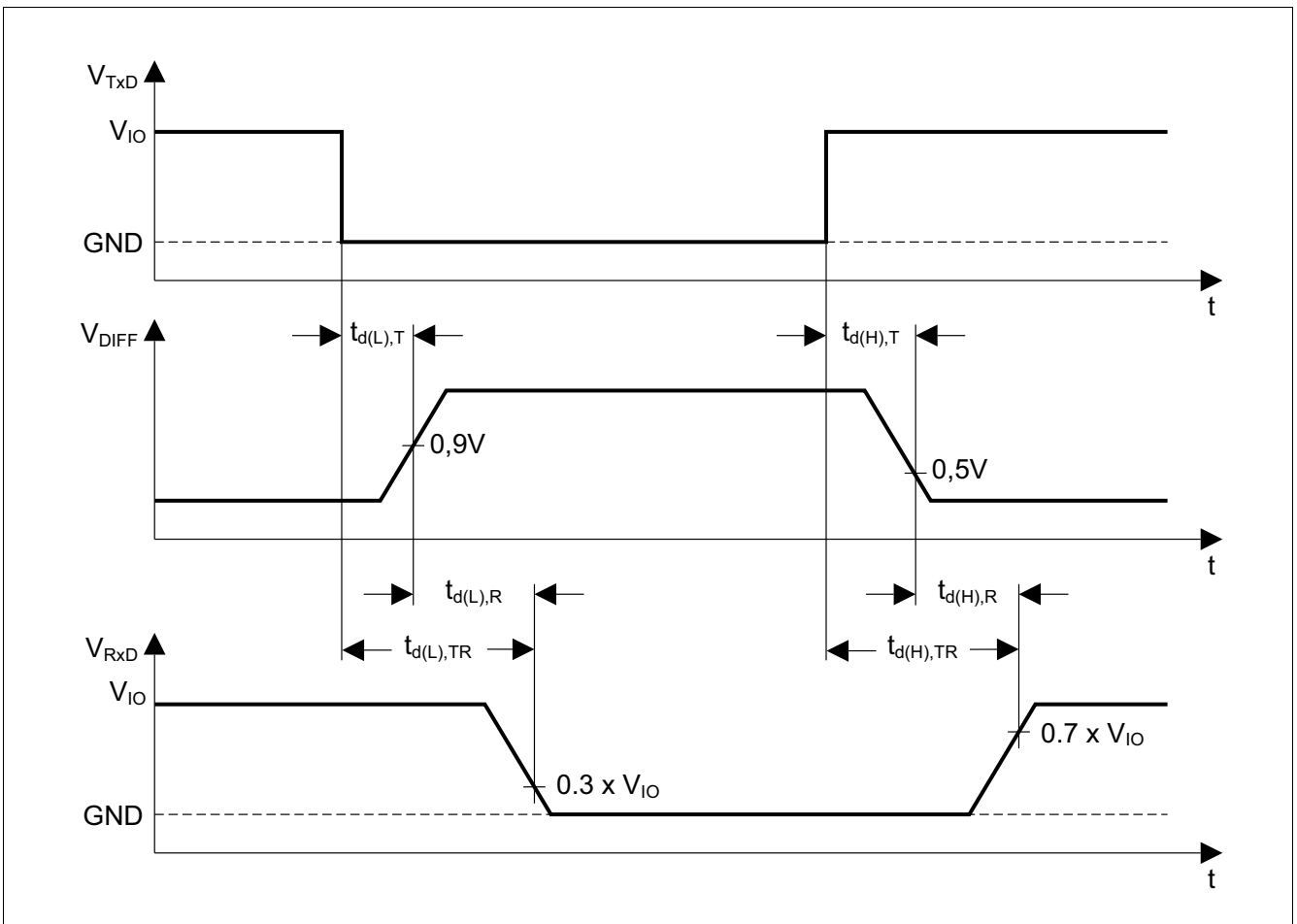


Figure 12 Timing diagrams for dynamic characteristics

8 Application Information

8.1 ESD Immunity According to IEC61000-4-2

Tests for ESD immunity according to IEC61000-4-2, "GUN test" (150 pF, 330 Ω), have been performed. The results and test conditions are available in a separate test report.

Table 7 ESD immunity according to IEC61000-4-2

Test performed	Result	Unit	Remarks
Electrostatic discharge voltage at CANH and CANL pins against GND	≥ + 9	kV	¹⁾ Positive pulse
Electrostatic discharge voltage at pin CANH and CANL pins against GND	≤ - 9	kV	¹⁾ Negative pulse

1) ESD susceptibility "ESD GUN" according to GIFT / ICT paper: "EMC Evaluation of CAN Transceivers, version 03/02/ IEC TS 62228", section 4.3. (DIN EN61000-4-2)

Tested by external test facility (IBEE Zwickau, EMC test report no.: 08-04-12).

8.2 Application Example

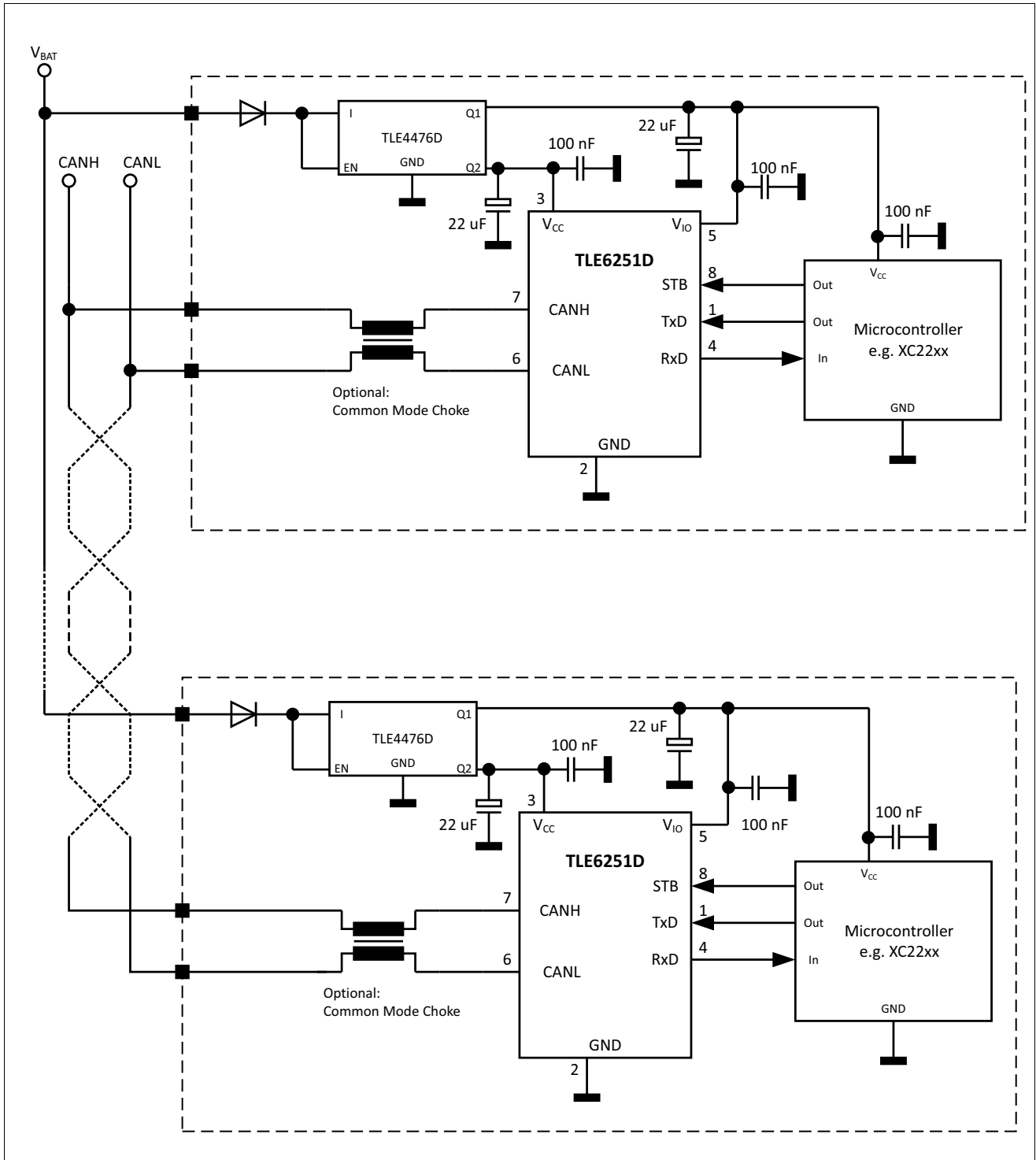


Figure 13 Application circuit

8.3 Further Application Information

- Please contact us for information regarding the pin FMEA.
- For further information you may visit: <http://www.infineon.com/transceiver>

9 Package Outline

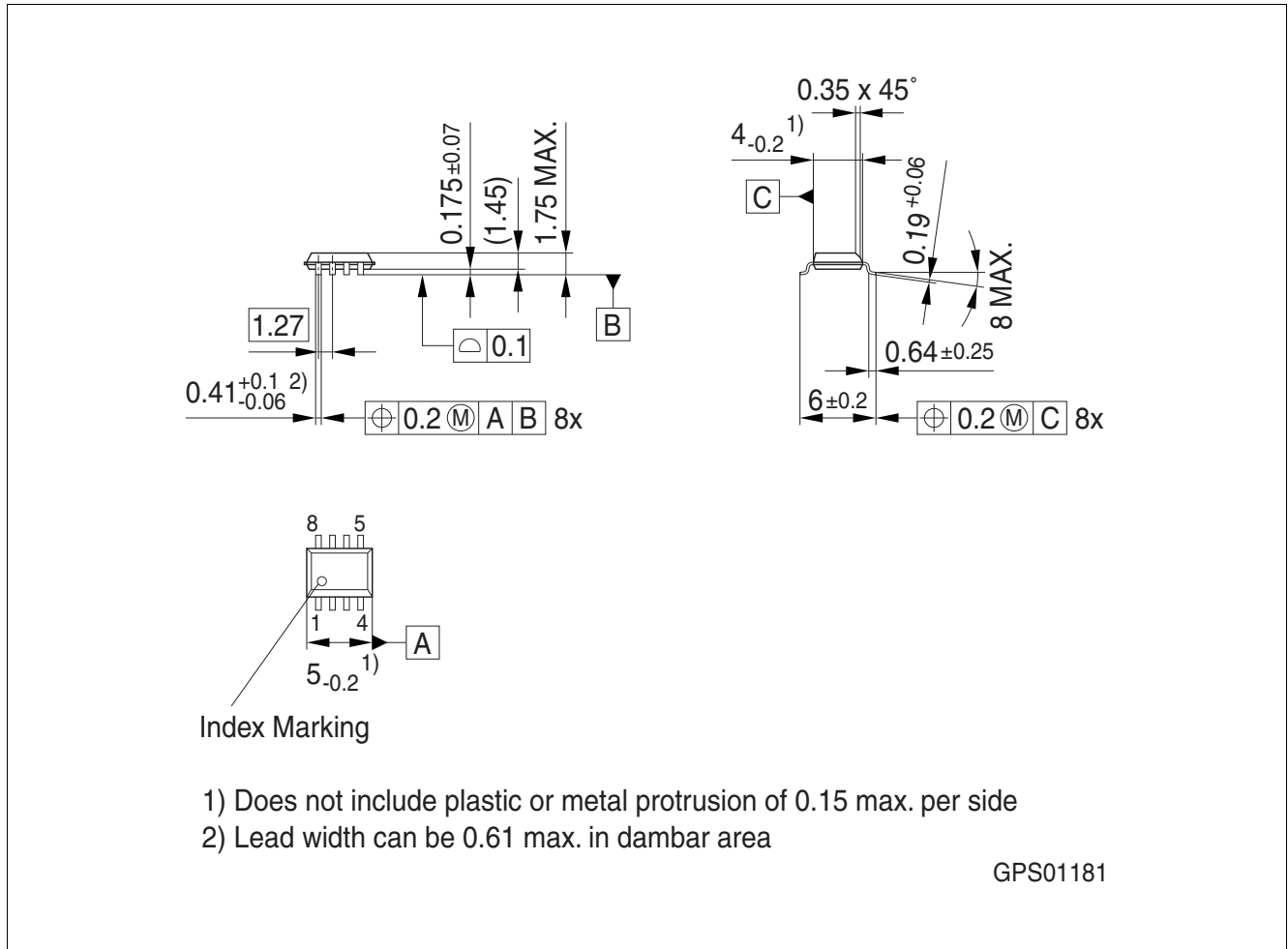


Figure 14 PG-DSO-8 (Plastic Dual Small Outline)

Green Product (RoHS compliant)

To meet the world-wide customer requirements for environmentally friendly products and to be compliant with government regulations, the device is available as a green product. Green products are RoHS compliant (i.e. Pb-free finish on leads and suitable for Pb-free soldering according to IPC/JEDEC J-STD-020).

10 Revision History

Revision	Date	Changes
1.0	2012-07-27	Data Sheet created

Edition 2012-07-27

**Published by
Infineon Technologies AG
81726 Munich, Germany**

**© 2006 Infineon Technologies AG
All Rights Reserved.**

Legal Disclaimer

The information given in this document shall in no event be regarded as a guarantee of conditions or characteristics. With respect to any examples or hints given herein, any typical values stated herein and/or any information regarding the application of the device, Infineon Technologies hereby disclaims any and all warranties and liabilities of any kind, including without limitation, warranties of non-infringement of intellectual property rights of any third party.

Information

For further information on technology, delivery terms and conditions and prices, please contact the nearest Infineon Technologies Office (www.infineon.com).

Warnings

Due to technical requirements, components may contain dangerous substances. For information on the types in question, please contact the nearest Infineon Technologies Office.

Infineon Technologies components may be used in life-support devices or systems only with the express written approval of Infineon Technologies, if a failure of such components can reasonably be expected to cause the failure of that life-support device or system or to affect the safety or effectiveness of that device or system. Life support devices or systems are intended to be implanted in the human body or to support and/or maintain and sustain and/or protect human life. If they fail, it is reasonable to assume that the health of the user or other persons may be endangered.

Mouser Electronics

Authorized Distributor

Click to View Pricing, Inventory, Delivery & Lifecycle Information:

[Infineon:](#)

[TLE6251D](#)