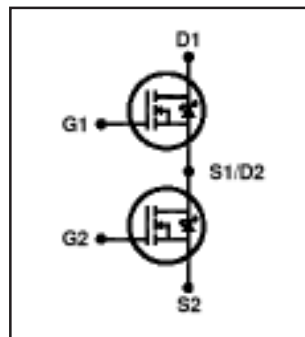


IRFI4212H-117P

Features

- Integrated half-bridge package
- Reduces the part count by half
- Facilitates better PCB layout
- Key parameters optimized for Class-D audio amplifier applications
- Low $R_{DS(ON)}$ for improved efficiency
- Low Q_g and Q_{sw} for better THD and improved efficiency
- Low Q_{rr} for better THD and lower EMI
- Can delivery up to 150W per channel into 4Ω load in half-bridge configuration amplifier
- Lead-free package

| Key Parameters ⑤ | | |
|-------------------------|-----|----|
| V_{DS} | 100 | V |
| $R_{DS(ON)}$ typ. @ 10V | 58 | mΩ |
| Q_g typ. | 12 | nC |
| Q_{sw} typ. | 6.9 | nC |
| $R_{G(int)}$ typ. | 3.4 | Ω |
| T_J max | 150 | °C |



| G1, G2 | D1, D2 | S1, S2 |
|--------|--------|--------|
| Gate | Drain | Source |

Description

This Digital Audio MosFET Half-Bridge is specifically designed for Class D audio amplifier applications. It consists of two power MosFET switches connected in half-bridge configuration. The latest process is used to achieve low on-resistance per silicon area. Furthermore, Gate charge, body-diode reverse recovery, and internal Gate resistance are optimized to improve key Class D audio amplifier performance factors such as efficiency, THD and EMI. These combine to make this Half-Bridge a highly efficient, robust and reliable device for Class D audio amplifier applications.

Absolute Maximum Ratings ⑤

| | Parameter | Max. | Units |
|---------------------------------|--|------------------|-------|
| V_{DS} | Drain-to-Source Voltage | 100 | V |
| V_{GS} | Gate-to-Source Voltage | ±20 | |
| $I_D @ T_C = 25^\circ\text{C}$ | Continuous Drain Current, $V_{GS} @ 10\text{V}$ | 11 | A |
| $I_D @ T_C = 100^\circ\text{C}$ | Continuous Drain Current, $V_{GS} @ 10\text{V}$ | 6.8 | |
| I_{DM} | Pulsed Drain Current ① | 44 | |
| $P_D @ T_C = 25^\circ\text{C}$ | Power Dissipation ④ | 18 | W |
| $P_D @ T_C = 100^\circ\text{C}$ | Power Dissipation ④ | 7.0 | |
| | Linear Derating Factor | 0.14 | W/°C |
| E_{AS} | Single Pulse Avalanche Energy② | 41 | mJ |
| T_J | Operating Junction and | -55 to + 150 | °C |
| T_{STG} | Storage Temperature Range | | |
| | Soldering Temperature, for 10 seconds (1.6mm from case) | 300 | |
| | Mounting torque, 6-32 or M3 screw | 10lb·in (1.1N·m) | |

Thermal Resistance ⑤

| | Parameter | Typ. | Max. | Units |
|-----------------|--------------------------------|------|------|-------|
| $R_{\theta JC}$ | Junction-to-Case ④ | — | 7.1 | °C/W |
| $R_{\theta JA}$ | Junction-to-Ambient (free air) | — | 65 | |

Electrical Characteristics @ $T_J = 25^\circ\text{C}$ (unless otherwise specified) ⑤

| | Parameter | Min. | Typ. | Max. | Units | Conditions |
|--------------------------------|--|------|------|------|----------------------|---|
| BV_{DSS} | Drain-to-Source Breakdown Voltage | 100 | — | — | V | $V_{GS} = 0V, I_D = 250\mu A$ |
| $\Delta BV_{DSS}/\Delta T_J$ | Breakdown Voltage Temp. Coefficient | — | 0.09 | — | V/ $^\circ\text{C}$ | Reference to $25^\circ\text{C}, I_D = 1\text{mA}$ |
| $R_{DS(on)}$ | Static Drain-to-Source On-Resistance | — | 58 | 72.5 | m Ω | $V_{GS} = 10V, I_D = 6.6A$ ③ |
| $V_{GS(th)}$ | Gate Threshold Voltage | 3.0 | — | 5.0 | V | $V_{DS} = V_{GS}, I_D = 250\mu A$ |
| $\Delta V_{GS(th)}/\Delta T_J$ | Gate Threshold Voltage Coefficient | — | -11 | — | mV/ $^\circ\text{C}$ | |
| I_{DSS} | Drain-to-Source Leakage Current | — | — | 20 | μA | $V_{DS} = 100V, V_{GS} = 0V$ |
| | | — | — | 250 | | $V_{DS} = 100V, V_{GS} = 0V, T_J = 125^\circ\text{C}$ |
| I_{GSS} | Gate-to-Source Forward Leakage | — | — | 200 | nA | $V_{GS} = 20V$ |
| | Gate-to-Source Reverse Leakage | — | — | -200 | | $V_{GS} = -20V$ |
| g_{fs} | Forward Transconductance | 11 | — | — | S | $V_{DS} = 50V, I_D = 6.6A$ |
| Q_g | Total Gate Charge | — | 12 | 18 | nC | $V_{DS} = 80V$ $V_{GS} = 10V$ $I_D = 6.6A$ See Fig. 6 and 15 |
| Q_{gs1} | Pre-V _{th} Gate-to-Source Charge | — | 1.6 | — | | |
| Q_{gs2} | Post-V _{th} Gate-to-Source Charge | — | 0.71 | — | | |
| Q_{gd} | Gate-to-Drain Charge | — | 6.2 | — | | |
| Q_{godr} | Gate Charge Overdrive | — | 3.5 | — | | |
| Q_{sw} | Switch Charge ($Q_{gs2} + Q_{gd}$) | — | 6.9 | — | | |
| $R_{G(int)}$ | Internal Gate Resistance | — | 3.4 | — | Ω | |
| $t_{d(on)}$ | Turn-On Delay Time | — | 4.7 | — | ns | $V_{DD} = 50V, V_{GS} = 10V$ ③ $I_D = 6.6A$ $R_G = 2.5\Omega$ |
| t_r | Rise Time | — | 8.3 | — | | |
| $t_{d(off)}$ | Turn-Off Delay Time | — | 9.5 | — | | |
| t_f | Fall Time | — | 4.3 | — | | |
| C_{iss} | Input Capacitance | — | 490 | — | pF | $V_{GS} = 0V$ $V_{DS} = 50V$ $f = 1.0\text{MHz}$, See Fig.5 $V_{GS} = 0V, V_{DS} = 0V$ to $80V$ |
| C_{oss} | Output Capacitance | — | 64 | — | | |
| C_{riss} | Reverse Transfer Capacitance | — | 34 | — | | |
| $C_{oss\ eff.}$ | Effective Output Capacitance | — | 110 | — | | |
| L_D | Internal Drain Inductance | — | 4.5 | — | nH | Between lead, 6mm (0.25in.) from package and center of die contact |
| L_S | Internal Source Inductance | — | 7.5 | — | | |

Diode Characteristics ⑤

| | Parameter | Min. | Typ. | Max. | Units | Conditions |
|--------------------------------|---|------|------|------|-------|---|
| $I_S @ T_C = 25^\circ\text{C}$ | Continuous Source Current (Body Diode) | — | — | 11 | A | MOSFET symbol showing the integral reverse p-n junction diode. |
| I_{SM} | Pulsed Source Current (Body Diode) ① | — | — | 44 | | |
| V_{SD} | Diode Forward Voltage | — | — | 1.3 | V | $T_J = 25^\circ\text{C}, I_S = 6.6A, V_{GS} = 0V$ ③ |
| t_{rr} | Reverse Recovery Time | — | 36 | 54 | ns | $T_J = 25^\circ\text{C}, I_F = 6.6A$ |
| Q_{rr} | Reverse Recovery Charge | — | 56 | 84 | nC | $di/dt = 100A/\mu s$ ③ |

Notes:

- ① Repetitive rating; pulse width limited by max. junction temperature.
- ② Starting $T_J = 25^\circ\text{C}$, $L = 1.9\text{mH}$, $R_G = 25\Omega$, $I_{AS} = 6.6A$.
- ③ Pulse width $\leq 400\mu s$; duty cycle $\leq 2\%$.
- ④ R_{θ} is measured at T_J of approximately 90°C .
- ⑤ Specifications refer to single MosFET.

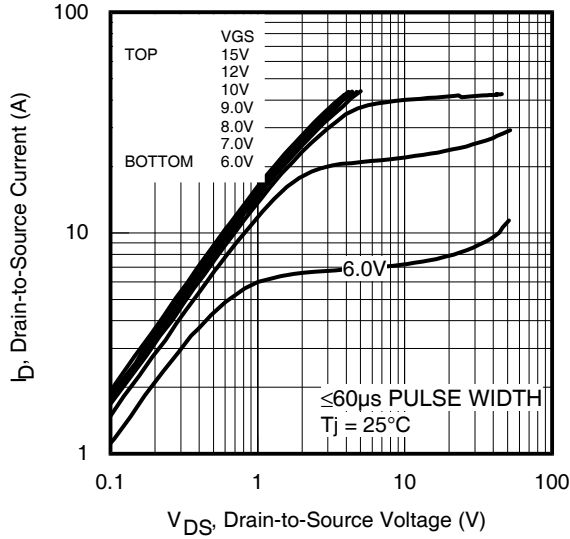


Fig 1. Typical Output Characteristics

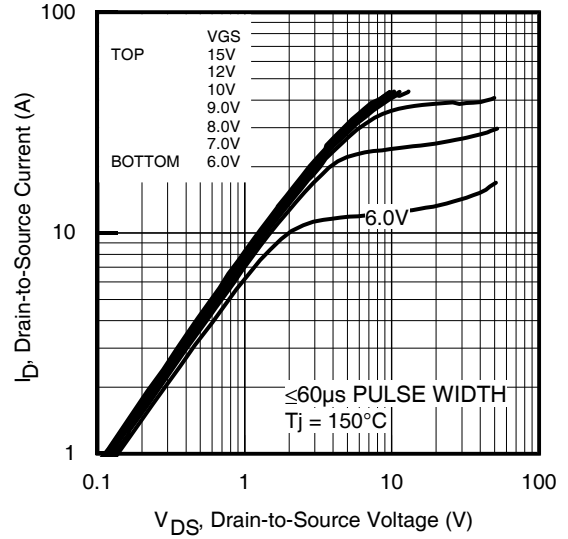


Fig 2. Typical Output Characteristics

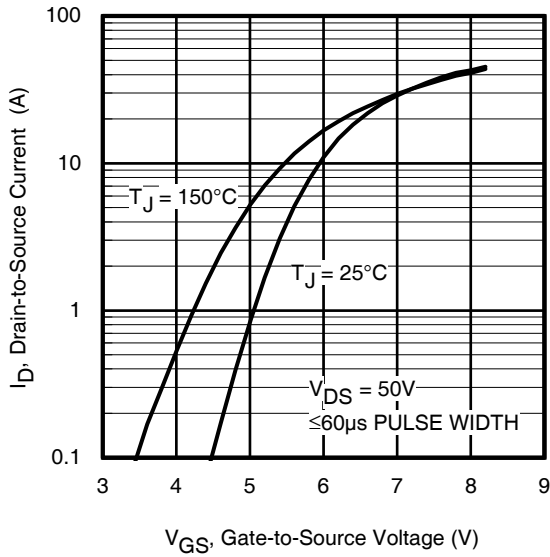


Fig 3. Typical Transfer Characteristics

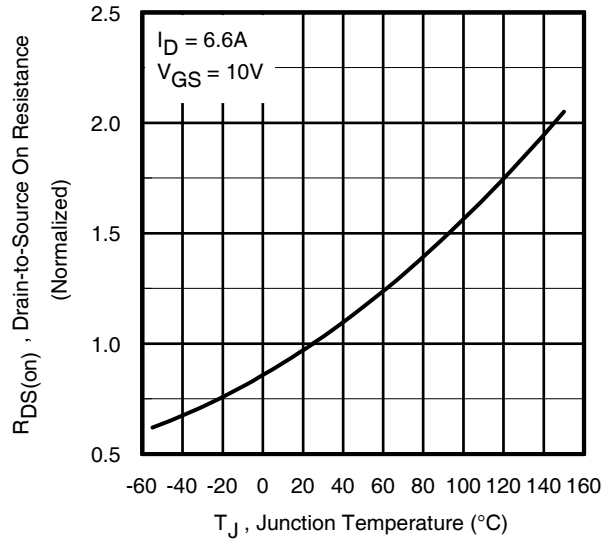


Fig 4. Normalized On-Resistance vs. Temperature

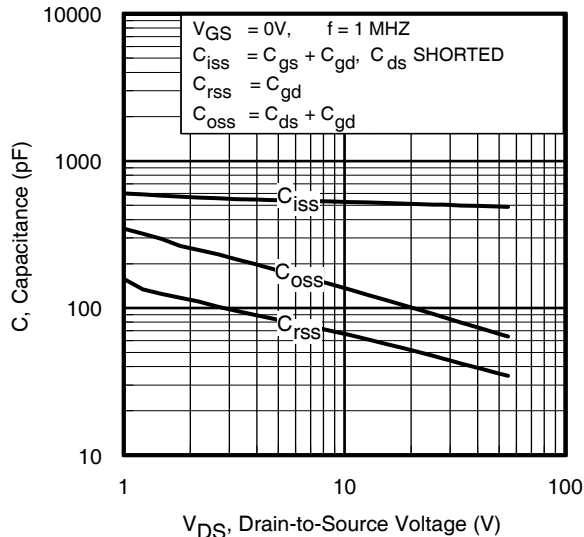


Fig 5. Typical Capacitance vs. Drain-to-Source Voltage
 www.irf.com

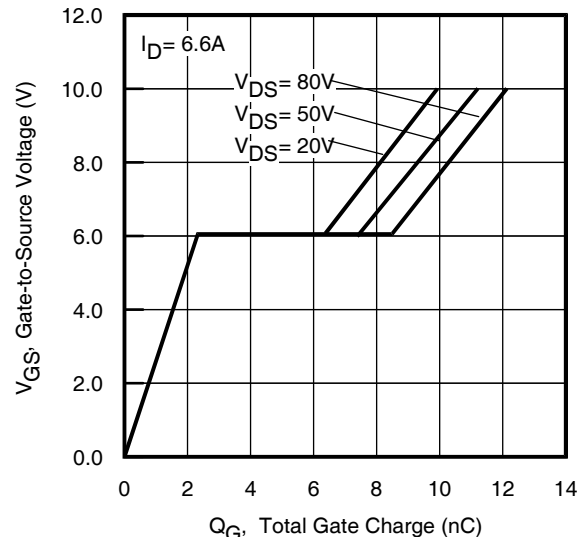


Fig 6. Typical Gate Charge vs. Gate-to-Source Voltage

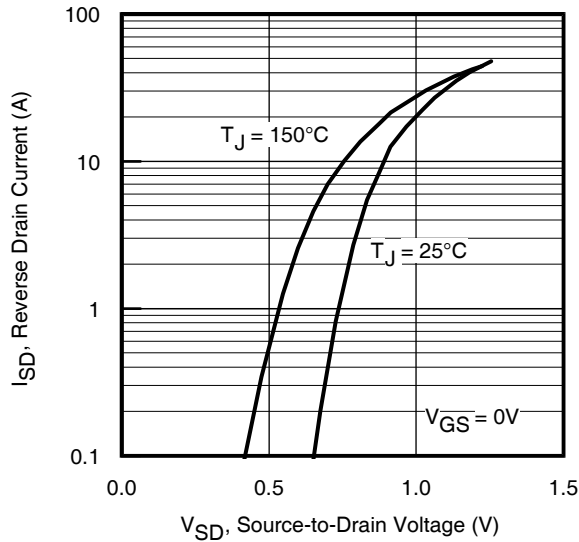


Fig 7. Typical Source-Drain Diode Forward Voltage

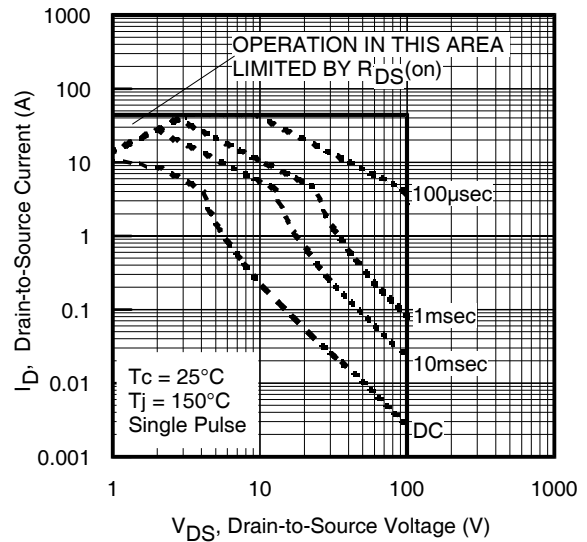


Fig 8. Maximum Safe Operating Area

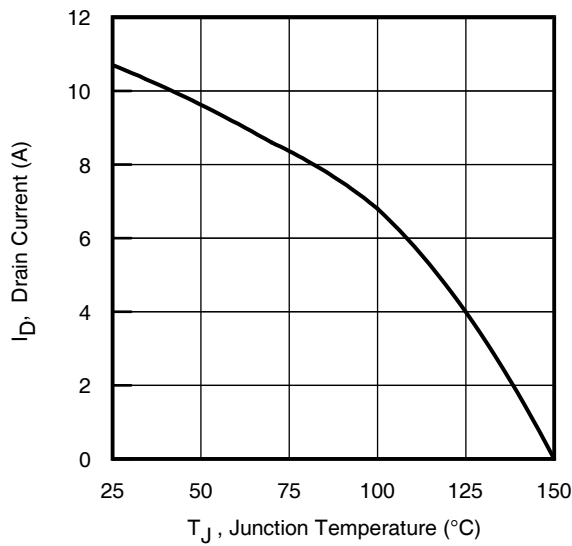


Fig 9. Maximum Drain Current vs. Junction Temperature

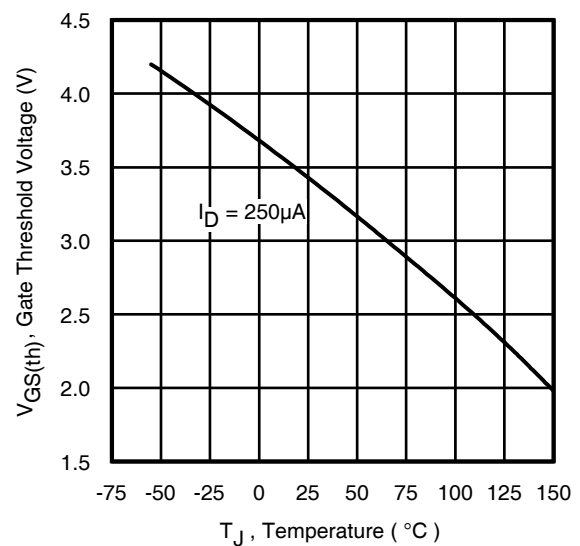


Fig 10. Threshold Voltage vs. Temperature

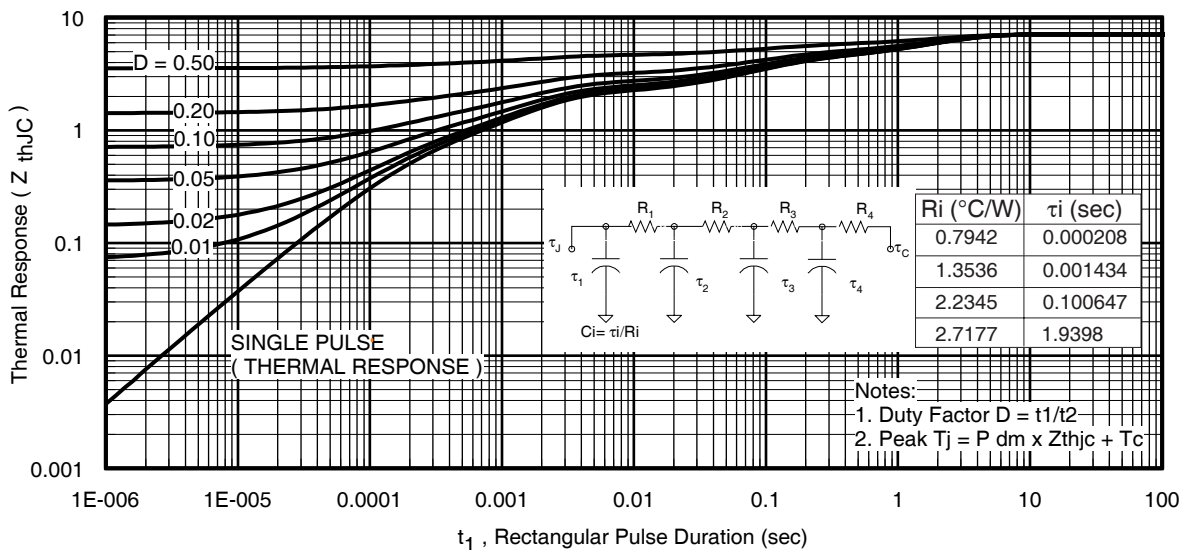


Fig 11. Maximum Effective Transient Thermal Impedance, Junction-to-Case

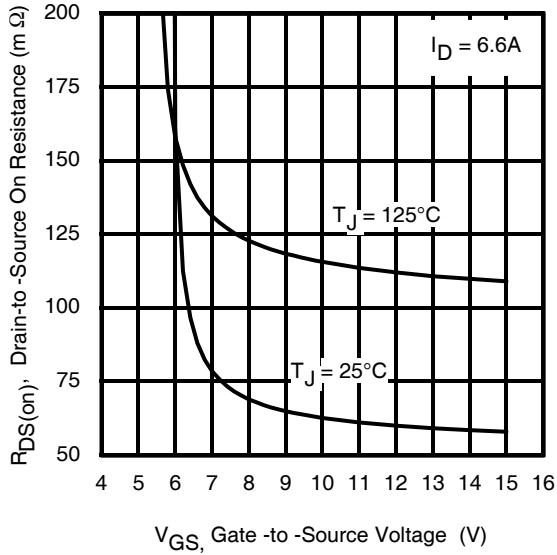


Fig 12. On-Resistance vs. Gate Voltage

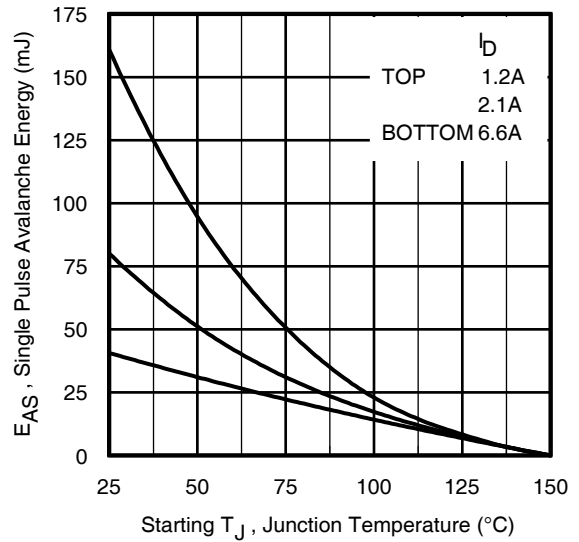


Fig 13a. Maximum Avalanche Energy vs. Drain Current

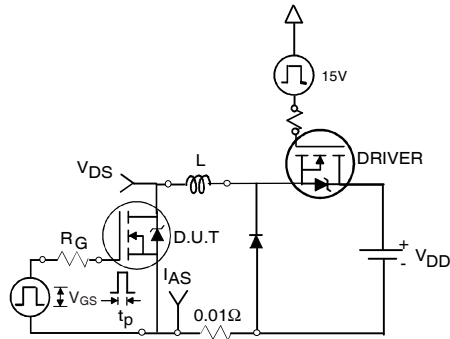


Fig 13b. Unclamped Inductive Test Circuit

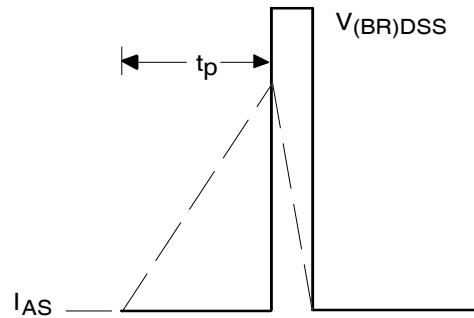


Fig 13c. Unclamped Inductive Waveforms

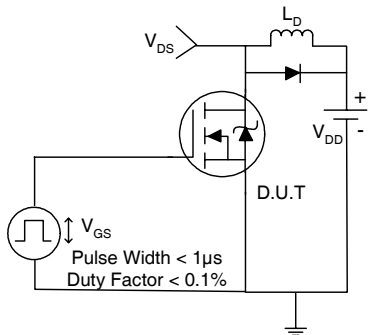


Fig 14a. Switching Time Test Circuit

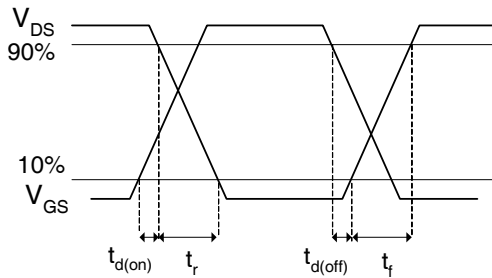


Fig 14b. Switching Time Waveforms

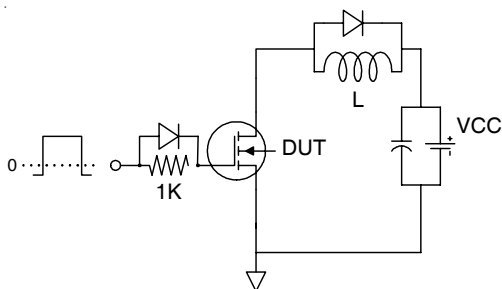


Fig 15a. Gate Charge Test Circuit

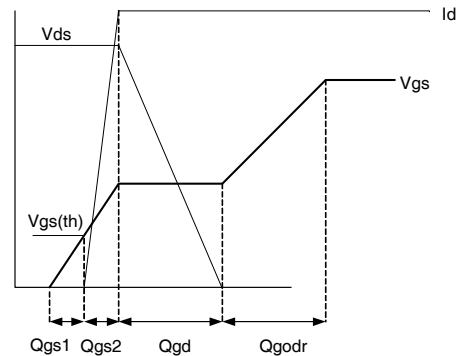
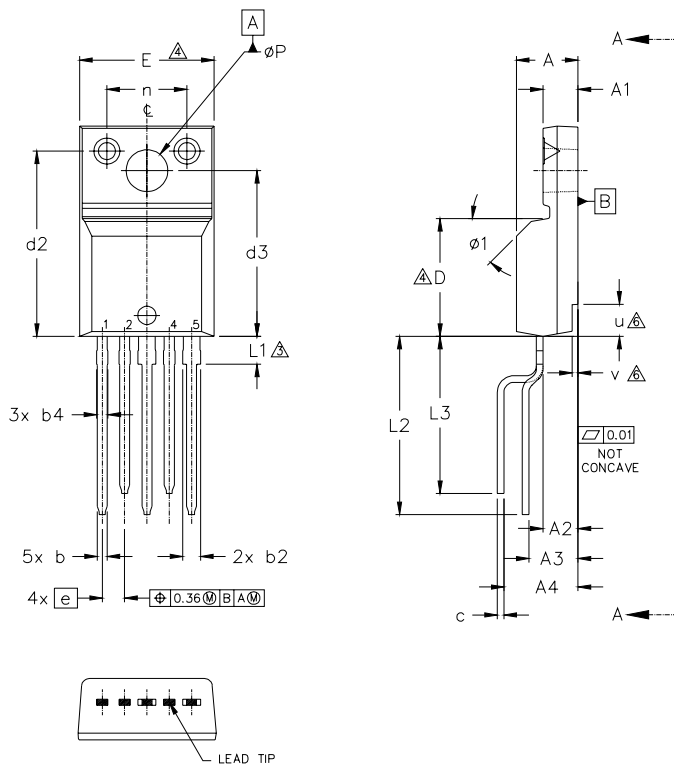


Fig 15b Gate Charge Waveform

IRFI4212H-117P

TO-220 Full-Pak 5-Pin Package Outline, Lead-Form Option 117

(Dimensions are shown in millimeters (inches))



NOTES:

- 1.0 DIMENSIONING AND TOLERANCING AS PER ASME Y14.5 M- 1994.
- 2.0 DIMENSIONS ARE SHOWN IN MILLIMETERS [INCHES].
- 3.0 LEAD DIMENSION AND FINISH UNCONTROLLED IN LT.
- 4.0 DIMENSION D & E DO NOT INCLUDE MOLD FLASH. MOLD FLASH SHALL NOT EXCEED .005" (0.127) PER SIDE. THESE DIMENSIONS ARE MEASURED AT THE OUTER MOST EXTREMES OF THE PLASTIC BODY.
- 5.0 DIMENSION b1, b3, b5 & c1 APPLY TO BASE METAL ONLY.
- 6.0 STEP OPTIONAL ON PLASTIC BODY DEFINED BY DIMENSIONS u & v.
- 7.0 CONTROLLING DIMENSION : INCHES.

| SYMBOL | DIMENSIONS | | | | NOTES |
|--------|-------------|-------|--------|------|-------|
| | MILLIMETERS | | INCHES | | |
| | MIN. | MAX. | MIN. | MAX. | |
| A | 4.57 | 4.83 | .180 | .190 | |
| A1 | 2.57 | 2.83 | .101 | .111 | |
| A2 | 2.51 | 2.85 | .099 | .112 | |
| A3 | 3.73 | 4.24 | .147 | .167 | |
| A4 | 5.79 | 6.29 | .228 | .248 | |
| b | 0.61 | 0.95 | 0.24 | .037 | |
| b1 | 0.56 | 0.90 | .022 | 0.35 | 5 |
| b2 | 1.13 | 1.48 | 0.44 | .058 | |
| b3 | 1.08 | 1.43 | 0.42 | .056 | 5 |
| b4 | 0.76 | 1.06 | .030 | .042 | |
| b5 | 0.71 | 1.01 | .028 | .040 | 5 |
| c | 0.33 | 0.63 | .013 | .025 | |
| c1 | 0.28 | 0.58 | .011 | .023 | 5 |
| D | 8.65 | 9.80 | .341 | .386 | 4 |
| d1 | 15.80 | 16.12 | .622 | .635 | |
| d2 | 13.97 | 14.22 | .550 | .560 | |
| d3 | 12.30 | 12.92 | .484 | .509 | |
| E | 9.63 | 10.63 | .379 | .419 | 4 |

| SYMBOL | DIMENSIONS | | | | NOTES |
|--------|-------------|-------|--------|------|-------|
| | MILLIMETERS | | INCHES | | |
| | MIN. | MAX. | MIN. | MAX. | |
| e | 1.70 | BSC | .067 | BSC | |
| L | 13.20 | 13.73 | .520 | .541 | |
| L1 | 1.91 | 2.31 | .075 | .091 | 3 |
| L2 | 12.7 | 13.46 | .500 | .530 | |
| L3 | 10.92 | 11.68 | .430 | .460 | |
| n | 6.05 | 6.15 | .238 | .242 | |
| øP | 3.05 | 3.45 | .120 | .136 | |
| u | 2.40 | 2.50 | .094 | .098 | 6 |
| v | 0.40 | 0.50 | .016 | .020 | 6 |
| ø1 | - | .45* | - | .45* | |

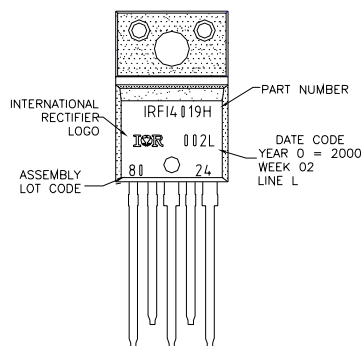
LEAD ASSIGNMENTS

- 1 - SOURCE 2
- 2 - GATE 2
- 3 - DRAIN 2 / SOURCE 1
- 4 - GATE 1
- 5 - DRAIN 1

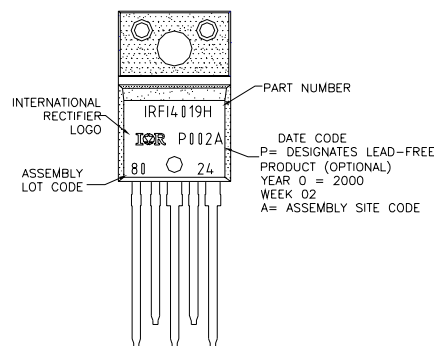
TO-220 Full-Pak 5-Pin Part Marking Information

EXAMPLE: THIS IS AN IRFI4019H WITH
LOT CODE 8024
ASSEMBLED ON WW02,2000
IN THE ASSEMBLY LINE "L"

Note: "P" in assembly line position indicates "Lead Free"



OR



TO-220AB Full-Pak 5-Pin package is not recommended for Surface Mount Application.

Data and specifications subject to change without notice.
This product has been designed for the Consumer market.
Qualification Standards can be found on IR's Web site.

Note: For the most current drawings please refer to the IR website at:
<http://www.irf.com/package/>

Mouser Electronics

Authorized Distributor

Click to View Pricing, Inventory, Delivery & Lifecycle Information:

[International Rectifier:](#)

[IRFI4212H-117P](#)