



Smallest 1A, 1.4MHz Step-Down Regulators

General Description

The MAX1973/MAX1974 are constant-frequency 1.4MHz pulse-width-modulated (PWM) current-mode step-down regulators. The output voltage can be set as low as 0.75V using an external voltage-divider, or it can be set to preset outputs of 1V, 1.5V (MAX1974), 1.8V, or 2.5V (MAX1973) without requiring external resistors. The MAX1973 also includes a voltage-margining feature that offsets the output voltage up or down 4% to facilitate board-level production testing.

A fixed 1.4MHz operating frequency ensures operation outside the DSL frequency band, provides fast transient response, and allows the use of small external components. Only 4.7 μ F input and output ceramic capacitors are needed for 1A applications. Forced PWM operation ensures a constant switching frequency over all load conditions.

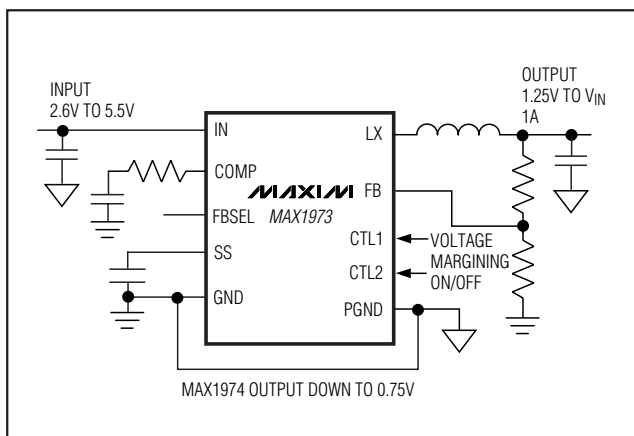
Output voltage accuracy is $\pm 1\%$ over load, line, and temperature operating ranges. The MAX1973 features voltage margining; the MAX1974 provides a POK output to indicate when the output has reached 90% of its nominal regulation voltage. Both devices are available in small 10-pin μ MAX packages.

Applications

Network Equipment
Cellular Base Stations
DSL and Wireless Modems/Routers
Optical Modules
Central-Office DSL and Telecom
DSP/ASIC Core and IO supplies

Selector Guide appears at end of data sheet.

Typical Operating Circuit



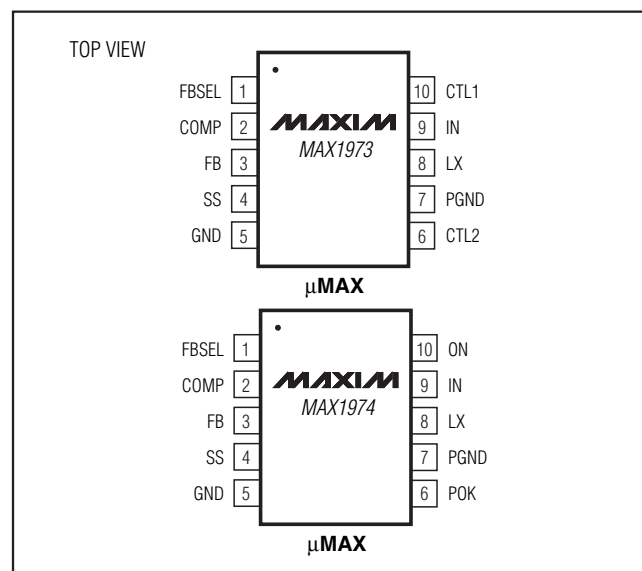
Features

- ◆ Tiny Circuit Footprint of 0.19in²
- ◆ Ultra-Low Circuit Height of 1.8mm
- ◆ 4.7 μ F Ceramic Input and Output Capacitors
- ◆ 2.6V to 5.5V Input Voltage
- ◆ 1A Output Current
- ◆ 1% Accurate
- ◆ Built-In $\pm 4\%$ Logic-Controlled Voltage Margining (MAX1973)
- ◆ Preset 1V, 1.5V, 1.8V, 2.5V, or 0.75V to V_{IN} Adjustable Output
- ◆ Fixed-Frequency PWM Current-Mode Operation
- ◆ 1.4MHz Switching Frequency, Operate Outside DSL Band
- ◆ 100% Duty-Cycle Dropout Capability
- ◆ Small External Components

Ordering Information

| PART | TEMP RANGE | PIN-PACKAGE |
|------------|----------------|--------------|
| MAX1973EUB | -40°C to +85°C | 10 μ MAX |
| MAX1974EUB | -40°C to +85°C | 10 μ MAX |

Pin Configurations



Smallest 1A, 1.4MHz Step-Down Regulators

ABSOLUTE MAXIMUM RATINGS

IN, POK, CTL1, CTL2, FBSEL, ON to GND-0.3V to +6V
 COMP, FB, SS to GND-0.3V to (V_{IN} + 0.3V)
 PGND to GND-0.3V to +0.3V
 LX Current (Note 1)-2.4A to +2.4A

Continuous Power Dissipation (T_A = +70°C)
 10-Pin μMAX (derate 5.6mW/°C above +70°C) 444mW
 Operating Temperature Range-40°C to +85°C
 Storage Temperature Range-65°C to +150°C
 Lead Temperature (soldering, 10s)+300°C

Note 1: LX has internal clamp diodes to IN and PGND. Applications that forward bias these diodes should take care not to exceed the IC package power dissipation limit.

Stresses beyond those listed under "Absolute Maximum Ratings" may cause permanent damage to the device. These are stress ratings only, and functional operation of the device at these or any other conditions beyond those indicated in the operational sections of the specifications is not implied. Exposure to absolute maximum rating conditions for extended periods may affect device reliability.

ELECTRICAL CHARACTERISTICS

(V_{IN} = V_{CTL-} = 3.3V, FB = OUT, T_A = 0°C to +85°C, unless otherwise noted. Typical values are at T_A = +25°C.)

| PARAMETER | CONDITIONS | MIN | TYP | MAX | UNITS | |
|---|--|---------------------|--------|-----------------|--------|---|
| IN | | | | | | |
| IN Voltage Range | | 2.6 | | 5.5 | V | |
| IN Undervoltage Lockout Threshold | Rising and falling, hysteresis is 25mV (typ) | 2.2 | 2.35 | 2.5 | V | |
| Supply Current | Switching with no load | | 4.0 | 7.5 | mA | |
| Supply Current in Dropout | V _{OUT} set for 3.6V | | 3 | 5 | mA | |
| Shutdown Supply Current | V _{IN} = 5.5V | | 0.1 | 10 | μA | |
| FB | | | | | | |
| Output Voltage Range | MAX1973 | 1.25 | | V _{IN} | V | |
| | MAX1974 | 0.75 | | V _{IN} | | |
| FB Regulation Voltage | MAX1973 | FBSEL not connected | 1.2375 | 1.25 | 1.2625 | V |
| | | FBSEL = GND | 1.7820 | 1.8 | 1.8180 | |
| | | FBSEL = IN | 2.4750 | 2.5 | 2.5250 | |
| | MAX1974 | FBSEL not connected | 0.7425 | 0.75 | 0.7575 | |
| | | FBSEL = GND | 0.99 | 1.00 | 1.01 | |
| | | FBSEL = IN | 1.485 | 1.500 | 1.515 | |
| FB Regulation Voltage Positive Voltage Margining | MAX1973, CTL1 = GND, CTL2 = IN | +3 | +4 | +5 | % | |
| FB Regulation Voltage Negative Voltage Margining | MAX1973, CTL1 = IN, CTL2 = GND | -3 | -4 | -5 | % | |
| FB Input Resistance to GND in Preset Output Modes | | 10 | 30 | 70 | kΩ | |
| FB Input Bias Current | FBSEL not connected | -0.1 | 0.01 | +0.1 | μA | |
| SS (REFERENCE OUTPUT) | | | | | | |
| SS Voltage | MAX1974 | | 0.75 | | V | |
| | MAX1973 | | 1.25 | | | |

Smallest 1A, 1.4MHz Step-Down Regulators

MAX1973/MAX1974

ELECTRICAL CHARACTERISTICS (continued)

($V_{IN} = V_{CTL_} = 3.3V$, FB = OUT, $T_A = 0^{\circ}C$ to $+85^{\circ}C$, unless otherwise noted. Typical values are at $T_A = +25^{\circ}C$.)

| PARAMETER | CONDITIONS | MIN | TYP | MAX | UNITS | |
|---|--|---------|-------|----------------|----------|---|
| SS Source Current | | -25 | -20 | -15 | μA | |
| SS Sink Current | | 10 | 20 | 35 | μA | |
| SS to GND Resistance in Shutdown | | 5 | 40 | 100 | Ω | |
| FBSEL | | | | | | |
| Low Input Threshold | | 0.3 | | | V | |
| High Input Threshold | | | | $V_{IN} - 0.3$ | V | |
| Input Bias Current | FBSEL = GND or IN, $V_{IN} = 5.5V$ | -20 | 10 | +20 | μA | |
| COMP | | | | | | |
| Transconductance from FB to COMP | | 40 | 60 | 80 | μS | |
| COMP to GND Resistance in Shutdown | | 5 | 40 | 100 | Ω | |
| Clamp Voltage Low | | 0.6 | 0.9 | 1.2 | V | |
| Clamp Voltage High | | 1.35 | 1.75 | 2.15 | V | |
| LX | | | | | | |
| On-Resistance High | $V_{IN} = 3.3V$ | | 0.23 | 0.46 | Ω | |
| On-Resistance Low | $V_{IN} = 3.3V$ | | 0.16 | 0.32 | Ω | |
| Current-Sense Transresistance | | 0.275 | 0.335 | 0.425 | V/A | |
| Positive Current-Limit Threshold | | 1.1 | 1.6 | 1.75 | A | |
| Negative Current-Limit Threshold | | -1.2 | -0.8 | -0.4 | A | |
| LX Shutdown Leakage Current | $V_{LX} = V_{IN} = 5.5V$ | | | 20 | μA | |
| | LX = GND, $V_{IN} = 5.5V$ | -20 | | | | |
| Switching Frequency | | 1.2 | 1.4 | 1.6 | MHz | |
| CTL1, CTL2 (MAX1973), ON (MAX1974) | | | | | | |
| Logic-Low Input Threshold | | 0.6 | | | V | |
| Logic-High Input Threshold | | | | 1.6 | V | |
| Logic Input Current | | -1 | | +1 | μA | |
| POK (MAX1974 only) | | | | | | |
| Output Low Voltage | POK sinking 1mA | | 10 | 100 | mV | |
| Output Valid Threshold for POK | Percentage of nominal regulation voltage | Rising | 90 | 92.5 | 95 | % |
| | | Falling | 88 | 90 | 92 | |

Smallest 1A, 1.4MHz Step-Down Regulators

ELECTRICAL CHARACTERISTICS (continued)

($V_{IN} = V_{CTL_} = 3.3V$, FB = OUT, $T_A = 0^{\circ}C$ to $+85^{\circ}C$, unless otherwise noted. Typical values are at $T_A = +25^{\circ}C$.)

| PARAMETER | CONDITIONS | MIN | TYP | MAX | UNITS |
|-----------------------------|------------|-----|------|-----|-------------|
| THERMAL SHUTDOWN | | | | | |
| Thermal-Shutdown Threshold | | | +170 | | $^{\circ}C$ |
| Thermal-Shutdown Hysteresis | | | 20 | | $^{\circ}C$ |

ELECTRICAL CHARACTERISTICS

($V_{IN} = V_{FB} = V_{CTL_} = 3.3V$, $T_A = -40^{\circ}C$ to $+85^{\circ}C$, unless otherwise noted.) (Note 2)

| PARAMETER | CONDITIONS | MIN | TYP | MAX | UNITS |
|---|--|---------------------|--------|----------|-----------|
| IN | | | | | |
| IN Voltage Range | | 2.6 | | 5.5 | V |
| IN Undervoltage Lockout Threshold | Rising and falling, hysteresis is 25mV (typ) | 2.2 | | 2.5 | V |
| Supply Current | Switching with no load | | | 7.5 | mA |
| Supply Current in Dropout | V_{OUT} set for 3.6V | | | 5 | mA |
| Shutdown Supply Current | $V_{IN} = 5.5V$ | | | 10 | μA |
| FB | | | | | |
| Output Voltage Range | MAX1973 | 1.25 | | V_{IN} | V |
| | MAX1974 | 0.75 | | V_{IN} | |
| FB Regulation Voltage | MAX1973 | FBSEL not connected | 1.2375 | 1.2625 | V |
| | | FBSEL = GND | 1.7820 | 1.8180 | |
| | | FBSEL = IN | 2.4750 | 2.5250 | |
| | MAX1974 | FBSEL not connected | 0.7425 | 0.7575 | |
| | | FBSEL = GND | 0.99 | 1.01 | |
| | | FBSEL = IN | 1.485 | 1.515 | |
| FB Regulation Voltage Positive Voltage Margining | MAX1973, CTL1 = GND, CTL2 = IN | 3 | | 5 | % |
| FB Regulation Voltage Negative Voltage Margining | MAX1973, CTL1 = IN, CTL2 = GND | -3 | | -5 | % |
| FB Input Resistance to GND in Preset Output Modes | | 10 | | 70 | $k\Omega$ |
| FB Input Bias Current | FBSEL not connected | -0.15 | | +0.15 | μA |
| SS (REFERENCE OUTPUT) | | | | | |
| SS Source Current | | -25 | | -15 | μA |
| SS Sink Current | | 10 | | 35 | μA |

Smallest 1A, 1.4MHz Step-Down Regulators

MAX1973/MAX1974

ELECTRICAL CHARACTERISTICS

($V_{IN} = V_{CTL_} = 3.3V$, FB = OUT, $T_A = -40^{\circ}C$ to $+85^{\circ}C$, unless otherwise noted.) (Note 2)

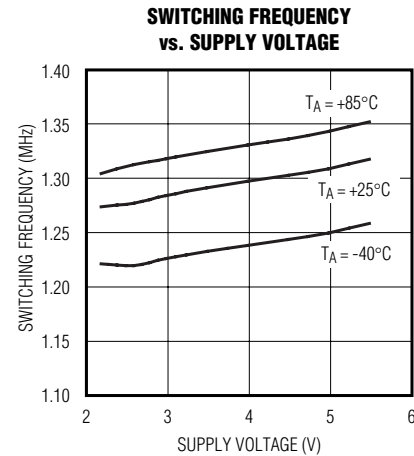
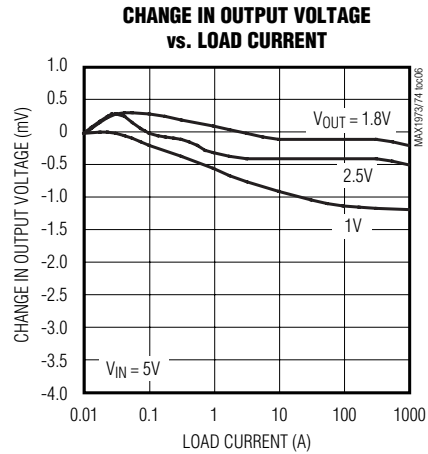
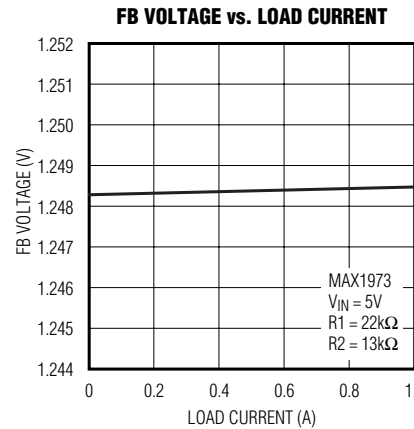
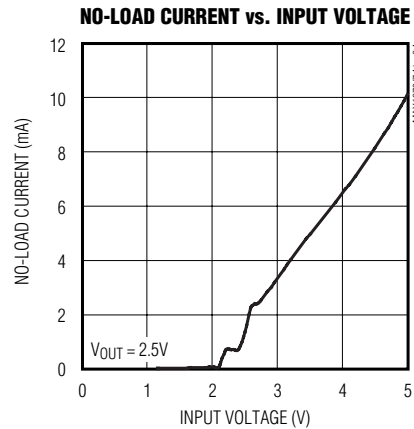
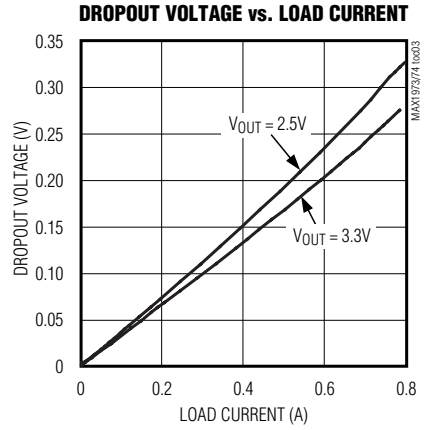
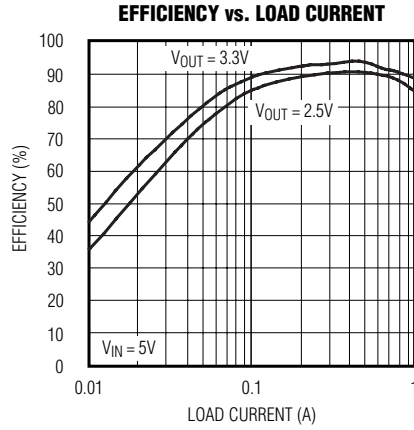
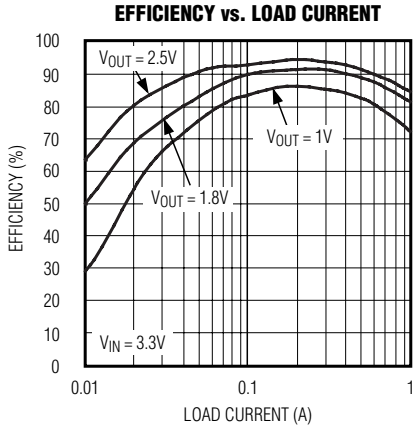
| PARAMETER | CONDITIONS | MIN | TYP | MAX | UNITS |
|---|--|---------|-----|----------------|----------|
| SS to GND Resistance in Shutdown | | 5 | 40 | 100 | Ω |
| FBSEL | | | | | |
| Low Input Threshold | | 0.3 | | | V |
| High Input Threshold | | | | $V_{IN} - 0.4$ | V |
| Input Bias Current | FBSEL = GND or IN, $V_{IN} = 5.5V$ | -20 | | +20 | μA |
| COMP | | | | | |
| Transconductance from FB to COMP | | 40 | | 80 | μS |
| COMP to GND Resistance in Shutdown | | 5 | | 100 | Ω |
| Clamp Voltage Low | | 0.6 | | 1.2 | V |
| Clamp Voltage High | | 1.3 | | 2.2 | V |
| LX | | | | | |
| On-Resistance High | $V_{IN} = 3.3V$ | | | 0.46 | Ω |
| On-Resistance Low | $V_{IN} = 3.3V$ | | | 0.32 | Ω |
| Current-Sense Transresistance | | 0.275 | | 0.425 | V/A |
| Positive Current-Limit Threshold | | 1.10 | | 1.85 | A |
| Negative Current-Limit Threshold | | -1.20 | | -0.35 | A |
| LX Shutdown Leakage Current | $V_{LX} = V_{IN} = 5.5V$ | | | 20 | μA |
| | LX = GND, $V_{IN} = 5.5V$ | -20 | | | |
| Switching Frequency | | 1.2 | | 1.6 | MHz |
| CTL1, CTL2 (MAX1973), ON (MAX1974) | | | | | |
| Logic-Low Input Threshold | | 0.6 | | | V |
| Logic-High Input Threshold | | | | 1.6 | V |
| Logic Input Current | | -1 | | 1 | μA |
| POK (MAX1974 only) | | | | | |
| Output Low Voltage | POK sinking 1mA | | | 100 | mV |
| Output Valid Threshold for POK | Percentage of nominal regulation voltage | Rising | | 90 | % |
| | | Falling | | 88 | |

Note 2: Specifications to $-40^{\circ}C$ are guaranteed by design and not production tested.

Smallest 1A, 1.4MHz Step-Down Regulators

Typical Operating Characteristics

(Circuits of Figure 2, 3, and 4; $T_A = +25^\circ\text{C}$, unless otherwise noted.)

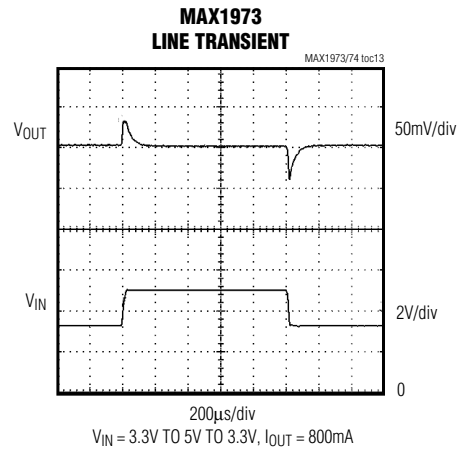
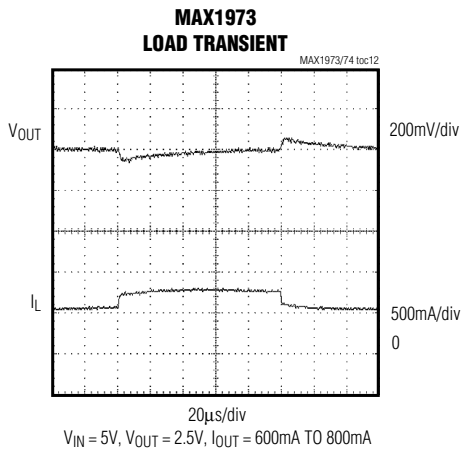
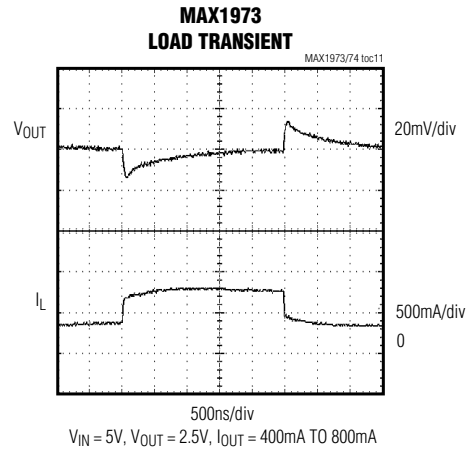
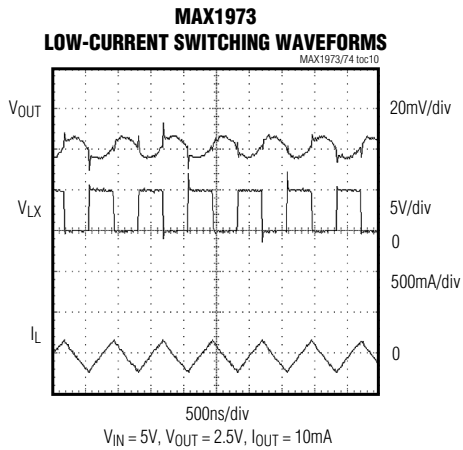
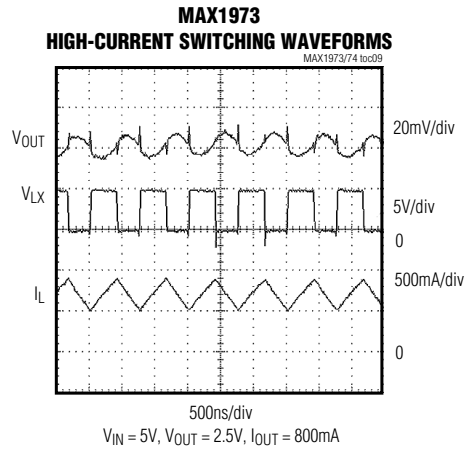
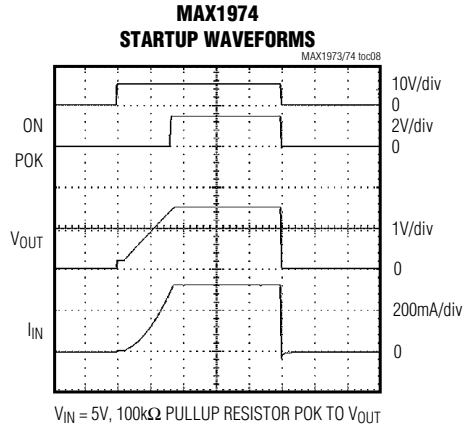


Smallest 1A, 1.4MHz Step-Down Regulators

Typical Operating Characteristics (continued)

(Circuits of Figure 2, 3, and 4; $T_A = +25^\circ\text{C}$, unless otherwise noted.)

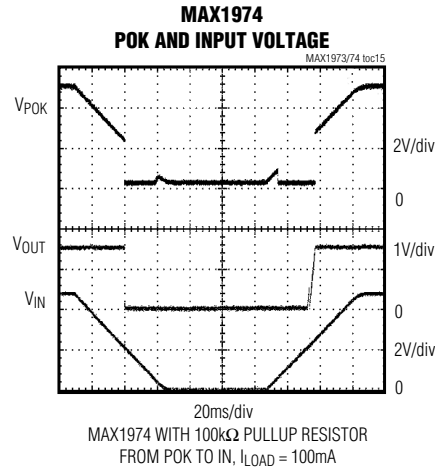
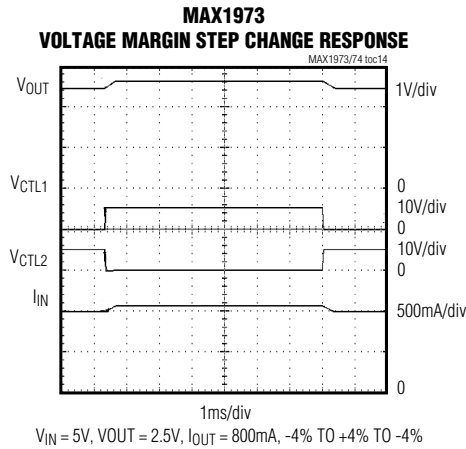
MAX1973/MAX1974



Smallest 1A, 1.4MHz Step-Down Regulators

Typical Operating Characteristics (continued)

(Circuits of Figure 2, 3, and 4; $T_A = +25^\circ\text{C}$, unless otherwise noted.)



Pin Description

| PIN | NAME | | FUNCTION |
|-----|---------|---------|--|
| | MAX1973 | MAX1974 | |
| 1 | FBSEL | FBSEL | Feedback-Mode Selector. Connect FBSEL to GND to set the output voltage to 1.8V (MAX1973) or 1V (MAX1974). Connect FBSEL to IN to set the output voltage to 2.5V (MAX1973) or 1.5V (MAX1974). Leave FBSEL unconnected to set the output voltage using a resistor-divider at FB. |
| 2 | COMP | COMP | Compensation. Connect a series RC network to GND. COMP is internally pulled to GND when the device is in shutdown or in undervoltage lockout (see the <i>Compensation Components</i> section). |
| 3 | FB | FB | Feedback Input. Connect to the output if a preset voltage is used, or to a resistor-divider from the output to GND for an adjustable output voltage. |
| 4 | SS | SS | Soft-Start Pin and Reference Output. Bypass to GND with at least 0.01μF. Connect 0.1μF to GND for a soft-start ramp time of 6.25ms for the MAX1973, or 3.75ms for the MAX1974. SS is internally pulled to GND when the device is shut down or in undervoltage lockout. |
| 5 | GND | GND | Ground |
| 6 | CTL2 | — | Control Input 2. Controls enable/disable and voltage margining (see Table 1). |
| | — | POK | Power-OK Output. Open-drain output goes low when output is below 90% of nominal output. POK is also low when the device is shut down or in undervoltage lockout. |
| 7 | PGND | PGND | Power Ground |
| 8 | LX | LX | Inductor Connection. Connect an inductor from LX to the output. |
| 9 | IN | IN | Input Supply Voltage. Input voltage range is 2.6V to 5.5V. Connect a 4.7μF capacitor from IN to PGND. |
| 10 | CTL1 | — | Control Input 1. Controls Enable/Disable and voltage margining (see Table 1). |
| | — | ON | Enable Input. Connect to IN or drive high for normal operation. Drive low to put device in shutdown. |

Smallest 1A, 1.4MHz Step-Down Regulators

Detailed Description

The MAX1973/MAX1974 are 1.4MHz fixed-frequency PWM current-mode step-down DC/DC converters. A high 1.4MHz switching frequency allows use of small inductors and small capacitors for filtering and decoupling. An internal synchronous rectifier improves efficiency and eliminates the need for an external Schottky freewheeling diode. On-chip current sensing uses the on-resistance of the internal MOSFETs, eliminating current-sensing resistors and improving efficiency.

The input voltage range is 2.6V to 5.5V. The output voltage is selectable to one of two presets, or adjustable by using a resistor-divider. The output voltage of the MAX1973 is preset to 1.8V or 2.5V by connecting FBSEL to GND or IN, respectively. The MAX1974 is preset to 1.0V or 1.5V by connecting FBSEL to GND or IN, respectively. In adjustable mode (see the *Output Voltage Selection* section), the output voltage is programmable down to 0.75V on the MAX1974, and down to 1.25V on the MAX1973.

PWM Control Scheme

The MAX1973/MAX1974 use a fixed-frequency PWM current-mode control scheme. The heart of the PWM current-mode controller is an open-loop comparator that compares the integrated voltage feedback signal against the sum of the amplified current-sense signal and the slope compensation ramp (see Figure 1). At each rising edge of the internal clock, the internal high-side MOSFET turns on until the PWM comparator trips. During this on-time, current ramps up through the inductor, sourcing current to the output and storing energy in a magnetic field.

The current-mode feedback system regulates the peak inductor current as a function of the output voltage error signal. Because the average inductor current is nearly the same as the peak inductor current (assuming that the inductor value is relatively high to minimize ripple current), the circuit acts as a switch-mode transconductance amplifier. It pushes the output LC filter pole, normally found in a voltage-mode PWM, to a higher frequency. To preserve inner loop stability and eliminate inductor staircasing, an internal slope-compensation ramp is summed into the main PWM comparator.

During the second half of the switching cycle (off-time), the internal high-side MOSFET turns off and the internal low-side N-channel MOSFET turns on. The inductor releases the stored energy as its current ramps down while still providing current to the output. The output capacitor stores charge when the inductor current exceeds the load current and discharges when the inductor current is lower, smoothing the voltage across

the load. Under overload conditions, when the inductor current exceeds the current limit, the high-side MOSFET is not turned on at the rising edge of the clock, and the low-side MOSFET remains on to let the inductor current ramp down.

100% Duty-Cycle Operation

The MAX1973/MAX1974 can operate at 100% duty cycle. In this state, the high-side P-channel MOSFET is turned on (not switching). The dropout voltage in 100% duty-cycle operation is the output current multiplied by the sum of the on-resistance of the P-channel MOSFET ($R_{DS(ON)P}$) and the inductor resistance (R_L).

$$V_{DROPOUT} = I_{OUT} \times (R_{DS(ON)P} + R_L)$$

Current Sense and Current Limit

The current-sense circuit amplifies the current-sense voltage generated by the high-side MOSFET's on-resistance and the inductor current ($R_{DS(ON)} \times I_{INDUCTOR}$). This amplified current-sense signal and the internal slope compensation signal are summed together at the PWM comparator's inverting input. The PWM comparator turns off the internal high-side MOSFET when this sum exceeds the integrated feedback voltage.

The internal high-side MOSFET has a current limit of 1.6A (typ). If the current flowing out of LX exceeds this maximum, the high-side MOSFET turns off and the synchronous rectifier MOSFET turns on. This lowers the duty cycle and causes the output voltage to droop until the current limit is no longer exceeded. There is also a synchronous rectifier current limit of -0.85A, to protect the device from current flowing into LX. If this negative current limit is exceeded, the synchronous rectifier turns off, and the inductor current continues to flow through the high-side MOSFET body diode back to the input until the beginning of the next cycle, or until the inductor current drops to zero.

Soft-Start

To reduce the supply inrush current, soft-start circuitry ramps up the output voltage during startup by charging the SS capacitor with a 20 μ A current source. When SS reaches its nominal value, the output is in full regulation. The soft-start time (t_{SS}) is determined from:

$$t_{SS} = \frac{V_{SS}}{I_{SS}} \times C_{SS}$$

where V_{SS} is the soft-start (reference) voltage (1.25V for the MAX1973; 0.75V for the MAX1974), I_{SS} is 20 μ A, and C_{SS} is the value of the capacitor connected to SS.

Soft-start occurs when power is first applied and when the device exits shutdown. The part also goes through

Smallest 1A, 1.4MHz Step-Down Regulators

MAX1973/MAX1974

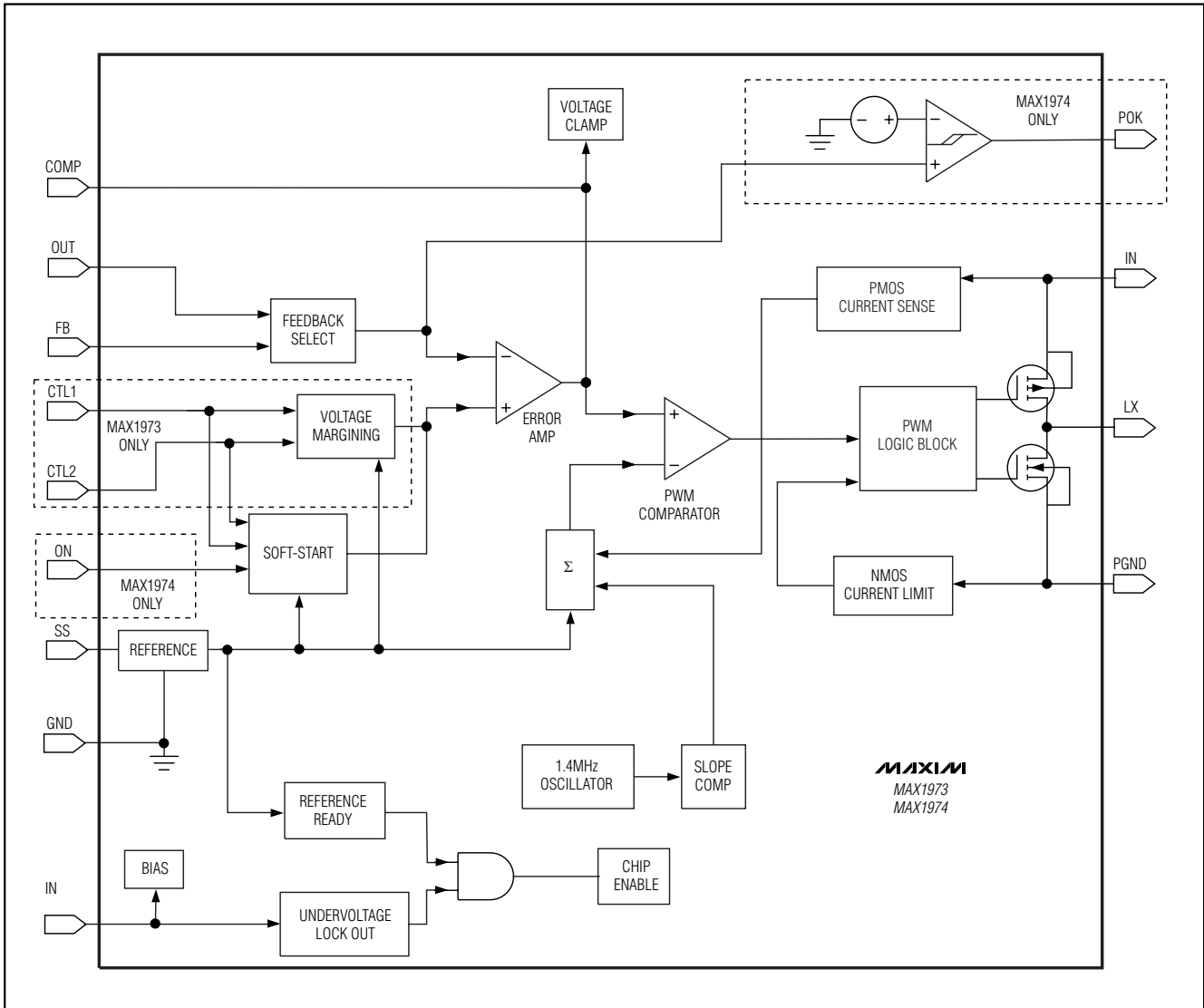


Figure 1. Functional Diagram

soft-start when coming out of undervoltage lockout (UVLO) or thermal-overload protection.

Undervoltage Lockout (UVLO)

If V_{IN} drops below 2.35V (typ), the MAX1973/MAX1974 assume that the supply voltage is too low to provide a valid output voltage, and the UVLO circuit inhibits switching. Once V_{IN} rises above 2.4V, UVLO is disabled and the soft-start sequence begins.

Thermal-Overload Protection

Thermal-overload protection limits total power dissipation and protects the IC from damage in case of an overload or short-circuit condition. When the IC junction temperature (T_J) exceeds +170°C, the device shuts down. The part turns on again after the junction temperature cools by 20°C. This results in a pulsed output during continuous thermal-overload conditions.

Smallest 1A, 1.4MHz Step-Down Regulators

Voltage Margining and Shutdown

A voltage-margining feature is provided on the MAX1973 to shift the output voltage up or down by 4%. Voltage margining is useful for the automatic testing of systems at high and low supply conditions to find potential failures. See Table 1 for the MAX1973 voltage margining and shutdown truth table.

A shutdown feature is included on both the MAX1973 and the MAX1974. Shutdown turns off the IC and reduces the supply current about 0.1μA. For the MAX1974, drive ON high for normal operation, or low for shutdown. For the MAX1973, drive both CTL1 and CTL2 high for normal operation, or drive both low for shutdown. For a simple enable/shutdown function with no voltage margining on the MAX1973, connect CTL1 to CTL2 and drive as one input.

Power-OK Output (POK)

A power-OK output (POK) is provided on the MAX1974. This is an open-drain output indicating when the output voltage is in regulation. If the output voltage falls below 90% of its nominal value, POK goes low. POK remains low until the output voltage rises to 92.5% of its nominal value. At that point, POK goes high impedance. To use POK as a logic output, connect a 10kΩ to 100kΩ pullup resistor from POK to the power supply of the logic receiving the POK signal. POK continues to function in shutdown or UVLO. Note that a minimum voltage of 1V at IN is required to ensure that POK provides a valid output. When V_{IN} drops to zero, POK is high impedance. See the *Typical Operating Characteristics*.

Applications Information

Output Voltage Selection

The output voltage can be set to one of two preset values, or can be set by an external resistor-divider. For preset output voltages, connect FB to the output as shown in Figures 2 and 3. Connect FBSEL to GND or IN to select the desired preset output voltage (see Table 2).

To set the output voltage to a value other than the preset values, FBSEL is not connected, and FB is connected to a voltage-divider as shown in Figures 4 and 5. Select a value for R2 in the 1kΩ to 22kΩ range, and then calculate the value of R1 from the following equation:

$$R1 = R2 \times \left(\frac{V_{OUT}}{V_{FB}} - 1 \right)$$

Table 1. CTL_ Input Functions (MAX1973)

| CTL1 | CTL2 | FUNCTION |
|------|------|---|
| GND | GND | Shutdown |
| GND | IN | Positive voltage margining, regulation voltage increased 4% from normal operation |
| IN | GND | Negative voltage margining, regulation voltage lowered 4% from normal operation |
| IN | IN | Normal operation |

Table 2. Preset Output Voltages

| FBSEL | OUTPUT VOLTAGE | |
|---------------|--------------------------|--------------------------|
| | MAX1973 | MAX1974 |
| GND | 1.8V | 1V |
| IN | 2.5V | 1.5V |
| Not Connected | Adjustable down to 1.25V | Adjustable down to 0.75V |

For the MAX1973, V_{FB} = 1.25V, allowing its output to be set down to 1.25V. For the MAX1974, V_{FB} = 0.75V, allowing its output to be set down to 0.75V.

The MAX1973/MAX1974 PWM circuitry is capable of a stable minimum duty cycle of 17%. This limits the minimum output voltage that can be generated to 0.17 × V_{IN}. Instability may result for V_{IN}/V_{OUT} ratios below 0.17.

Inductor Selection

A 2.2μH to 4.7μH inductor with a saturation current of at least 1.25A is recommended for full-load (1mA) applications. For lower load currents, the inductor current rating can be reduced. For most applications, use an inductor with a current rating 1.25 times the maximum required output current. For best efficiency, the inductor's DC resistance should be as small as possible. See Table 3 for recommended inductors and manufacturers.

For most designs, the inductor value (L_{INIT}) can be derived from the following equation:

$$L_{INIT} = \frac{V_{OUT}(V_{IN} - V_{OUT})}{V_{IN} \times LIR \times I_{OUT(MAX)} \times f_{SW}}$$

Smallest 1A, 1.4MHz Step-Down Regulators

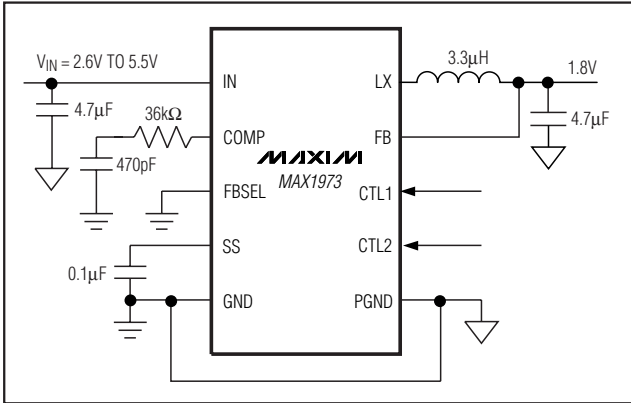


Figure 2. MAX1973 with 1.8V Preset Output

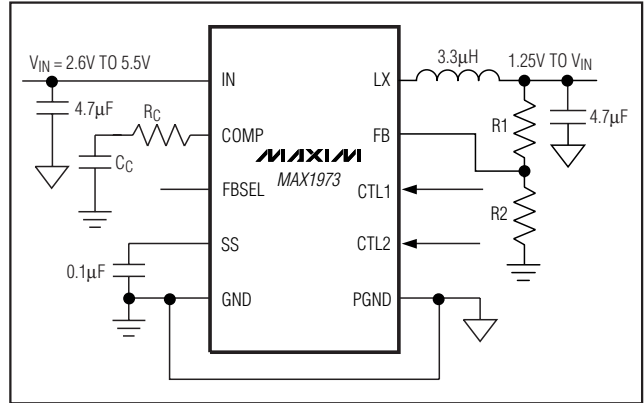


Figure 4. MAX1973 with Adjustable Output Voltage Set by R1 and R2

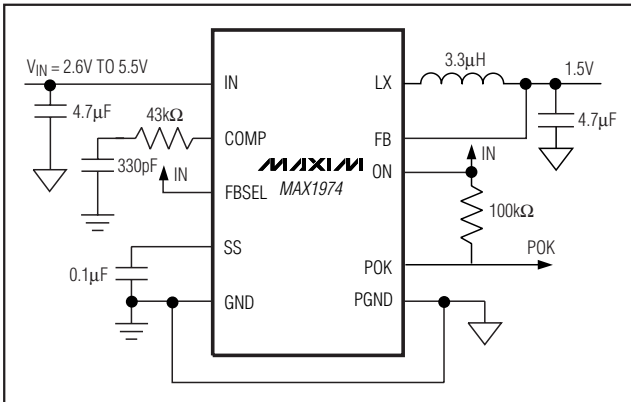


Figure 3. MAX1974 with Preset 1.5V Output

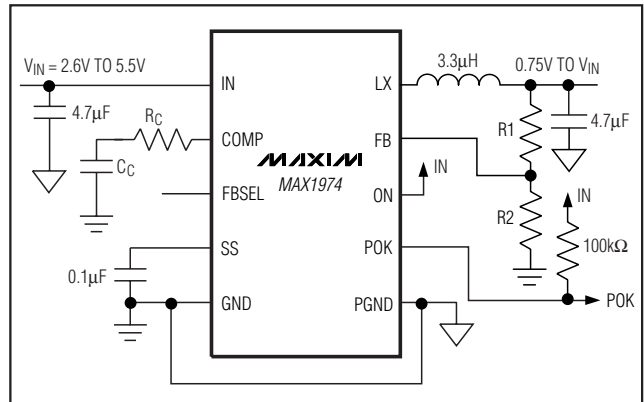


Figure 5. MAX1974 with Adjustable Output Voltage Set by R1 and R2

where f_{sw} is the switching frequency (1.4×10^6 Hz), and LIR is the inductor ripple current as a percentage of the maximum load current. Keep LIR between 20% and 40% for best compromise of cost, size, and performance. The peak inductor current is approximately:

$$I_{L(PEAK)} = \left[1 + \frac{LIR}{2} \right] \times I_{OUT(MAX)}$$

Input Capacitor

A 4.7µF ceramic input capacitor is recommended for most applications because of its low equivalent series resistance (ESR), equivalent series inductance (ESL), and cost. To ensure stability over a wide temperature range, an X5R or X7R dielectric is recommended.

The input capacitor reduces peak currents drawn from the power source and reduces noise and voltage ripple on the input caused by the circuit's switching. The input

capacitor must meet the ripple current requirement (I_{RMS}) imposed by the switching currents defined by the following equation:

$$I_{RMS} = \frac{I_{OUT}}{V_{IN}} \sqrt{V_{OUT}(V_{IN} - V_{OUT})}$$

Choose a capacitor that exhibits less than 10°C temperature rise at the maximum operating RMS current for optimum long-term reliability.

Output Capacitor

A 4.7µF ceramic output capacitor is recommended for most applications because of its low ESR, ESL, and lower cost. To ensure stability over a wide temperature range, an X5R or X7R dielectric is recommended.

Key selection parameters for a ceramic output capacitor are capacitance, ESR, and voltage rating. These affect the overall stability, output ripple voltage, and transient

Smallest 1A, 1.4MHz Step-Down Regulators

Table 3. Recommended Inductors

| MANUFACTURER | PART | INDUCTANCE (μH) | ESR (mΩ) | SATURATION CURRENT (A) | DIMENSIONS L × W × H (mm) |
|--------------|-------------|-----------------|----------|------------------------|---------------------------|
| Coilcraft | LPO1704-32M | 3.3 | 160 | 1.3 | 5.5 × 6.6 × 1 |
| Sumida | CDRD3D16-R3 | 3.3 | 85 | 1.1 | 4 × 4 × 1.8 |
| Toko | A682AY-3R3M | 3.3 | 134 | 0.97 | 4.4 × 4.4 × 3.1 |

response of the DC-DC converter. With ceramic capacitors, the voltage ripple from ESL is negligible.

Output ripple is generated by variations in the charge stored in the output capacitance, and the voltage drop across the capacitor ESR.

$$V_{\text{RIPPLE}} = V_{\text{RIPPLE}(C)} + V_{\text{RIPPLE}(ESR)}$$

The output voltage ripple due to the output capacitance is:

$$V_{\text{RIPPLE}(C)} = \frac{I_{P-P}}{8 \times C_{\text{OUT}} \times f_{\text{SW}}}$$

The output voltage ripple due to capacitor ESR is:

$$V_{\text{RIPPLE}(ESR)} = I_{P-P} \times \text{ESR}$$

I_{P-P} is the peak-to-peak inductor current:

$$I_{P-P} = \frac{V_{\text{IN}} - V_{\text{OUT}}}{f_{\text{SW}} \times L} \times \frac{V_{\text{OUT}}}{V_{\text{IN}}}$$

These equations are suitable for initial capacitor selection, but final values should be set by testing a prototype or evaluation circuit. As a rule, a smaller ripple current results in less output voltage ripple. Because the inductor ripple current is inversely proportional to inductor value, output voltage ripple decreases with larger inductance.

Load transient response depends on the selected output capacitor. During a load transient, the output voltage instantly changes by $\text{ESR} \times \Delta I_{\text{LOAD}}$. Before the controller can respond, the output deviates further, depending on the inductor and output capacitor values. After a short time (see the *Typical Operating Characteristics*), the controller responds by regulating the output voltage back to its nominal state. The controller response time depends on the closed-loop bandwidth. With a higher bandwidth the response time is faster. However, to maintain stable operation, the bandwidth should not be set above $f_{\text{SW}}/10$.

Compensation Components

An internal transconductance error amplifier compensates the control loop. Connect a series resistor and

capacitor between COMP and GND to form a pole-zero pair. The external inductor, output capacitor, compensation resistor, and compensation capacitor determine the loop bandwidth and stability. The inductor and output capacitor are chosen based on performance, size, and cost. Additionally, the compensation resistor and capacitor are selected to optimize the control loop. Table 4 and Table 5 list typical component values. The rest of this section is a more detailed discussion on calculating compensation components.

The controller uses a current-mode control scheme that regulates the output voltage by forcing the required current through the external inductor. The voltage across the internal high-side MOSFET's on-resistance is used to sense inductor current. Current-mode control eliminates the double pole caused by the inductor and output capacitor found in other control schemes. Simple Type 1 compensation with a single resistor (R_C) and capacitor (C_C) is all that is needed to provide a stable and high-bandwidth loop.

Use the formula below to calculate the value of C_C , then use the nearest standard value:

$$C_C = \frac{V_{\text{FB}}}{0.5 \times I_{\text{OUT(MAX)}}} \times \frac{1}{R_{\text{CS}}} \times g_m \times \frac{1}{2\pi \times f_c}$$

where V_{FB} is 1.25V for the MAX1973 and 0.75V for the MAX1974, the current-sense transresistance (R_{CS}) is 0.26Ω (typ), and the transconductance from FB to COMP (g_m) is 50μS (typ). For best stability and response performance, the closed-loop unity-gain frequency (f_c) should be approximately 140kHz (one-tenth the switching frequency).

Use the following equation to calculate R_C :

$$R_C = \frac{C_{\text{OUT}}}{C_C} \times \frac{V_{\text{OUT}}}{0.5 \times I_{\text{OUT(MAX)}}$$

Below is a numerical example of calculating compensation values for a circuit using the MAX1973 with 2.5V output and maximum output current of 1A:

MAX1973

Smallest 1A, 1.4MHz Step-Down Regulators

$V_{OUT} = 2.5V$
 $I_{OUT(MAX)} = 1A$
 $C_{OUT} = 4.7\mu F$

$V_{FB} = 1.25V$
 $R_{CS} = 0.26\Omega$
 $g_m = 50\mu S$
 $f_C = 140kHz$

$$C_C = \frac{V_{FB}}{0.5 \times I_{OUT(MAX)}} \times \frac{1}{R_{CS}} \times g_m \times \frac{1}{2\pi \times f_C}$$

$$= \frac{1.25}{0.5 \times 1} \times \frac{1}{0.26} \times 50 \times 10^{-6} \times \frac{1}{2\pi \times 140000} = 547pF$$

Select the nearest standard value: $C_C = 560pF$

$$R_C = \frac{C_{OUT}}{C_C} \times \frac{V_{OUT}}{0.5 \times I_{OUT(MAX)}} =$$

$$\frac{4.7 \times 10^{-6}}{560 \times 10^{-12}} \times \frac{2.5}{0.5 \times 1} = 41.9k\Omega$$

Select the nearest standard value: $R_C = 43k\Omega$

PC Board Layout

A properly designed PC board layout is important in any switching regulator. The switching power stage requires particular attention. Follow these guidelines for good PC board layout:

- 1) Place decoupling capacitors as close to IC pins as possible. Keep the power ground plane (connected to PGND) and signal ground plane (connected to GND) separate. Connect the two ground planes with a single connection from PGND to GND.
- 2) Input and output capacitors are connected to the power ground plane; all other capacitors are connected to the signal ground plane.
- 3) Keep the high-current paths as short and wide as possible.
- 4) If possible, connect IN, LX, and PGND separately to a large land area to help cool the IC to further improve efficiency and long-term reliability.
- 5) Ensure all feedback connections are short and direct. Place feedback resistors (if used) as close to the IC as possible.
- 6) Route high-speed switching nodes (LX) away from sensitive analog areas (FB, COMP, SS).

Table 4. Recommended Components for the MAX1973

| V _{OUT} (V) | C _{IN} (μF) | C _{OUT} (μF) | C _C (pF) | R _C (kΩ) |
|----------------------|----------------------|-----------------------|---------------------|---------------------|
| 2.5 | 4.7 | 4.7 | 560 | 43 |
| 1.8 | 4.7 | 4.7 | 560 | 30 |

Table 5. Recommended Components for the MAX1974

| V _{OUT} (V) | C _{IN} (μF) | C _{OUT} (μF) | C _C (pF) | R _C (kΩ) |
|----------------------|----------------------|-----------------------|---------------------|---------------------|
| 1.5 | 4.7 | 4.7 | 330 | 43 |
| 1.0 | 4.7 | 4.7 | 330 | 27 |

Selector Guide

| PART | FEATURES | OUTPUT PRESET |
|------------|-------------------|---------------|
| MAX1973EUB | Voltage Margining | 1.8V or 2.5V |
| MAX1974EUB | Power-OK Output | 1V or 1.5V |

Chip Information

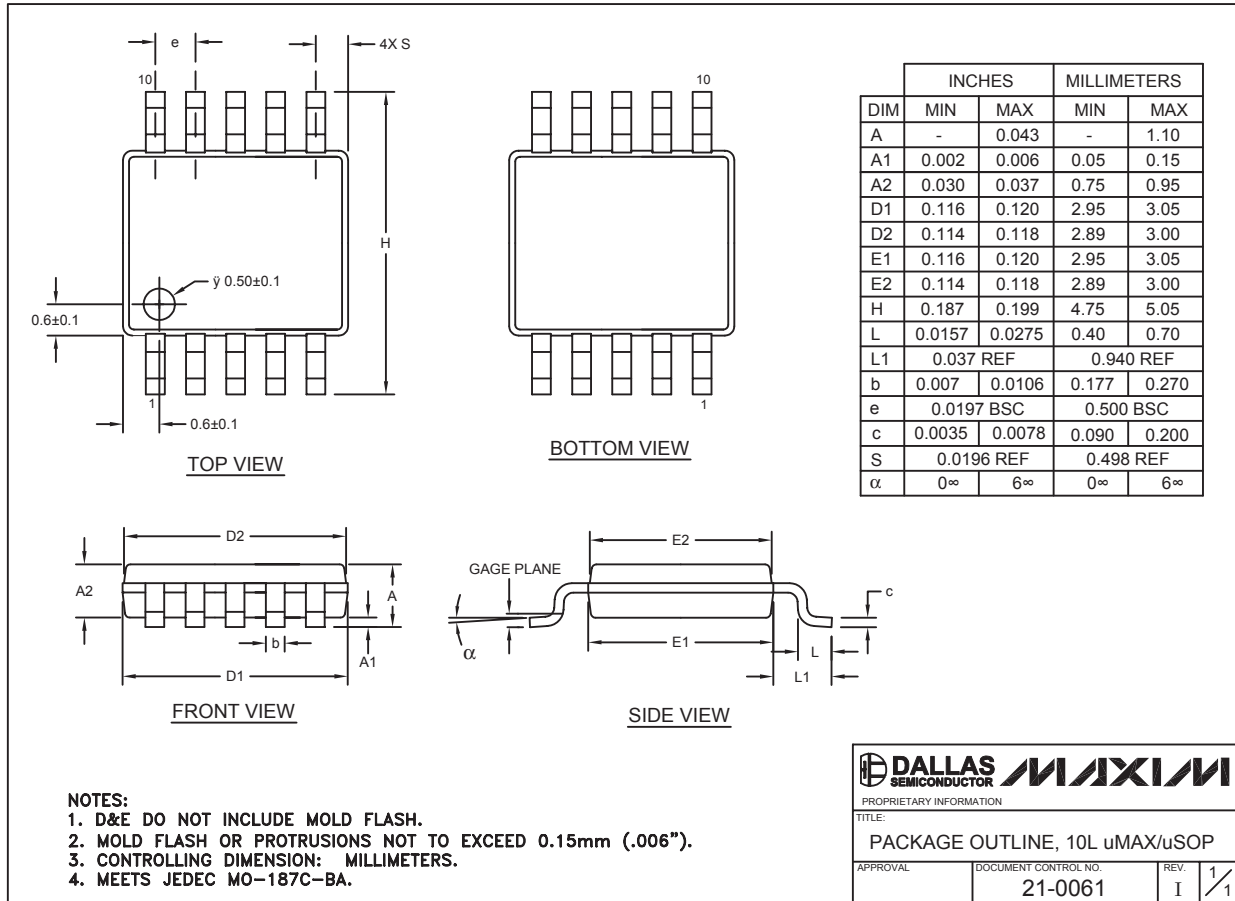
TRANSISTOR COUNT: 1998
 PROCESS: BiCMOS

Smallest 1A, 1.4MHz Step-Down Regulators

Package Information

(The package drawing(s) in this data sheet may not reflect the most current specifications. For the latest package outline information, go to www.maxim-ic.com/packages.)

MAX1973/MAX1974



10L uMAX uSOP

Maxim cannot assume responsibility for use of any circuitry other than circuitry entirely embodied in a Maxim product. No circuit patent licenses are implied. Maxim reserves the right to change the circuitry and specifications without notice at any time.

Maxim Integrated Products, 120 San Gabriel Drive, Sunnyvale, CA 94086 408-737-7600 _____ 15

Mouser Electronics

Authorized Distributor

Click to View Pricing, Inventory, Delivery & Lifecycle Information:

[Maxim Integrated:](#)

[MAX1973EUB+](#) [MAX1973EUB+T](#) [MAX1974EUB+](#) [MAX1974EUB+T](#)