

## Sinusoidal Sensorless 3-Phase Brushless DC Fan Motor Driver

### Features

- 180° Sinusoidal Drive, for high efficiency and low acoustic noise
- Position Sensorless BLDC Drivers (No Hall-effect sensor required)
- Integrated Power Transistors
- Supports 2V to 5.5V Power Supplies
- Programming Resistor ( $R_{PROG}$ ) setting to fit motor constant ( $K_m$ ) range from 3.25 mV/Hz to 52 mV/Hz
- Direction Control:
  - Forward direction: connect DIR pin to GND or leave floating
  - Reverse direction: connect DIR pin to  $V_{BIAS}$  or 3V
- Speed Control through Power Supply Modulation (PSM) and/or Pulse-Width Modulation (PWM)
- Built-in Frequency Generator (FG Output Signal)
- Built-in Lockup Protection and Automatic Recovery Circuit
- Built-in Overcurrent Limitation
- Built-in Thermal Shutdown Protection
- Built-in Over Voltage Protection
- No External Tuning Required
- Available Package
  - 10-Lead 3mm x 3mm UDFN

### Applications

- Notebook CPU Cooling Fans
- 5V 3-Phase BLDC Motors

### Description

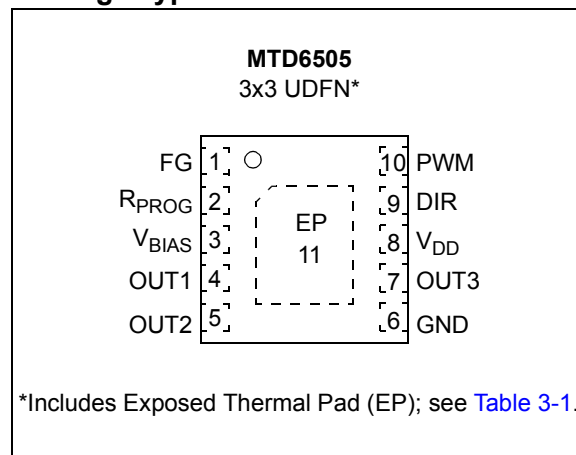
The MTD6505 device is a 3-phase full-wave sensorless driver for brushless DC (BLDC) motors. It features 180° sinusoidal drive, high torque output and silent drive. With the adaptive features, parameters and wide range of power supplies (2V to 5.5V), the MTD6505 is intended to cover a broad range of motor characteristics, while requiring minimum external components. Speed control can be achieved through either power supply modulation (PSM) or pulse-width modulation (PWM).

The compact packaging and the minimal bill-of-material make the MTD6505 device extremely cost efficient in fan applications. For example, the CPU cooling fans in notebook computers require designs that provide low acoustic noise, low mechanical vibration, and are highly efficient. The frequency generator (FG) output enables precision speed control in closed-loop applications.

The MTD6505 device includes Lockup Protection mode to turn off the output current when the motor is in a lock condition, with an automatic recovery feature to restart the fan when the lock condition is removed. Motor overcurrent limitation and thermal shutdown protection are included for safety enhanced operations.

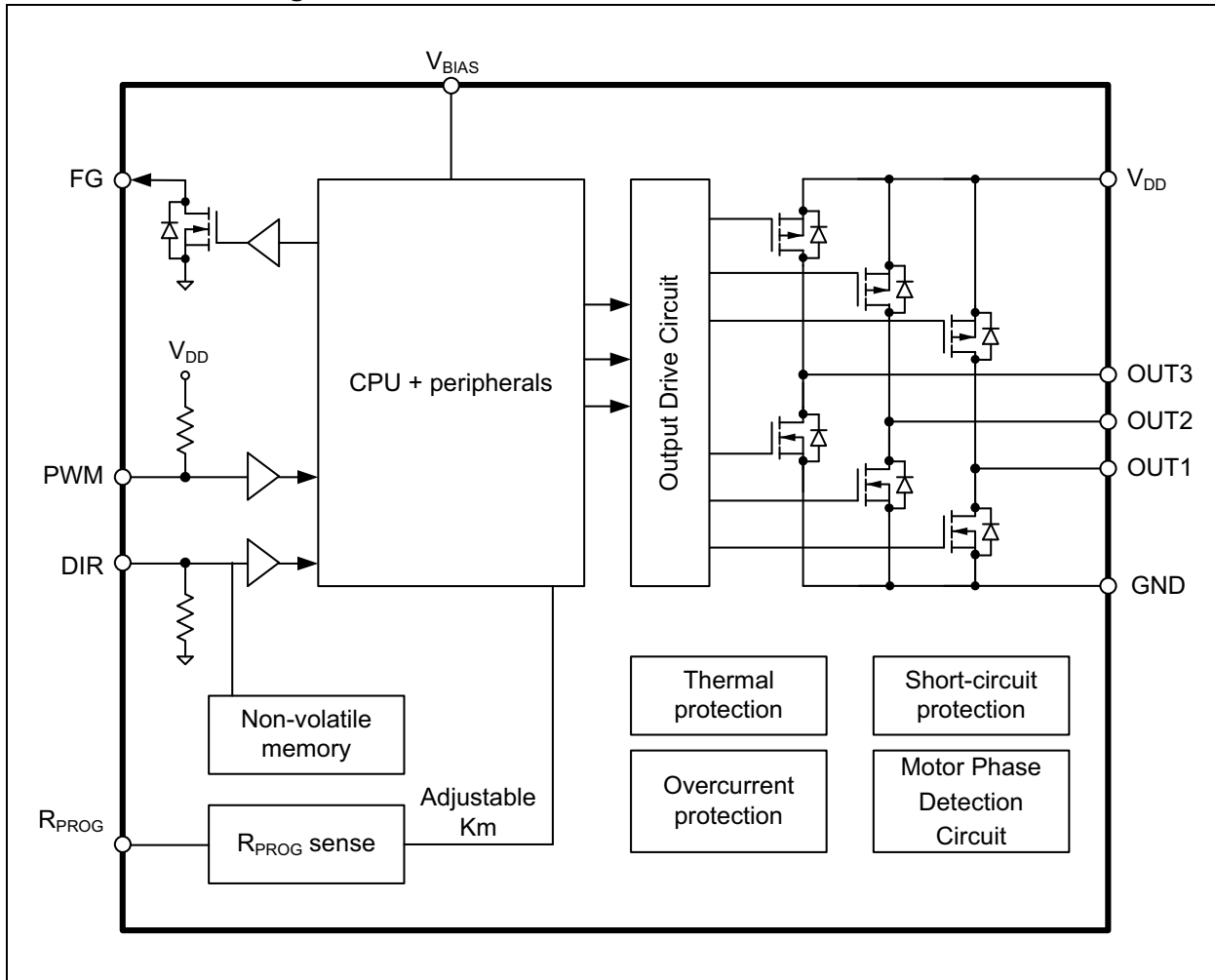
The MTD6505 is available in a compact, thermally enhanced, 3mm x 3mm 10-lead UDFN package.

### Package Types

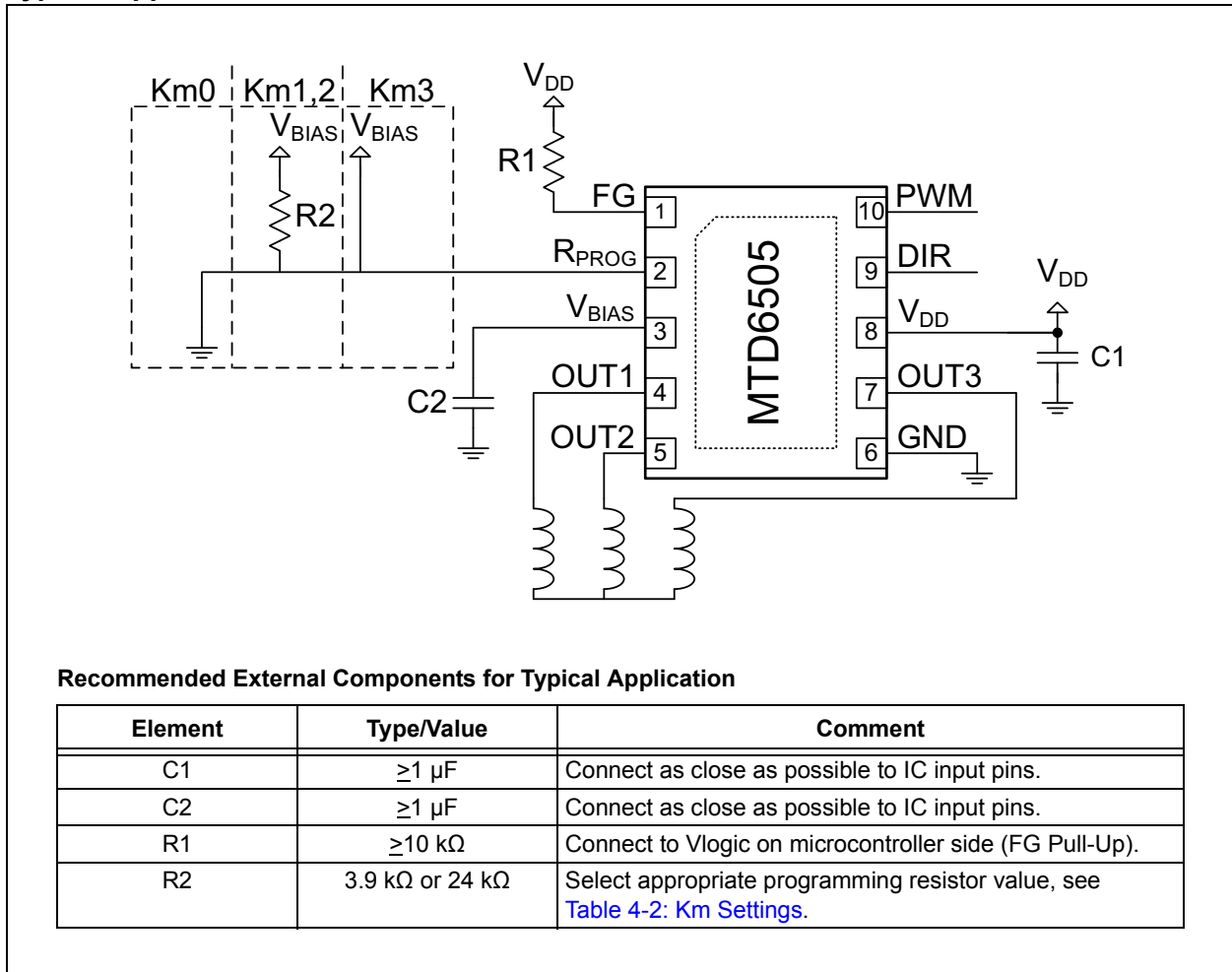


# MTD6505

## Functional Block Diagram



## Typical Application



# MTD6505

---

NOTES:

## 1.0 ELECTRICAL CHARACTERISTICS

### Absolute Maximum Ratings†

Power Supply Voltage ( $V_{DD\_MAX}$ )	-0.7 to +7.0V
Maximum Output Voltage ( $V_{OUT\_MAX}$ )	-0.7 to +7.0V
Maximum Output Current <sup>(2)</sup> ( $I_{OUT\_MAX}$ )	1000 mA
FG Maximum Output Voltage ( $V_{FG\_MAX}$ )	-0.7 to +7.0V
FG Maximum Output Current ( $I_{FG\_MAX}$ )	5.0 mA
$V_{DD}$ Maximum Voltage ( $V_{DD\_MAX}$ )	-0.7 to +4.0V
PWM Maximum Voltage ( $V_{PWM\_MAX}$ )	-0.7 to +7.0V
Allowable Power Dissipation <sup>(1)</sup> ( $P_{D\_MAX}$ )	1.5W
Max Junction Temperature ( $T_J$ )	+150°C
ESD protection on all pins	≥2 kV

† **Notice:** Stresses above those listed under “Maximum Ratings” may cause permanent damage to the device. This is a stress rating only and functional operation of the device at those or any other conditions above those indicated in the operational listings of this specification is not implied. Exposure to maximum rating conditions for extended periods may affect device reliability.

**Note 1:** Reference PCB, according to JEDEC standard EIA/JESD 51-9.

**2:**  $I_{OUT}$  is also internally limited, according to the limits defined in the Electrical Characteristics table.

### ELECTRICAL CHARACTERISTICS

Electrical Specifications: Unless otherwise specified, all limits are established for $V_{DD} = 5.5V$ to $2.0V$ , $T_A = +25^\circ C$						
Parameters	Sym	Min	Typ	Max	Units	Conditions
Power Supply Voltage	$V_{DD}$	2	—	5.5	V	
Power Supply Current	$I_{VDD}$	—	5	10	mA	$V_{DD} = 5V$
Standby Current	$I_{VDD\_STB}$	—	30	40	μA	PWM = 0V, $V_{DD} = 5V$ (Standby mode)
OUT1 High Resistance	$R_{ON(H)}$	—	0.75	—	Ω	$I_{OUT} = 0.5A$ , $V_{DD} = 5V$
OUT2 Low Resistance	$R_{ON(L)}$	—	0.75	—	Ω	$I_{OUT} = 0.5A$ , $V_{DD} = 5V$
OUT3 Total Resistance	$R_{ON(H+L)}$	—	1.5	—	Ω	$I_{OUT} = 0.5A$ , $V_{DD} = 5V$
$V_{BIAS}$ Internal Supply Voltage	$V_{BIAS}$	—	3	—	V	$V_{DD} = 3.2V$ to $5.5V$
		—	$V_{DD} - 0.2$	—	V	$V_{DD} < 3.2V$
PWM Input Frequency	$f_{PWM}$	1	—	100	kHz	
PWM Input H Level	$V_{PWM\_H}$	$0.55 \cdot V_{DD}$	—	$V_{DD}$	V	$V_{DD} \geq 4.5V$
PWM Input L Level	$V_{PWM\_L}$	0	—	$0.2 \cdot V_{DD}$	V	$V_{DD} \geq 4.5V$
PWM Internal Pull-Up Resistor	$R_{PWM\_0}$	—	266	—	kΩ	PWM = 0V
PWM Internal Pull-Up Resistor	$R_{PWM}$	—	133	—	kΩ	PWM duty-cycle > 0%
DIR Input H Level	$V_{DIR\_H}$	$0.55 \cdot V_{DD}$	—	$V_{DD}$	V	$V_{DD} \geq 4.5V$
DIR Input L Level	$V_{DIR\_L}$	0	—	$0.2 \cdot V_{DD}$	V	$V_{DD} \geq 4.5V$
DIR Internal Pull-Down Resistor	$R_{DIR}$	100	—	200	kΩ	
FG Output Pin Low Level Voltage	$V_{OL\_FG}$	—	—	0.25	V	$I_{FG} = -1$ mA
FG Output Pin Leakage Current	$I_{LH\_FG}$	-10	—	10	μA	$V_{FG} = 5.5V$

**Note 1:** 750 mA is the standard option for MTD6505. Additional overcurrent protection levels are available upon request. Please contact factory for different overcurrent protection values.

**2:** Related to the internal oscillator frequency (see [Figure 2-1](#))

# MTD6505

## ELECTRICAL CHARACTERISTICS (CONTINUED)

Electrical Specifications: Unless otherwise specified, all limits are established for $V_{DD} = 5.5V$ to $2.0V$ , $T_A = +25^\circ C$						
Parameters	Sym	Min	Typ	Max	Units	Conditions
Lock Protection Operating Time	$T_{RUN}$	—	0.5	—	s	
Lock Protection Waiting Time	$T_{WAIT}$	4.5	5	5.5	s	Note 2
Overcurrent Protection	$I_{OC\_MOT}$	—	750	—	mA	
Overvoltage Protection	$V_{OV}$	—	7.2	—	V	
Short Protection on High Side	$I_{OC\_SW\_H}$	—	2.57	—	A	
Short Protection on Low Side	$I_{OC\_SW\_L}$	—	-2.83	—	A	
Thermal Shutdown	$T_{SD}$	—	170	—	$^\circ C$	
Thermal Shutdown Hysteresis	$T_{SD\_HYS}$	—	25	—	$^\circ C$	

**Note 1:** 750 mA is the standard option for MTD6505. Additional overcurrent protection levels are available upon request. Please contact factory for different overcurrent protection values.

**2:** Related to the internal oscillator frequency (see [Figure 2-1](#))

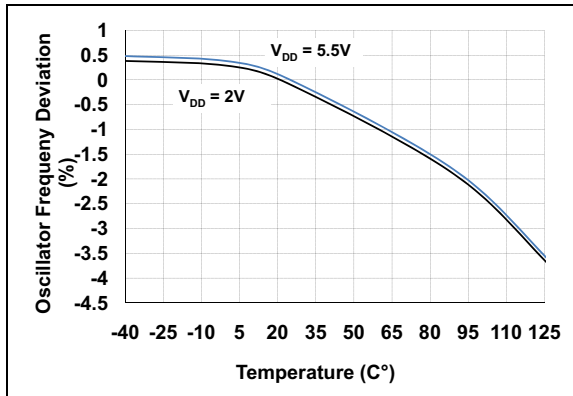
## TEMPERATURE SPECIFICATIONS

Electrical Specifications: Unless otherwise specified, all limits are established for $V_{DD} = 5.5V$ to $2.0V$ , $T_A = +25^\circ C$ .						
Parameters	Sym	Min	Typ	Max	Units	Conditions
<b>Temperature Ranges</b>						
Operating Temperature	$T_{OPR}$	-40	—	+125	$^\circ C$	
Storage Temperature Range	$T_{STG}$	-55	—	+150	$^\circ C$	
<b>Thermal Package Resistances</b>						
Thermal Resistance, 10L-UDFN	$\theta_{JA}$	—	96.6	—	$^\circ C/W$	

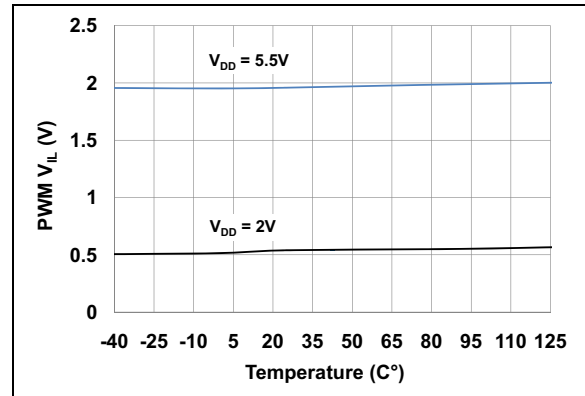
## 2.0 TYPICAL PERFORMANCE CURVES

**Note:** The graphs and tables provided following this note are a statistical summary based on a limited number of samples and are provided for informational purposes only. The performance characteristics listed herein are not tested or guaranteed. In some graphs or tables, the data presented may be outside the specified operating range (e.g., outside specified power supply range) and therefore outside the warranted range.

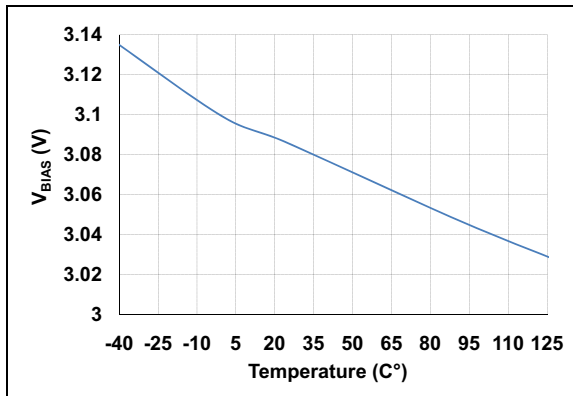
**Note:** Unless indicated,  $T_A = +25^\circ\text{C}$ ,  $V_{DD} = 5.5\text{V}$  to  $2.0\text{V}$ , OUT1, 2, 3 and PWM open.



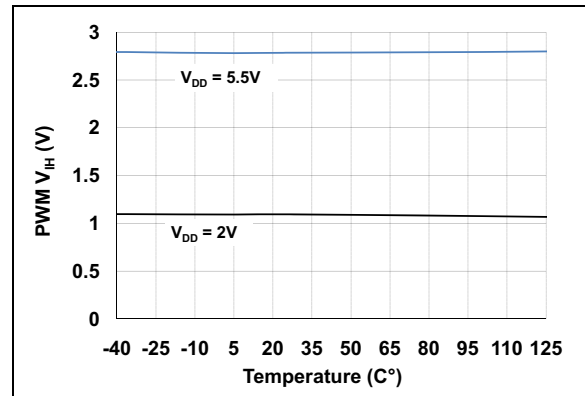
**FIGURE 2-1:** Oscillator Frequency Deviation vs. Temperature.



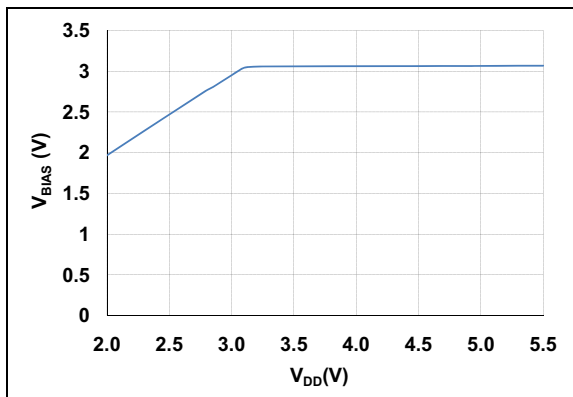
**FIGURE 2-4:** Inputs (PWM, DIR)  $V_{IL}$  vs. Temperature.



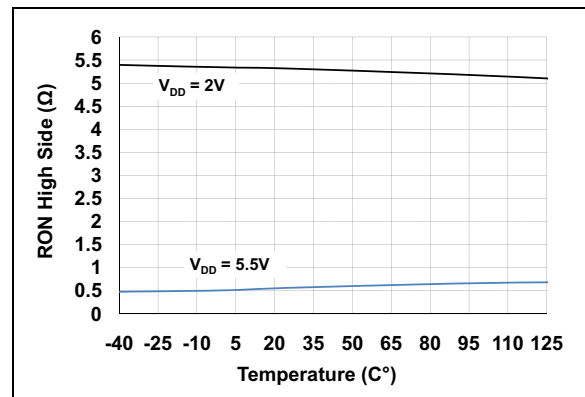
**FIGURE 2-2:** Internal Regulated Voltage ( $V_{BIAS}$ ) vs Temperature.



**FIGURE 2-5:** Inputs (PWM, DIR)  $V_{IH}$  vs. Temperature.



**FIGURE 2-3:** Internal Regulated Voltage ( $V_{BIAS}$ ) vs Supply Voltage ( $V_{DD}$ ).



**FIGURE 2-6:** Outputs  $R_{ON}$  High Side Resistance vs. Temperature.

# MTD6505

Note: Unless indicated,  $T_A = +25^\circ\text{C}$ ,  $V_{DD} = 5.5\text{V}$  to  $2.0\text{V}$ , OUT1, 2, 3 and PWM open.

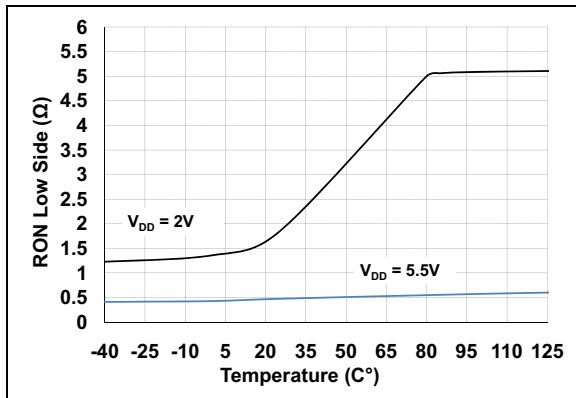


FIGURE 2-7: Outputs  $R_{ON}$  Low Side Resistance vs. Temperature.

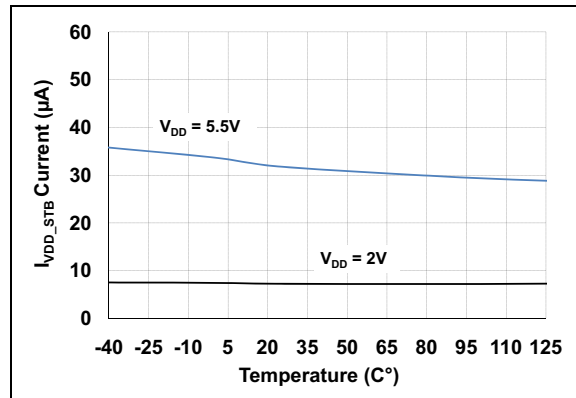


FIGURE 2-9: Stand-By Current vs. Temperature.

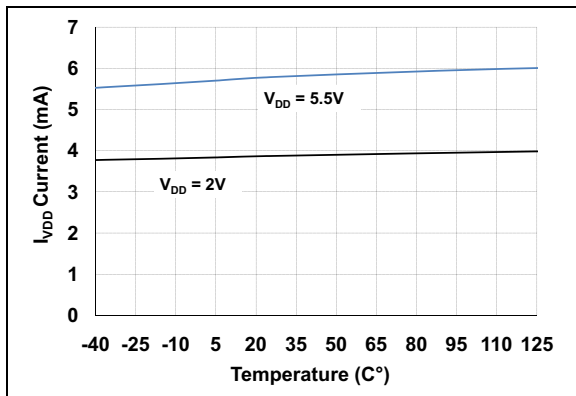


FIGURE 2-8: Supply Current vs. Temperature.

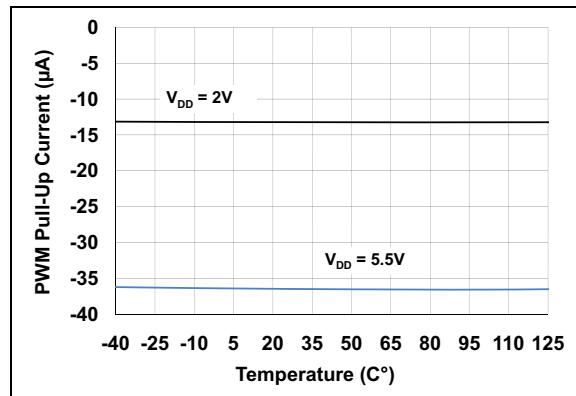


FIGURE 2-10: PWM Pull-Up Current vs. Temperature.

## 3.0 PIN DESCRIPTIONS

The descriptions of the pins are listed in Table 3-1.

TABLE 3-1: MTD6505 PIN FUNCTION TABLE

Pin Number	Type	Name	Function
1	O	FG	Motor speed indication output
2	I	$R_{PROG}$	Km parameter setting with external resistors, see Table 4-2 for values
3	—	$V_{BIAS}$	Internal regulator output (for decoupling only)
4	O	OUT1	Single phase coil output pin
5	O	OUT2	Single phase coil output pin
6	—	GND	Negative voltage supply (ground)
7	O	OUT3	Single phase coil output pin
8	—	$V_{DD}$	Positive voltage supply for motor driver
9	I	DIR	Motor Rotation Direction - Forward direction: connect pin to GND or leave floating - Reverse direction: connect pin to $V_{BIAS}$
10	I	PWM	PWM input signal for speed control
11	—	EP	Exposed pad (can be connected to the ground plan for better thermal dissipation)

Legend: I = Input; O = Output



## 4.0 FUNCTIONAL DESCRIPTION

The MTD6505 generates a full-wave signal to drive a 3-phase BLDC motor. High efficiency and low-power consumption are achieved due to CMOS transistors and synchronous rectification drive type.

### 4.1 Speed Control

The rotational speed of the motor can be controlled either through the PWM digital input signal or by acting directly on the power supply ( $V_{DD}$ ). When the PWM signal is High (or left open), the motor rotates at full speed. When the PWM signal is low, the IC outputs are set to high-impedance and the motor is stopped.

By changing the PWM duty cycle, the speed can be adjusted. Thus, the user has maximum freedom to choose the PWM system frequency within a wide range (from 1 kHz to 100 kHz).

Since the PWM pin has an internal pull-up resistor connected to  $V_{DD}$ , it is recommended to drive it between 0V and High-Z. The PWM driver must be able to support the pull-up resistor current, in order to drive the pin. See “PWM Internal Pull-Up Resistor” in [Section 1.0, Electrical Characteristics](#).

The output transistor activation always occurs at a fixed rate of 30 kHz, which is outside of the range of audible frequencies.

**Note 1:** The PWM frequency has no direct affect on the motor speed and is asynchronous with the activation of the output transistors.

**Note 2:** The standard output frequency is 30 kHz. A 20 kHz output frequency option is available upon request.

### 4.2 Motor Rotation Direction

The current-carrying order of the outputs depends on the DIR pin state (“Rotation Direction”) and is described in [Table 4-1](#). The DIR pin is not designed for dynamic direction change during operation.

**TABLE 4-1: MOTOR ROTATION DIRECTION OPTIONS (DIR PIN)**

DIR Pin State	Rotation Direction	Outputs Activation Sequence
Connected to GND or Floating	Forward	OUT1 → OUT2 → OUT3
Connected to $V_{BIAS}$	Reverse	OUT3 → OUT2 → OUT1

### 4.3 Frequency Generator Function

The Frequency Generator output (FG) is a “Hall-effect sensor equivalent” digital output, giving information to an external controller about the speed and phase of the motor. The FG pin is an open drain output, connecting to a logical voltage level through an external pull-up resistor. When a lock, or an out-of-sync situation is detected by the driver, this output is set to high-impedance until the motor is restarted. Leave the pin open when it is not used.

### 4.4 Lockup Protection and Automatic Restart

If the motor is blocked and cannot rotate freely, a lock-up protection circuit detects it and disables the driver by setting its outputs to high-impedance to prevent the motor coil from burnout. After a “waiting time” ( $T_{WAIT}$ ), the lock-up protection is released and normal operation resumes for a given time ( $T_{RUN}$ ). If the motor is still blocked, a new period of waiting time is started.  $T_{WAIT}$  and  $T_{RUN}$  timings are fixed internally, so that no external capacitor is required.

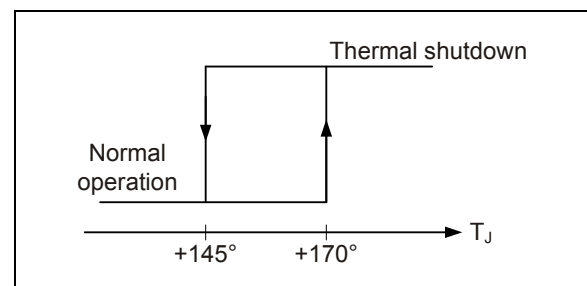
### 4.5 Overcurrent Protection

The motor peak current is limited by the driver to 750 mA (standard value), thus limiting the maximum power dissipation in the coils.

### 4.6 Thermal Shutdown

The MTD6505 device has a thermal protection function which detects when the die temperature exceeds  $T_J = +170^{\circ}\text{C}$ . When this temperature is reached, the circuit enters the Thermal Shutdown mode, and the outputs OUT1, OUT2 and OUT3 are disabled (high-impedance), avoiding the IC destruction and allowing the circuit to cool down. When the junction temperature ( $T_J$ ) drops below  $+145^{\circ}\text{C}$ , normal operation resumes.

The thermal detection circuit has  $+25^{\circ}\text{C}$  hysteresis.



**FIGURE 4-1: Thermal Protection Hysteresis.**

# MTD6505

---

## 4.7 Internal Voltage Regulator

$V_{BIAS}$  voltage is generated internally and is used to supply internal logical blocks. The  $V_{BIAS}$  pin is used to connect an external decoupling capacitor (1  $\mu$ F or higher). Notice that this pin is for IC internal use, and is not designed to supply DC current to external blocks.

## 4.8 BEMF Coefficient Setting

$K_m$  is the electro-mechanical coupling coefficient of the motor (also referred to as “motor constant” or “BEMF constant”). Depending on the conventions in use, the exact definition of  $K_m$  and its measurement criteria can vary among motor manufacturers. To accommodate various motor applications, the MTD6505 provides options to facilitate diverse BEMF coefficients.

The MTD6505 defines BEMF coefficient ( $K_m$ ) as the peak value of the phase-to-phase BEMF voltage, normalized to the electrical speed of the motor. The following table offers methods to set the  $K_m$  value for the MTD6505 device.

**TABLE 4-2:  $K_m$  SETTINGS**

Km Option	Km (mV/Hz) Range Phase-to-Phase		$R_{PROG}$
	Min	Max	
Km0	3.25	6.5	GND
Km1	6.5	13	24 k $\Omega$
Km2	13	26	3.9 k $\Omega$
Km3	26	52	$V_{BIAS}$

The  $R_{PROG}$  sensing is actually a sequence that is controlled by the firmware. For any given  $R_{PROG}$ , the internal control block will output the corresponding  $K_m$  range.

## 5.0 PACKAGING INFORMATION

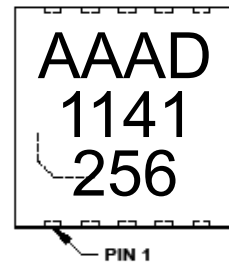
### 5.1 Package Marking Information

10-Lead UDFN (3x3x0.5 mm)



Device	Code
MTD6505T-E/NA	AAAD

Example

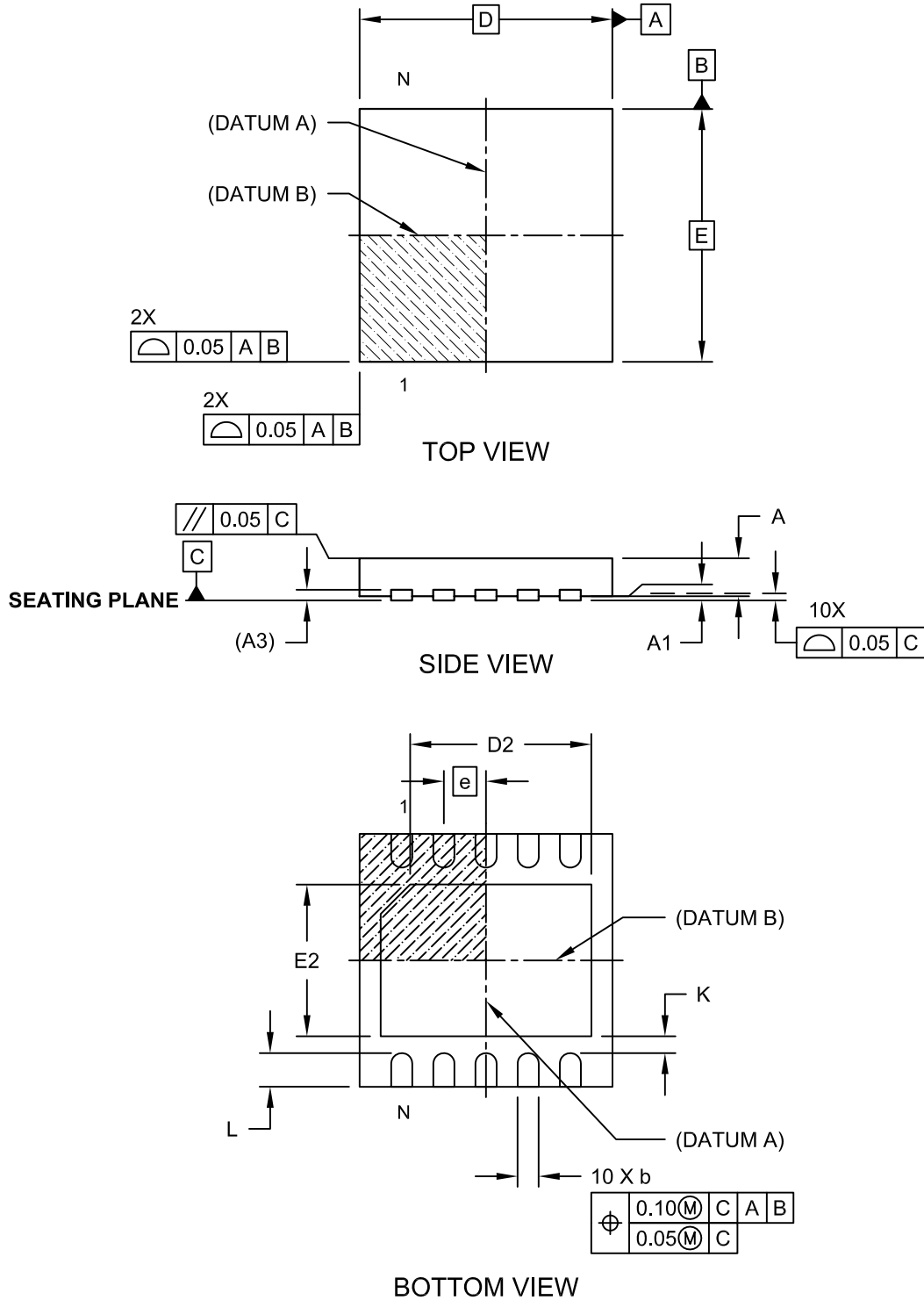


<b>Legend:</b>	XX...X	Customer-specific information
	Y	Year code (last digit of calendar year)
	YY	Year code (last 2 digits of calendar year)
	WW	Week code (week of January 1 is week '01')
	NNN	Alphanumeric traceability code
	(e3)	Pb-free JEDEC designator for Matte Tin (Sn)
	*	This package is Pb-free. The Pb-free JEDEC designator (e3) can be found on the outer packaging for this package.
<b>Note:</b>	In the event the full Microchip part number cannot be marked on one line, it will be carried over to the next line, thus limiting the number of available characters for customer-specific information.	

# MTD6505

## 10-Lead Ultra-thin Dual Flatpack No-Lead (NA[Y]) – 3x3x0.5 mm Body [UDFN]

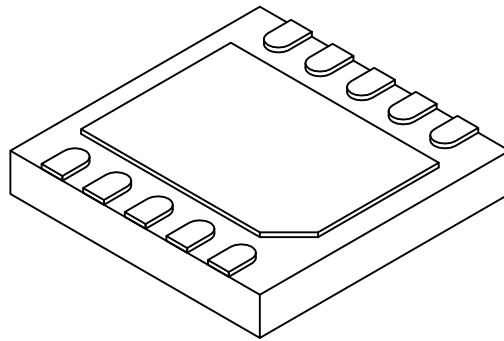
**Note:** For the most current package drawings, please see the Microchip Packaging Specification located at <http://www.microchip.com/packaging>



Microchip Technology Drawing C04-194A Sheet 1 of 2

## 10-Lead Ultra-thin Dual Flatpack No-Lead (NA[Y]) – 3x3x0.5 mm Body [UDFN]

**Note:** For the most current package drawings, please see the Microchip Packaging Specification located at <http://www.microchip.com/packaging>



Dimension	Units Limits	MILLIMETERS		
		MIN	NOM	MAX
Number of Pins	N	10		
Pitch	e	0.50 BSC		
Overall Height	A	0.45	0.50	0.55
Standoff	A1	0.00	-	0.05
Overall Length	D	3.00 BSC		
Overall Width	E	3.00 BSC		
Exposed Pad Length	D2	2.40	2.50	2.60
Exposed Pad Width	E2	1.70	1.80	1.90
Terminal Thickness	(A3)	0.127 REF		
Terminal Width	b	0.20	0.25	0.30
Terminal Length	L	0.30	0.40	0.50
Terminal-to-Exposed Pad	K	0.20	-	-

**Notes:**

- Pin 1 visual index feature may vary, but must be located within the hatched area.
- Package may have one or more exposed tie bars at ends.
- Package is saw singulated
- Dimensioning and tolerancing per ASME Y14.5M.
  - BSC: Basic Dimension. Theoretically exact value shown without tolerances.
  - REF: Reference Dimension, usually without tolerance, for information purposes only.

# MTD6505

---

NOTES:

## APPENDIX A: REVISION HISTORY

### Revision A (November 2011)

This is the original release of this document.

# MTD6505

---

NOTES:



## PRODUCT IDENTIFICATION SYSTEM

To order or obtain information, e.g., on pricing or delivery, refer to the factory or the listed sales office.

<u>PART NO.</u>	<u>T</u>	<u>X</u>	<u>XX</u>
Device	Tape & Reel	Temperature	Package
Device:	MTD6505T: 3-Phase Brushless DC, Sinusoidal Sensorless Fan Motor Driver (Tape and Reel)		
Temperature Range:	E	=	Extended -40°C to +125°C
Package:	NA	=	Plastic Dual Flat, thermally-enhanced, 3x3x0.5 mm Body (UDFN)

**Examples:**

a) MTD6505T-E/NA Tape and Reel, Extended Temperature 10LD UDFN Package

# MTD6505

---

NOTES:

---

**Note the following details of the code protection feature on Microchip devices:**

- Microchip products meet the specification contained in their particular Microchip Data Sheet.
- Microchip believes that its family of products is one of the most secure families of its kind on the market today, when used in the intended manner and under normal conditions.
- There are dishonest and possibly illegal methods used to breach the code protection feature. All of these methods, to our knowledge, require using the Microchip products in a manner outside the operating specifications contained in Microchip's Data Sheets. Most likely, the person doing so is engaged in theft of intellectual property.
- Microchip is willing to work with the customer who is concerned about the integrity of their code.
- Neither Microchip nor any other semiconductor manufacturer can guarantee the security of their code. Code protection does not mean that we are guaranteeing the product as “unbreakable.”

Code protection is constantly evolving. We at Microchip are committed to continuously improving the code protection features of our products. Attempts to break Microchip's code protection feature may be a violation of the Digital Millennium Copyright Act. If such acts allow unauthorized access to your software or other copyrighted work, you may have a right to sue for relief under that Act.

---

Information contained in this publication regarding device applications and the like is provided only for your convenience and may be superseded by updates. It is your responsibility to ensure that your application meets with your specifications. MICROCHIP MAKES NO REPRESENTATIONS OR WARRANTIES OF ANY KIND WHETHER EXPRESS OR IMPLIED, WRITTEN OR ORAL, STATUTORY OR OTHERWISE, RELATED TO THE INFORMATION, INCLUDING BUT NOT LIMITED TO ITS CONDITION, QUALITY, PERFORMANCE, MERCHANTABILITY OR FITNESS FOR PURPOSE. Microchip disclaims all liability arising from this information and its use. Use of Microchip devices in life support and/or safety applications is entirely at the buyer's risk, and the buyer agrees to defend, indemnify and hold harmless Microchip from any and all damages, claims, suits, or expenses resulting from such use. No licenses are conveyed, implicitly or otherwise, under any Microchip intellectual property rights.

**Trademarks**

The Microchip name and logo, the Microchip logo, dsPIC, KEELOQ, KEELOQ logo, MPLAB, PIC, PICmicro, PICSTART, PIC<sup>32</sup> logo, rPIC and UNI/O are registered trademarks of Microchip Technology Incorporated in the U.S.A. and other countries.

FilterLab, Hampshire, HI-TECH C, Linear Active Thermistor, MXDEV, MXLAB, SEEVAL and The Embedded Control Solutions Company are registered trademarks of Microchip Technology Incorporated in the U.S.A.

Analog-for-the-Digital Age, Application Maestro, chipKIT, chipKIT logo, CodeGuard, dsPICDEM, dsPICDEM.net, dsPICworks, dsSPEAK, ECAN, ECONOMONITOR, FanSense, HI-TIDE, In-Circuit Serial Programming, ICSP, Mindi, MiWi, MPASM, MPLAB Certified logo, MPLIB, MPLINK, mTouch, Omniscient Code Generation, PICC, PICC-18, PICDEM, PICDEM.net, PICKit, PICtail, REAL ICE, rLAB, Select Mode, Total Endurance, TSHARC, UniWinDriver, WiperLock and ZENA are trademarks of Microchip Technology Incorporated in the U.S.A. and other countries.

SQTP is a service mark of Microchip Technology Incorporated in the U.S.A.

All other trademarks mentioned herein are property of their respective companies.

© 2011, Microchip Technology Incorporated, Printed in the U.S.A., All Rights Reserved.

 Printed on recycled paper.

ISBN: 978-1-61341-788-1

**QUALITY MANAGEMENT SYSTEM**  
**CERTIFIED BY DNV**  
**== ISO/TS 16949:2009 ==**

*Microchip received ISO/TS-16949:2009 certification for its worldwide headquarters, design and wafer fabrication facilities in Chandler and Tempe, Arizona; Gresham, Oregon and design centers in California and India. The Company's quality system processes and procedures are for its PIC<sup>®</sup> MCUs and dsPIC<sup>®</sup> DSCs, KEELOQ<sup>®</sup> code hopping devices, Serial EEPROMs, microperipherals, nonvolatile memory and analog products. In addition, Microchip's quality system for the design and manufacture of development systems is ISO 9001:2000 certified.*



# MICROCHIP

## Worldwide Sales and Service

### AMERICAS

**Corporate Office**  
2355 West Chandler Blvd.  
Chandler, AZ 85224-6199  
Tel: 480-792-7200  
Fax: 480-792-7277  
Technical Support:  
<http://www.microchip.com/support>  
Web Address:  
[www.microchip.com](http://www.microchip.com)

**Atlanta**  
Duluth, GA  
Tel: 678-957-9614  
Fax: 678-957-1455

**Boston**  
Westborough, MA  
Tel: 774-760-0087  
Fax: 774-760-0088

**Chicago**  
Itasca, IL  
Tel: 630-285-0071  
Fax: 630-285-0075

**Cleveland**  
Independence, OH  
Tel: 216-447-0464  
Fax: 216-447-0643

**Dallas**  
Addison, TX  
Tel: 972-818-7423  
Fax: 972-818-2924

**Detroit**  
Farmington Hills, MI  
Tel: 248-538-2250  
Fax: 248-538-2260

**Indianapolis**  
Noblesville, IN  
Tel: 317-773-8323  
Fax: 317-773-5453

**Los Angeles**  
Mission Viejo, CA  
Tel: 949-462-9523  
Fax: 949-462-9608

**Santa Clara**  
Santa Clara, CA  
Tel: 408-961-6444  
Fax: 408-961-6445

**Toronto**  
Mississauga, Ontario,  
Canada  
Tel: 905-673-0699  
Fax: 905-673-6509

### ASIA/PACIFIC

**Asia Pacific Office**  
Suites 3707-14, 37th Floor  
Tower 6, The Gateway  
Harbour City, Kowloon  
Hong Kong  
Tel: 852-2401-1200  
Fax: 852-2401-3431

**Australia - Sydney**  
Tel: 61-2-9868-6733  
Fax: 61-2-9868-6755

**China - Beijing**  
Tel: 86-10-8569-7000  
Fax: 86-10-8528-2104

**China - Chengdu**  
Tel: 86-28-8665-5511  
Fax: 86-28-8665-7889

**China - Chongqing**  
Tel: 86-23-8980-9588  
Fax: 86-23-8980-9500

**China - Hangzhou**  
Tel: 86-571-2819-3187  
Fax: 86-571-2819-3189

**China - Hong Kong SAR**  
Tel: 852-2401-1200  
Fax: 852-2401-3431

**China - Nanjing**  
Tel: 86-25-8473-2460  
Fax: 86-25-8473-2470

**China - Qingdao**  
Tel: 86-532-8502-7355  
Fax: 86-532-8502-7205

**China - Shanghai**  
Tel: 86-21-5407-5533  
Fax: 86-21-5407-5066

**China - Shenyang**  
Tel: 86-24-2334-2829  
Fax: 86-24-2334-2393

**China - Shenzhen**  
Tel: 86-755-8203-2660  
Fax: 86-755-8203-1760

**China - Wuhan**  
Tel: 86-27-5980-5300  
Fax: 86-27-5980-5118

**China - Xian**  
Tel: 86-29-8833-7252  
Fax: 86-29-8833-7256

**China - Xiamen**  
Tel: 86-592-2388138  
Fax: 86-592-2388130

**China - Zhuhai**  
Tel: 86-756-3210040  
Fax: 86-756-3210049

### ASIA/PACIFIC

**India - Bangalore**  
Tel: 91-80-3090-4444  
Fax: 91-80-3090-4123

**India - New Delhi**  
Tel: 91-11-4160-8631  
Fax: 91-11-4160-8632

**India - Pune**  
Tel: 91-20-2566-1512  
Fax: 91-20-2566-1513

**Japan - Yokohama**  
Tel: 81-45-471- 6166  
Fax: 81-45-471-6122

**Korea - Daegu**  
Tel: 82-53-744-4301  
Fax: 82-53-744-4302

**Korea - Seoul**  
Tel: 82-2-554-7200  
Fax: 82-2-558-5932 or  
82-2-558-5934

**Malaysia - Kuala Lumpur**  
Tel: 60-3-6201-9857  
Fax: 60-3-6201-9859

**Malaysia - Penang**  
Tel: 60-4-227-8870  
Fax: 60-4-227-4068

**Philippines - Manila**  
Tel: 63-2-634-9065  
Fax: 63-2-634-9069

**Singapore**  
Tel: 65-6334-8870  
Fax: 65-6334-8850

**Taiwan - Hsin Chu**  
Tel: 886-3-5778-366  
Fax: 886-3-5770-955

**Taiwan - Kaohsiung**  
Tel: 886-7-536-4818  
Fax: 886-7-330-9305

**Taiwan - Taipei**  
Tel: 886-2-2500-6610  
Fax: 886-2-2508-0102

**Thailand - Bangkok**  
Tel: 66-2-694-1351  
Fax: 66-2-694-1350

### EUROPE

**Austria - Wels**  
Tel: 43-7242-2244-39  
Fax: 43-7242-2244-393

**Denmark - Copenhagen**  
Tel: 45-4450-2828  
Fax: 45-4485-2829

**France - Paris**  
Tel: 33-1-69-53-63-20  
Fax: 33-1-69-30-90-79

**Germany - Munich**  
Tel: 49-89-627-144-0  
Fax: 49-89-627-144-44

**Italy - Milan**  
Tel: 39-0331-742611  
Fax: 39-0331-466781

**Netherlands - Drunen**  
Tel: 31-416-690399  
Fax: 31-416-690340

**Spain - Madrid**  
Tel: 34-91-708-08-90  
Fax: 34-91-708-08-91

**UK - Wokingham**  
Tel: 44-118-921-5869  
Fax: 44-118-921-5820

08/02/11

# Mouser Electronics

Authorized Distributor

Click to View Pricing, Inventory, Delivery & Lifecycle Information:

[Microchip:](#)

[MTD6505T-E/NA](#)