

# General purpose (dual digital transistors)

## UMH7N

●Feature

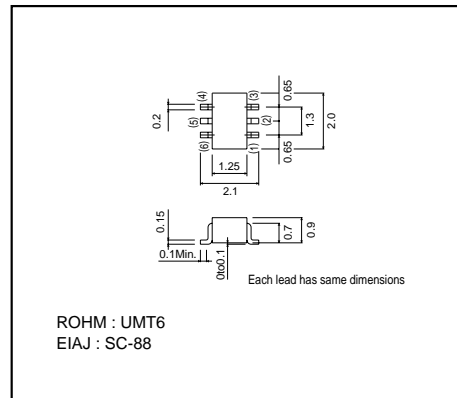
- 1) Includes two DTC143T transistors in a single UMT package.

●Absolute maximum ratings (Ta=25°C)

| Parameter                   | Symbol           | Limits      | Unit  |
|-----------------------------|------------------|-------------|-------|
| Collector-base voltage      | V <sub>CB0</sub> | 50          | V     |
| Collector-emitter voltage   | V <sub>CE0</sub> | 50          | V     |
| Emitter-base voltage        | V <sub>EB0</sub> | 5           | V     |
| Collector current           | I <sub>c</sub>   | 100         | mA    |
| Collector power dissipation | P <sub>c</sub>   | 150 (TOTAL) | mW *1 |
| Junction temperature        | T <sub>J</sub>   | 150         | °C    |
| Storage temperature         | T <sub>stg</sub> | -55~+150    | °C    |

\*1 120mW per element must not be exceeded.

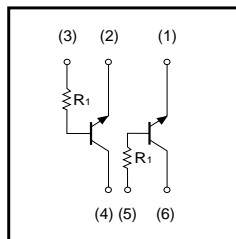
●External dimensions (Units : mm)



●Package, marking, and Packaging specifications

|                              |       |
|------------------------------|-------|
| Part No.                     | UMH7N |
| Package                      | UMT6  |
| Marking                      | H7    |
| Code                         | TR    |
| Basic ordering unit (pieces) | 3000  |

●Equivalent circuit



●Electrical characteristics (Ta=25°C)

| Parameter                            | Symbol               | Min. | Typ. | Max. | Unit | Conditions                                 |
|--------------------------------------|----------------------|------|------|------|------|--|
| Collector-base breakdown voltage     | BV <sub>CB0</sub>    | 50   | -    | -    | V    | I <sub>c</sub> =50μA                       |
| Collector-emitter breakdown voltage  | BV <sub>CE0</sub>    | 50   | -    | -    | V    | I <sub>c</sub> =1mA                        |
| Emitter-base breakdown voltage       | BV <sub>EB0</sub>    | 5    | -    | -    | V    | I <sub>e</sub> =50μA                       |
| Collector cutoff current             | I <sub>CB0</sub>     | -    | -    | 0.5  | μA   | V <sub>CB</sub> =50V                       |
| Emitter cutoff current               | I <sub>EB0</sub>     | -    | -    | 0.5  | μA   | V <sub>EB</sub> =4V                        |
| DC current transfer ratio            | h <sub>FE</sub>      | 100  | 250  | 600  | -    | V <sub>CE</sub> /I <sub>c</sub> =5V/1mA    |
| Collector-emitter saturation voltage | V <sub>CE(sat)</sub> | -    | -    | 0.3  | V    | I <sub>c</sub> /I <sub>B</sub> =5mA/0.25mA |
| Input resistance                     | R <sub>1</sub>       | 3.29 | 4.7  | 6.11 | kΩ   | -  |

# Mouser Electronics

Authorized Distributor

Click to View Pricing, Inventory, Delivery & Lifecycle Information:

[ROHM Semiconductor:](#)

[UMH7NTR](#)