

HIGH SIDE DRIVER

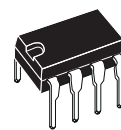
- OPERATING SUPPLY VOLTAGE UP TO 25V
- DC CURRENT 0.3A
- $R_{ON} < 800m\Omega$
- DIAGNOSTIC AND PROTECTION FUNCTIONS
- μP COMPATIBLE
- ENABLE INPUT FOR STAND-BY MODE

DESCRIPTION

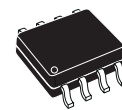
The L9820 High Side Driver realized with Multipower - BCD mixed technology, drives resistive or inductive loads with one side connected to ground.

The ENABLE input is TTL compatible and a diagnostic output provides an indication of short circuit and device status (thermal and overvoltage shut-down). Onchip thermal protection and short circuit protection are provided.

MULTIPOWER BCD TECHNOLOGY



Minidip



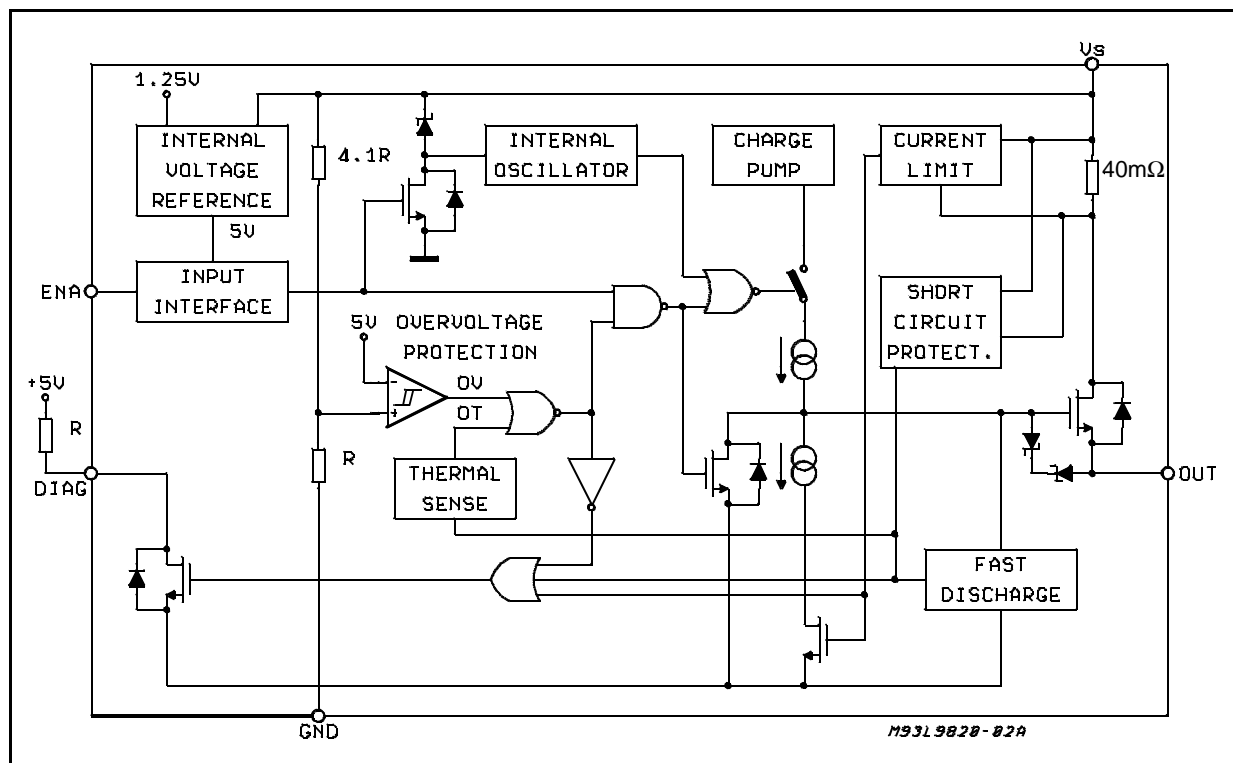
SO8

ORDERING NUMBERS:

L9820

L9820D

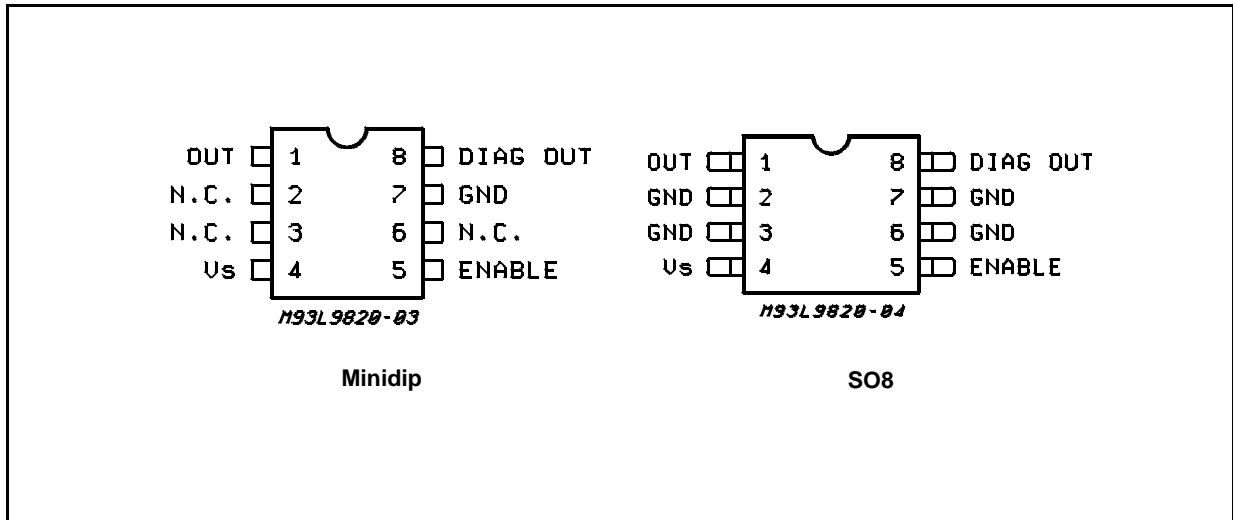
BLOCK DIAGRAM



ABSOLUTE MAXIMUM RATINGS

Symbol	Parameter	Value	Unit
V _S	Max Forward Voltage	50	Vdc
I _R	Reverse Bias Current at -1.3V	-0.46	A
V ₅	Input Voltage (to GND)	-0.3 to 20	V
V ₈	Diag. Output Voltage (to GND)	-0.3 to 20	V
V ₁	Output Voltage (to GND)	-0.3 to 25	V
I ₄	Supply Current	Internally limited	
I ₅	Enable Input Current	0.5	mA
I ₈	Diag. Out Current (sink)	10	mA
I ₁	Output Current	Internally limited	
T _{op}	Operation Temperature	-40 to 85	°C
T _j , T _{stg}	Junction and Storage Temperature Range	-55 to 150	°C
T _{jp}	Detecting Temperature	150	°C

PIN CONNECTION (Top views)



THERMAL DATA

Symbol	Parameter	Max.	Minidip	SO8	Unit
R _{th j-amb}	Thermal Resistance Junction-ambient		100	200	°C/W

TRUTH TABLE

H: high level
L: low level

ENABLE	FUNCTION	DIAG. STATUS	POWER STATUS
L	Operating OFF	H	L
H	Normal Operation	H	H
H	Overvoltage Protection ON	L	L
H	Overcurrent Protection ON	L	L
H	Overtemperature Protection ON	L	L

PIN FUNCTIONS

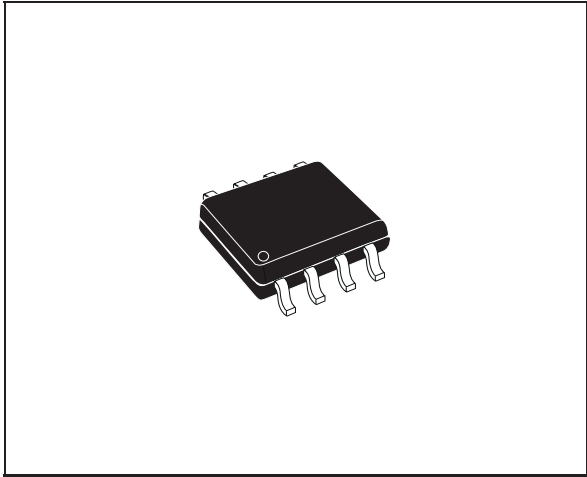
N.	Name	Description
1	POWER OUTPUT	The device is provided with short circuit protection.
4	POWER SUPPLY	Supply voltage input.
5	ENABLE INPUT	TTL compatible input. High level on this pin means output current ON. The low level voltage switches off the charge pump, the power stage and the diagnostic output reducing to the minimum value the quiescent current.
7	GROUND	This pin must be connected to ground.
8	DIAGNOSTIC FEEDBACK	The diagnostic circuit is active in input high level condition. This output detects with Typically 50µs delay at T _{amb} = 25°C the following faults: – Overvoltage condition. – Thermal shutdown. – Short circuit. The power stage current is internally limited at 1.5A. The diagnostic output is active low. The diagnostic delay time allows to avoid spurious diagnosis(i.e.: turn ON overcurrent, overvoltage spikes etc.).

ELECTRICAL CHARACTERISTICS (V_S = 14.4V, -40°C ≤ T_j ≤ +85°C, unless otherwise specified.)

Symbol	Parameter	Test Condition	Min.	Typ.	Max.	Unit
V _S	Operating Supply Voltage		6		25	V
R _{on}	On Resistance	Input > 2V, T _j = 25°C Input > 2V, Full T range		0.6	0.8 1.2	Ω Ω
I _{off}	Off State Supply Current	T _j < 35°C T _j = 85°C			130 300	µA µA
I _{on}	On State Supply Current				4	mA
V _{EL}	Enable Low Level				0.8	V
V _{EH}	Enable High Level		2			V
I _E	Enable Current	0V < V _i < 5V			10	µA
I _{leakd}	Diagnostic Output Leakage Current	V _{CC} = 5V Diagnostic Output High			10	µA
V _{satd}	Diagnostic Output Saturated Voltage	I _{sink} < 3.5mA			0.4	V
t _{dd}	Diagnostic Delay Time	T _j = 25°C		30		µs
t _{don}	Output ON Delay Time	T _j = 25°C		30		µs
t _r	Output ON Rise Time	T _j = 25°C		100		µs
t _{doff}	Output OFF Delay Time	T _j = 25°C		80		µs
t _f	Output OFF Fall Time	T _j = 25°C		100		µs
V _{don}	Overvoltage Detection ON		25			V
V _{dth}	Overvoltage Hysteresis		2		5	V
I _{don}	Overcurrent Detection ON		0.5		1.5	A
T _{don}	Overtemperature Detection ON		150			°C
T _{dth}	Overtemperature Hysteresis			25	50	°C

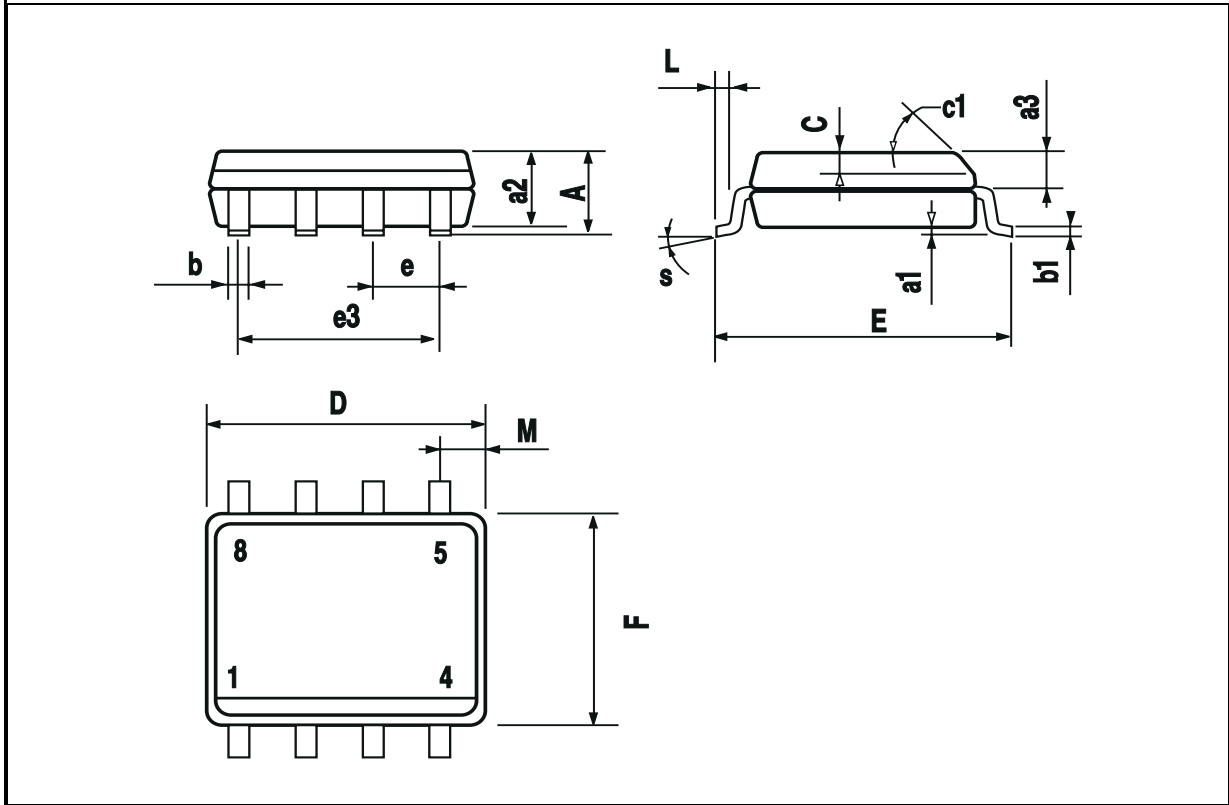
DIM.	mm			inch		
	MIN.	TYP.	MAX.	MIN.	TYP.	MAX.
A			1.75			0.069
a1	0.1		0.25	0.004		0.010
a2			1.65			0.065
a3	0.65		0.85	0.026		0.033
b	0.35		0.48	0.014		0.019
b1	0.19		0.25	0.007		0.010
C	0.25		0.5	0.010		0.020
c1	45° (typ.)					
D (1)	4.8		5.0	0.189		0.197
E	5.8		6.2	0.228		0.244
e		1.27			0.050	
e3		3.81			0.150	
F (1)	3.8		4.0	0.15		0.157
L	0.4		1.27	0.016		0.050
M			0.6			0.024
S	8° (max.)					

OUTLINE AND MECHANICAL DATA



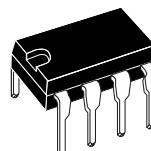
SO8

(1) D and F do not include mold flash or protrusions. Mold flash or protrusions shall not exceed 0.15mm (.006inch).

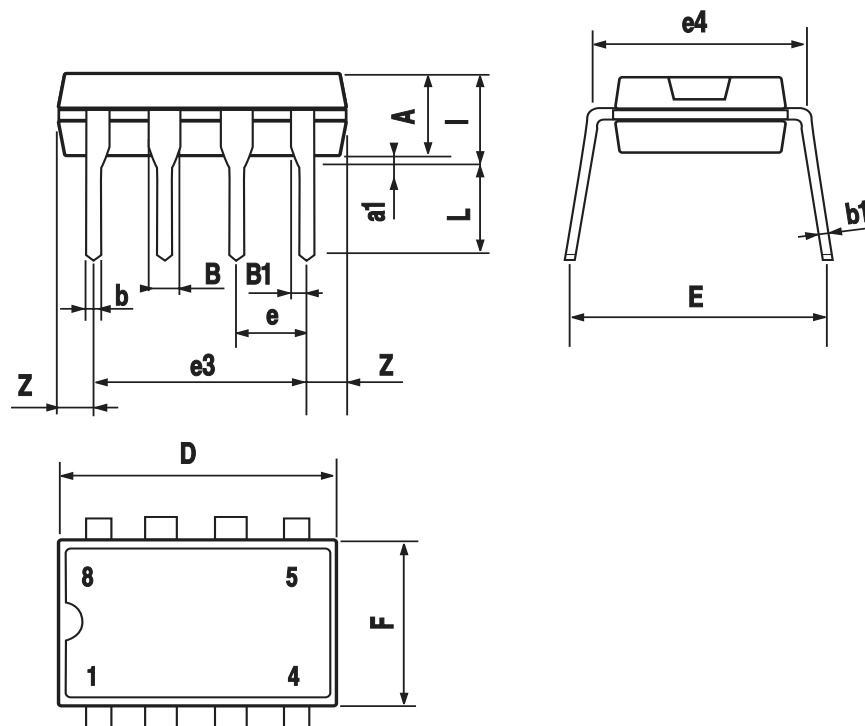


DIM.	mm			inch		
	MIN.	TYP.	MAX.	MIN.	TYP.	MAX.
A		3.32			0.131	
a1	0.51			0.020		
B	1.15		1.65	0.045		0.065
b	0.356		0.55	0.014		0.022
b1	0.204		0.304	0.008		0.012
D			10.92			0.430
E	7.95		9.75	0.313		0.384
e		2.54			0.100	
e3		7.62			0.300	
e4		7.62			0.300	
F			6.6			0.260
I			5.08			0.200
L	3.18		3.81	0.125		0.150
Z			1.52			0.060

OUTLINE AND MECHANICAL DATA



Minidip



Please Read Carefully:

Information in this document is provided solely in connection with ST products. STMicroelectronics NV and its subsidiaries ("ST") reserve the right to make changes, corrections, modifications or improvements, to this document, and the products and services described herein at any time, without notice.

All ST products are sold pursuant to ST's terms and conditions of sale.

Purchasers are solely responsible for the choice, selection and use of the ST products and services described herein, and ST assumes no liability whatsoever relating to the choice, selection or use of the ST products and services described herein.

No license, express or implied, by estoppel or otherwise, to any intellectual property rights is granted under this document. If any part of this document refers to any third party products or services it shall not be deemed a license grant by ST for the use of such third party products or services, or any intellectual property contained therein or considered as a warranty covering the use in any manner whatsoever of such third party products or services or any intellectual property contained therein.

UNLESS OTHERWISE SET FORTH IN ST'S TERMS AND CONDITIONS OF SALE ST DISCLAIMS ANY EXPRESS OR IMPLIED WARRANTY WITH RESPECT TO THE USE AND/OR SALE OF ST PRODUCTS INCLUDING WITHOUT LIMITATION IMPLIED WARRANTIES OF MERCHANTABILITY, FITNESS FOR A PARTICULAR PURPOSE (AND THEIR EQUIVALENTS UNDER THE LAWS OF ANY JURISDICTION), OR INFRINGEMENT OF ANY PATENT, COPYRIGHT OR OTHER INTELLECTUAL PROPERTY RIGHT.

ST PRODUCTS ARE NOT DESIGNED OR AUTHORIZED FOR USE IN: (A) SAFETY CRITICAL APPLICATIONS SUCH AS LIFE SUPPORTING, ACTIVE IMPLANTED DEVICES OR SYSTEMS WITH PRODUCT FUNCTIONAL SAFETY REQUIREMENTS; (B) AERONAUTIC APPLICATIONS; (C) AUTOMOTIVE APPLICATIONS OR ENVIRONMENTS, AND/OR (D) AEROSPACE APPLICATIONS OR ENVIRONMENTS. WHERE ST PRODUCTS ARE NOT DESIGNED FOR SUCH USE, THE PURCHASER SHALL USE PRODUCTS AT PURCHASER'S SOLE RISK, EVEN IF ST HAS BEEN INFORMED IN WRITING OF SUCH USAGE, UNLESS A PRODUCT IS EXPRESSLY DESIGNATED BY ST AS BEING INTENDED FOR "AUTOMOTIVE, AUTOMOTIVE SAFETY OR MEDICAL" INDUSTRY DOMAINS ACCORDING TO ST PRODUCT DESIGN SPECIFICATIONS. PRODUCTS FORMALLY ESCC, QML OR JAN QUALIFIED ARE DEEMED SUITABLE FOR USE IN AEROSPACE BY THE CORRESPONDING GOVERNMENTAL AGENCY.

Resale of ST products with provisions different from the statements and/or technical features set forth in this document shall immediately void any warranty granted by ST for the ST product or service described herein and shall not create or extend in any manner whatsoever, any liability of ST.

ST and the ST logo are trademarks or registered trademarks of ST in various countries.

Information in this document supersedes and replaces all information previously supplied.

The ST logo is a registered trademark of STMicroelectronics. All other names are the property of their respective owners.

© 2013 STMicroelectronics - All rights reserved

STMicroelectronics group of companies

Australia - Belgium - Brazil - Canada - China - Czech Republic - Finland - France - Germany - Hong Kong - India - Israel - Italy - Japan - Malaysia - Malta - Morocco - Philippines - Singapore - Spain - Sweden - Switzerland - United Kingdom - United States of America

www.st.com

Mouser Electronics

Authorized Distributor

Click to View Pricing, Inventory, Delivery & Lifecycle Information:

[STMicroelectronics:](#)

[L9820D](#) [L9820D013TR](#)