

## Dual N-channel 60 V, 9 mΩ typ., 57 A STripFET™ F7 Power MOSFET in a PowerFLAT™ 5x6 double island package

Datasheet - production data

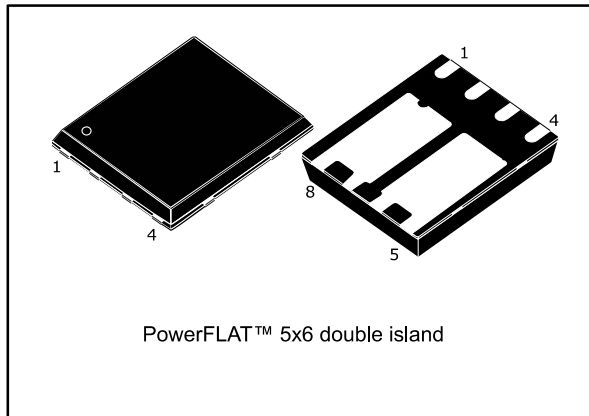
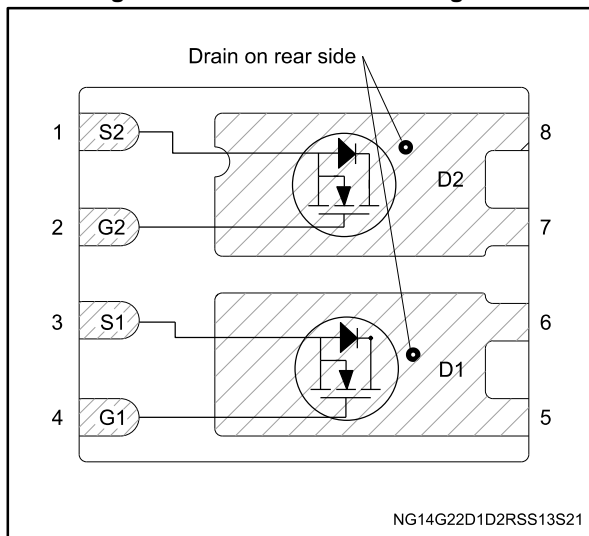


Figure 1: Internal schematic diagram



### Features

Order code	V <sub>DS</sub>	R <sub>DS(on)</sub> max.	I <sub>D</sub>
STL50DN6F7	60 V	11 mΩ	57 A

- Among the lowest R<sub>DS(on)</sub> on the market
- Excellent figure of merit (FoM)
- Low C<sub>rss</sub>/C<sub>iss</sub> ratio for EMI immunity
- High avalanche ruggedness

### Applications

- Switching applications

### Description

This dual N-channel Power MOSFET utilizes STripFET™ F7 technology with an enhanced trench gate structure that results in very low on-state resistance, while also reducing internal capacitance and gate charge for faster and more efficient switching.

Table 1: Device summary

Order code	Marking	Package	Packaging
STL50DN6F7	50DN6F7	PowerFLAT™ 5x6 double island	Tape and reel

---

## Contents

<b>1</b>	<b>Electrical ratings .....</b>	<b>3</b>
<b>2</b>	<b>Electrical characteristics .....</b>	<b>4</b>
	2.1 Electrical characteristics(curve).....	5
<b>3</b>	<b>Test circuits .....</b>	<b>7</b>
<b>4</b>	<b>Package information .....</b>	<b>8</b>
	4.1 PowerFLAT 5x6 double island type R package information.....	9
	4.2 PowerFLAT™ 5x6 packing information.....	12
<b>5</b>	<b>Revision history .....</b>	<b>14</b>

# 1 Electrical ratings

**Table 2: Absolute maximum ratings**

Symbol	Parameter	Value	Unit
$V_{DS}$	Drain-source voltage	60	V
$V_{GS}$	Gate source voltage	$\pm 20$	V
$I_D^{(1)}$	Drain current (continuous) at $T_C = 25\text{ }^\circ\text{C}$	57	A
	Drain current (continuous) at $T_C = 100\text{ }^\circ\text{C}$	41	
$I_{DM}^{(1)(2)}$	Drain current (pulsed)	228	A
$I_D^{(3)}$	Drain current (continuous) at $T_{pcb} = 25\text{ }^\circ\text{C}$	15	A
	Drain current(continuous) at $T_{pcb} = 100\text{ }^\circ\text{C}$	11	
$I_{DM}^{(2)(3)}$	Drain current (pulsed)	60	A
$P_{TOT}$	Total dissipation at $T_C = 25\text{ }^\circ\text{C}$	62.5	W
	Total dissipation at $T_{pcb} = 25\text{ }^\circ\text{C}$	4.8	
$T_J$	Operating junction temperature	-55 to 175	$^\circ\text{C}$
$T_{stg}$	Storage temperature		

**Notes:**

- (1) This value is rated according to  $R_{thj-c}$   
 (2) Pulse width limited by safe operating area.  
 (3) This value is rated according to  $R_{thj-pcb}$

**Table 3: Thermal data**

Symbol	Parameter	Value	Unit
$R_{thj-case}$	Thermal resistance junction-case	2.4	$^\circ\text{C}/\text{W}$
$R_{thj-pcb}^{(1)}$	Thermal resistance junction-pcb	31.3	$^\circ\text{C}/\text{W}$

**Notes:**

- (1) When mounted on FR-4 board of 1inc2, 2oz Cu,  $t < 10\text{ sec}$

## 2 Electrical characteristics

(T<sub>C</sub> = 25 °C unless otherwise specified)

**Table 4: On /off states**

Symbol	Parameter	Test conditions	Min.	Typ.	Max.	Unit
V <sub>(BR)DSS</sub>	Drain-source breakdown voltage	V <sub>GS</sub> = 0 V, I <sub>D</sub> = 1 mA	60			V
I <sub>DSS</sub>	Zero gate voltage drain current	V <sub>DS</sub> = 60 V, V <sub>GS</sub> = 0 V			1	μA
I <sub>GSS</sub>	Gate-body leakage current	V <sub>DS</sub> = 0 V, V <sub>GS</sub> = 20 V			100	nA
V <sub>GS(th)</sub>	Gate threshold voltage	V <sub>DS</sub> = V <sub>GS</sub> , I <sub>D</sub> = 250 μA	2		4	V
R <sub>DS(on)</sub>	Static drain-source on-resistance	V <sub>GS</sub> = 10 V, I <sub>D</sub> = 7.5 A		9	11	mΩ

**Table 5: Dynamic**

Symbol	Parameter	Test conditions	Min.	Typ.	Max.	Unit
C <sub>iss</sub>	Input capacitance	V <sub>DS</sub> = 30V, f = 1 MHz, V <sub>GS</sub> = 0 V	-	1035	-	pF
C <sub>oss</sub>	Output capacitance		-	450	-	pF
C <sub>rss</sub>	Reverse transfer capacitance		-	53	-	pF
Q <sub>g</sub>	Total gate charge	V <sub>DD</sub> = 30 V, I <sub>D</sub> = 15 A, V <sub>GS</sub> = 10 V (see <a href="#">Figure 14: "Test circuit for gate charge behavior"</a> )	-	17	-	nC
Q <sub>gs</sub>	Gate-source charge		-	5.7	-	nC
Q <sub>gd</sub>	Gate-drain charge		-	5.7	-	nC

**Table 6: Switching times**

Symbol	Parameter	Test conditions	Min.	Typ.	Max.	Unit
t <sub>d(on)</sub>	Turn-on delay time	V <sub>DD</sub> = 30V, I <sub>D</sub> = 7.5 A, R <sub>G</sub> = 4.7 Ω, V <sub>GS</sub> = 10 V (see <a href="#">Figure 13: "Test circuit for resistive load switching times"</a> )	-	14.5	-	ns
t <sub>r</sub>	Rise time		-	15.3	-	ns
t <sub>d(off)</sub>	Turn-off delay time		-	19.4	-	ns
t <sub>f</sub>	Fall time		-	8	-	ns

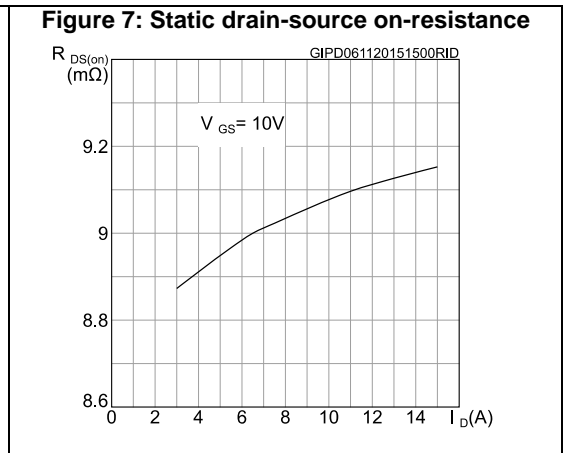
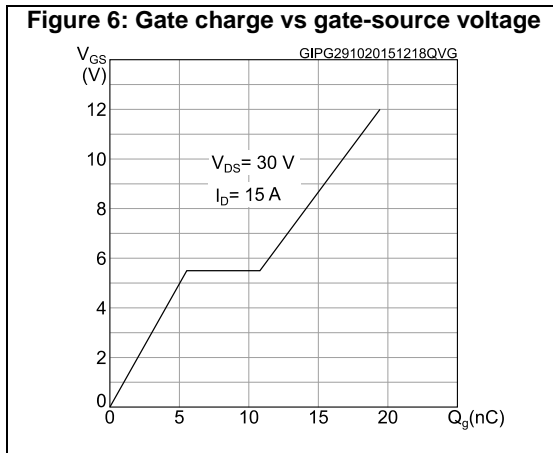
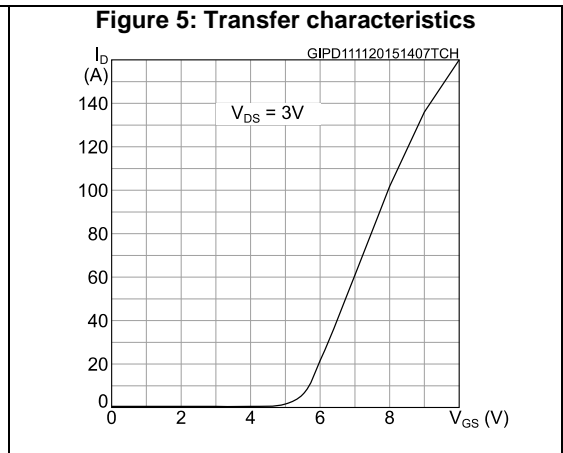
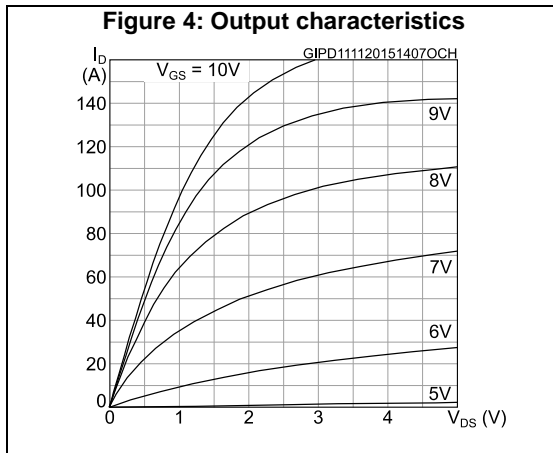
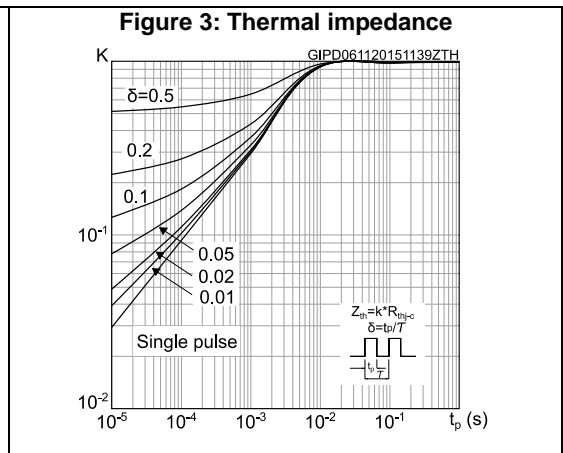
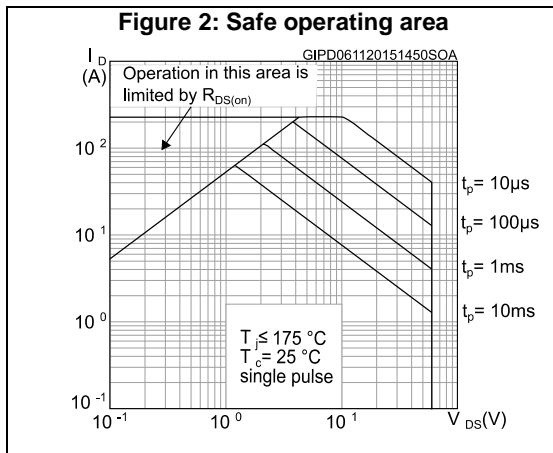
**Table 7: Source-drain diode**

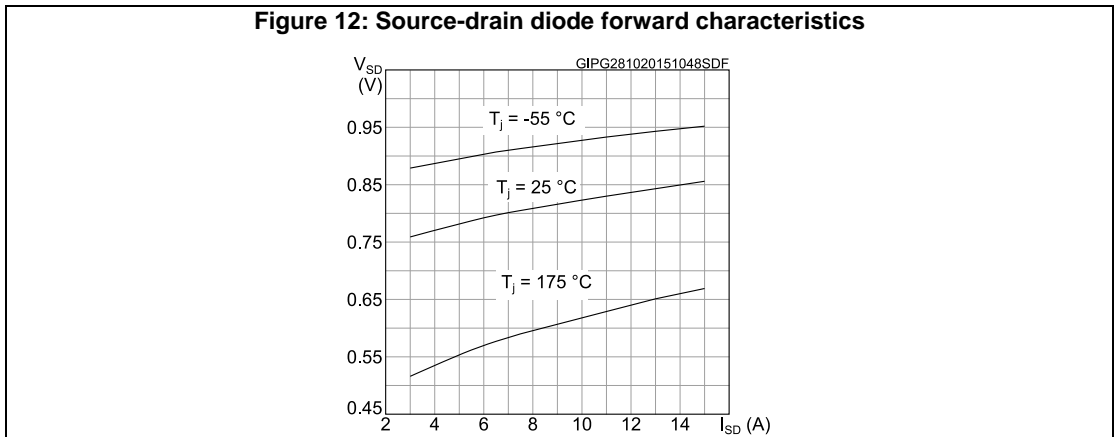
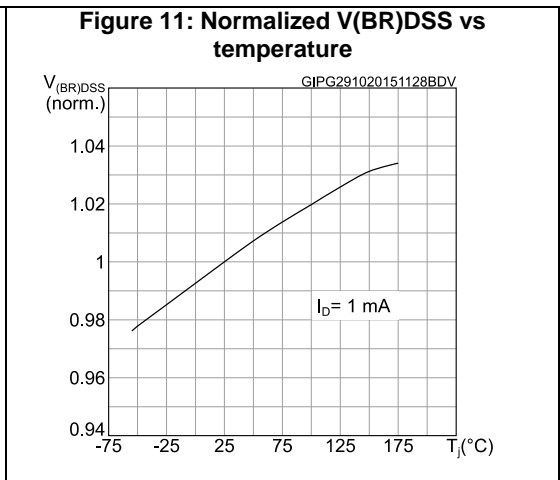
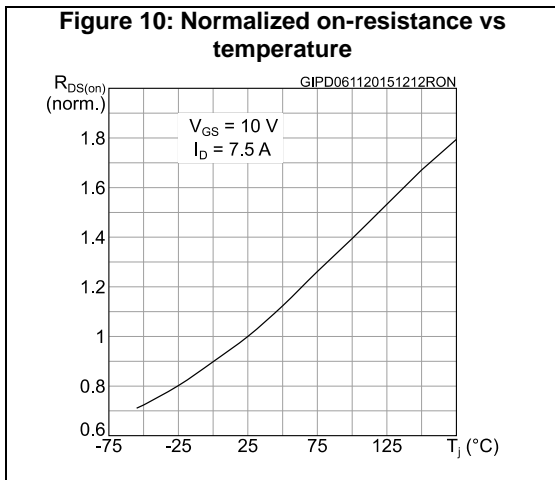
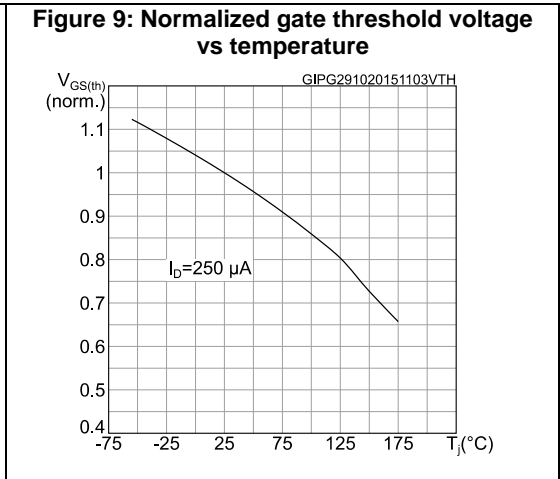
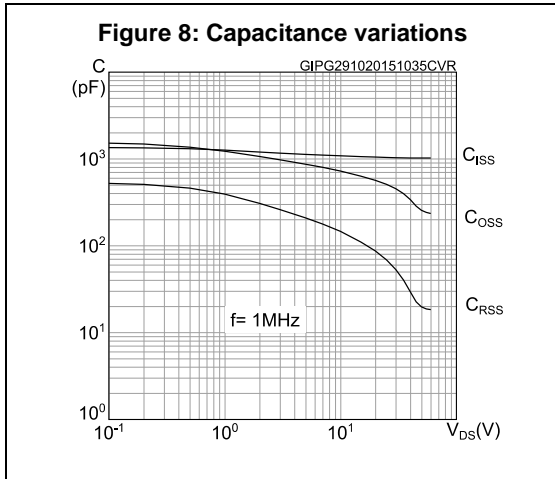
Symbol	Parameter	Test conditions	Min.	Typ.	Max.	Unit
V <sub>SD</sub> <sup>(1)</sup>	Forward on voltage	I <sub>SD</sub> = 15 A, V <sub>GS</sub> = 0 V	-		1.2	V
t <sub>rr</sub>	Reverse recovery time	I <sub>SD</sub> = 15 A, di/dt = 100 A/μs, V <sub>DD</sub> = 48 V (see <a href="#">Figure 15: "Test circuit for inductive load switching and diode recovery times"</a> )	-	26.8		ns
Q <sub>rr</sub>	Reverse recovery charge		-	14.2		nC
I <sub>RRM</sub>	Reverse recovery current		-	1.06		A

**Notes:**

<sup>(1)</sup>Pulsed: pulse duration = 300 μs, duty cycle 1.5%

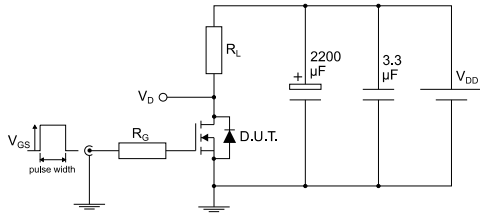
2.1 Electrical characteristics(curve)





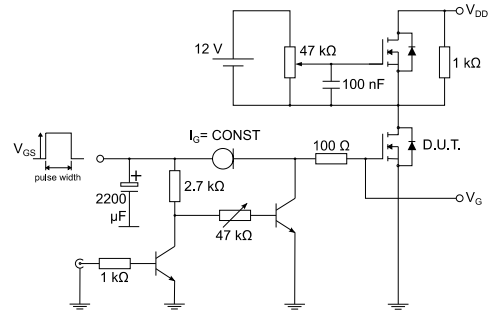
### 3 Test circuits

**Figure 13: Test circuit for resistive load switching times**



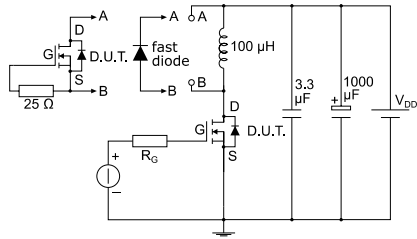
AM01468v1

**Figure 14: Test circuit for gate charge behavior**



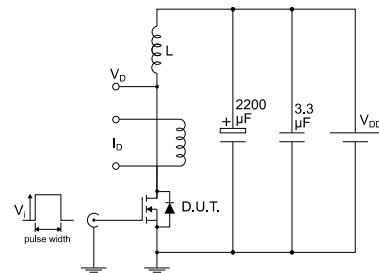
AM01469v1

**Figure 15: Test circuit for inductive load switching and diode recovery times**



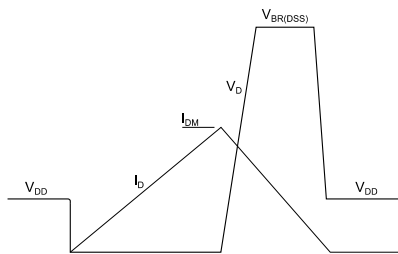
AM01470v1

**Figure 16: Unclamped inductive load test circuit**



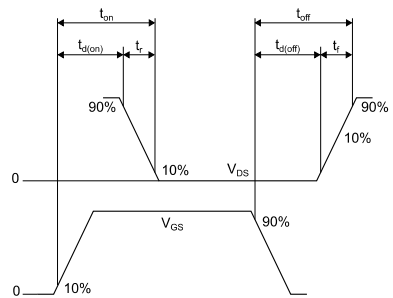
AM01471v1

**Figure 17: Unclamped inductive waveform**



AM01472v1

**Figure 18: Switching time waveform**



AM01473v1

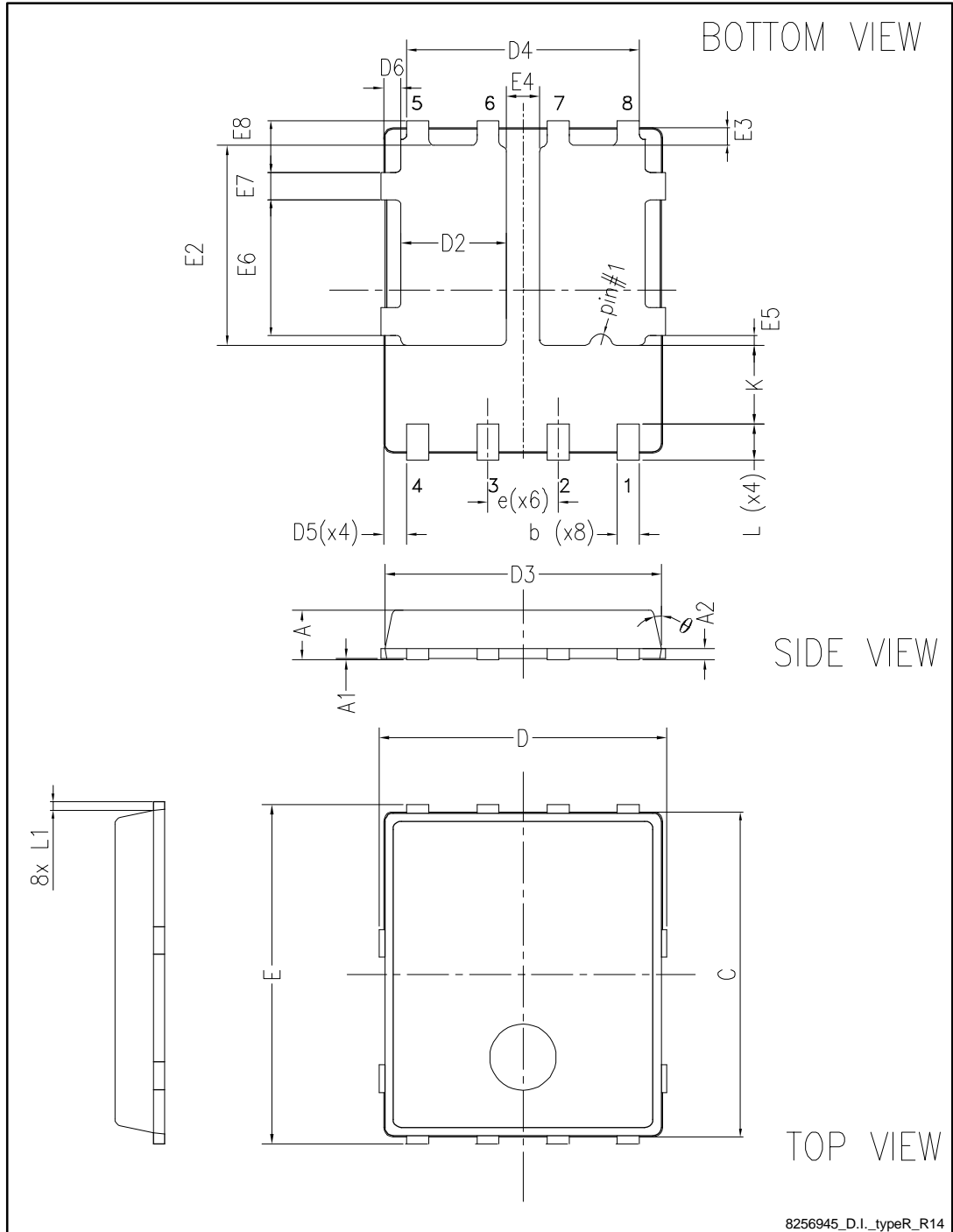
## 4 Package information

In order to meet environmental requirements, ST offers these devices in different grades of ECOPACK® packages, depending on their level of environmental compliance. ECOPACK® specifications, grade definitions and product status are available at: [www.st.com](http://www.st.com). ECOPACK® is an ST trademark.



### 4.1 PowerFLAT 5x6 double island type R package information

Figure 19: PowerFLAT™ 5x6 double island type R package outline

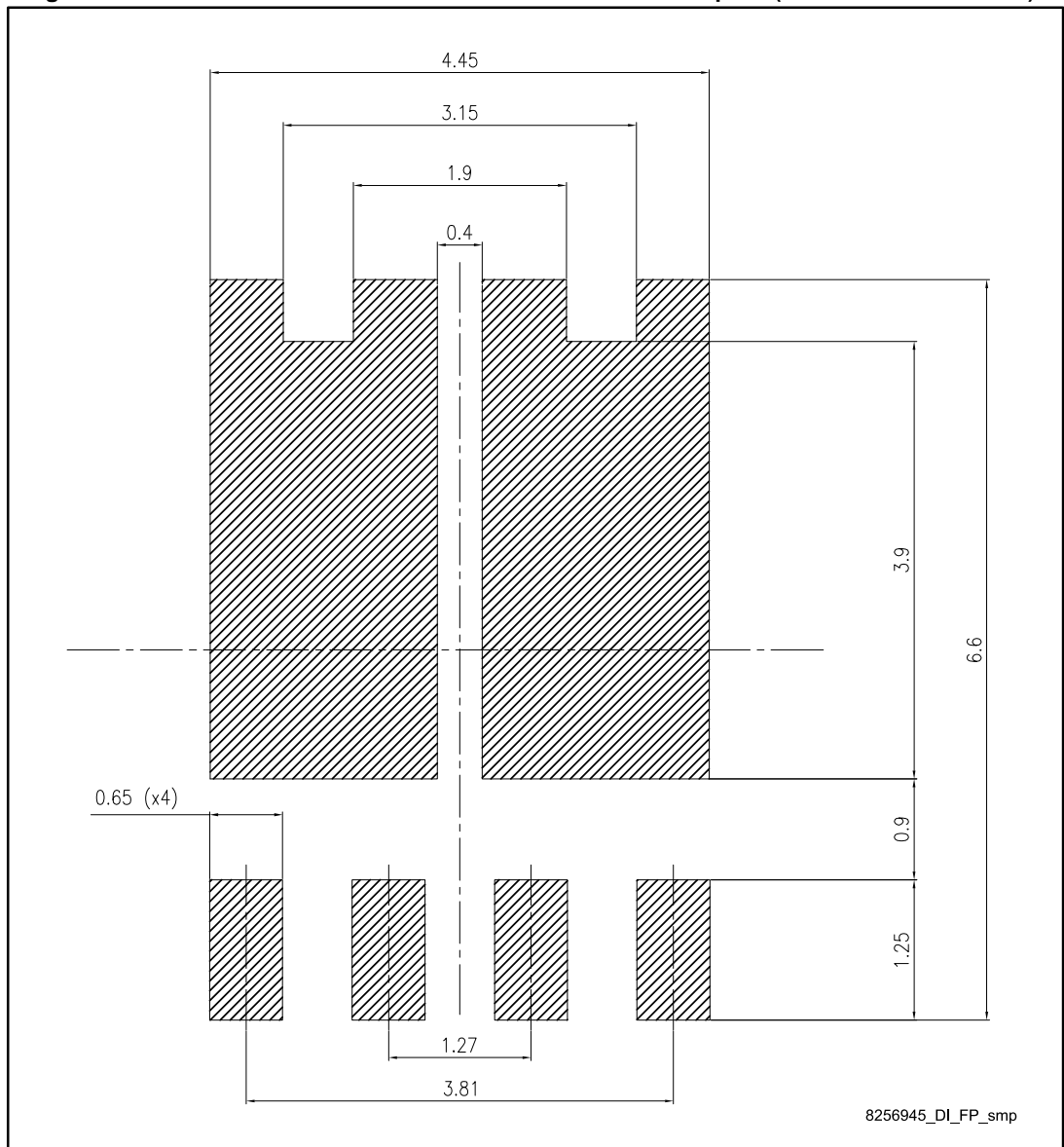


8256945\_D.I.\_typeR\_R14

Table 8: PowerFLAT™ 5x6 double island type R mechanical data

Dim.	mm		
	Min.	Typ.	Max.
A	0.80		1.00
A1	0.02		0.05
A2		0.25	
b	0.30		0.50
C	5.80	6.00	6.20
D	5.00	5.20	5.40
D2	1.68		1.88
D3	4.80	5.00	5.20
D4	4.05	4.20	4.35
D5	0.25	0.40	0.55
D6	0.15	0.30	0.45
e		1.27	
E	5.95	6.15	6.35
E2	3.50		3.70
E3	0.20	0.325	0.45
E4	0.55		0.75
E5	0.08		0.28
E6	2.35		2.55
E7	0.40		0.60
E8	0.75	0.90	1.05
L	0.60		0.80
L1	0.05	0.15	0.25
K	1.275		1.575
θ	0°		12°

Figure 20: PowerFLAT™ 5x6 double island recommended footprint (dimensions are in mm)



### 4.2 PowerFLAT™ 5x6 packing information

Figure 21: PowerFLAT™ 5x6 tape (dimensions are in mm)

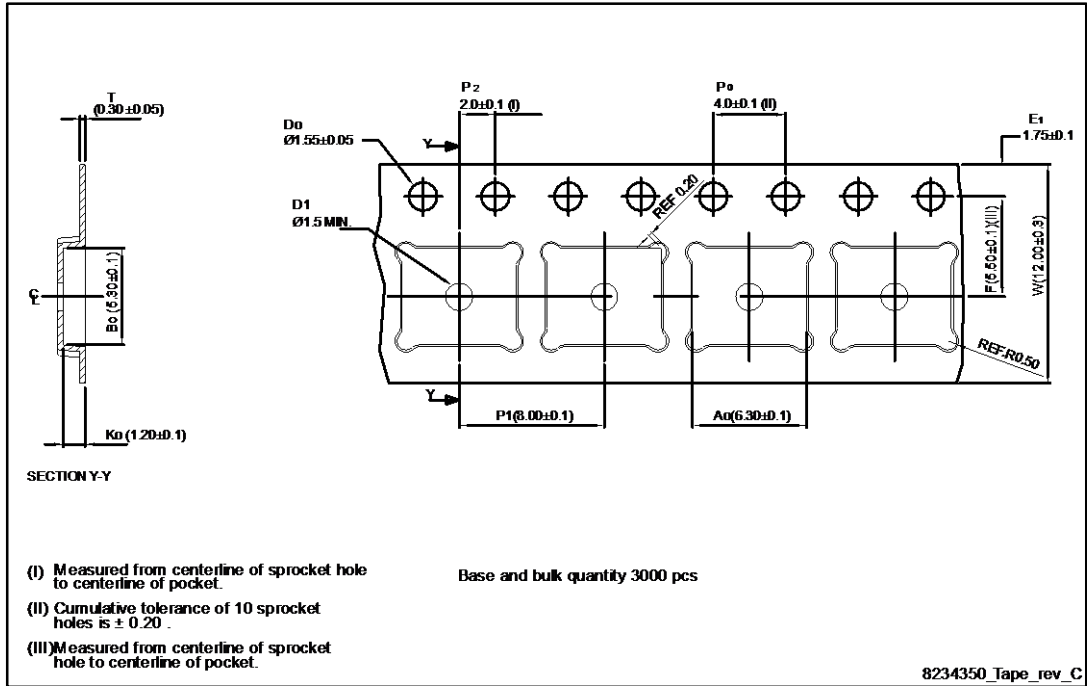


Figure 22: PowerFLAT™ 5x6 package orientation in carrier tape

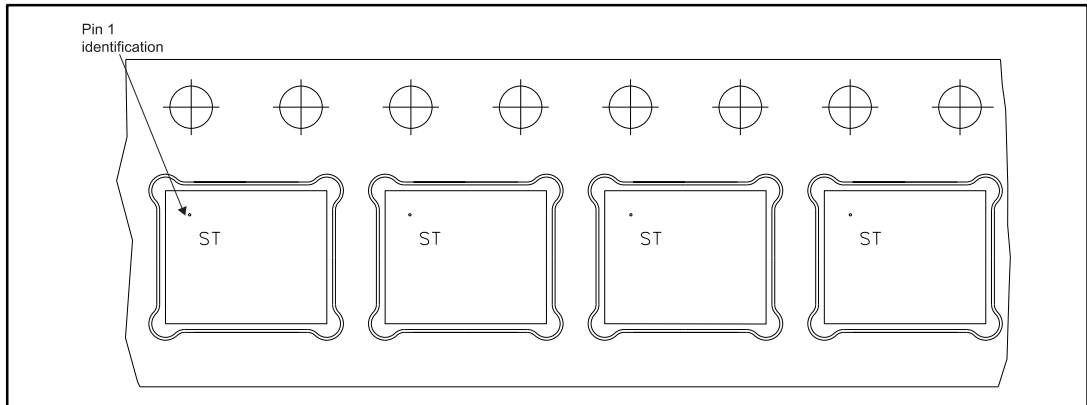
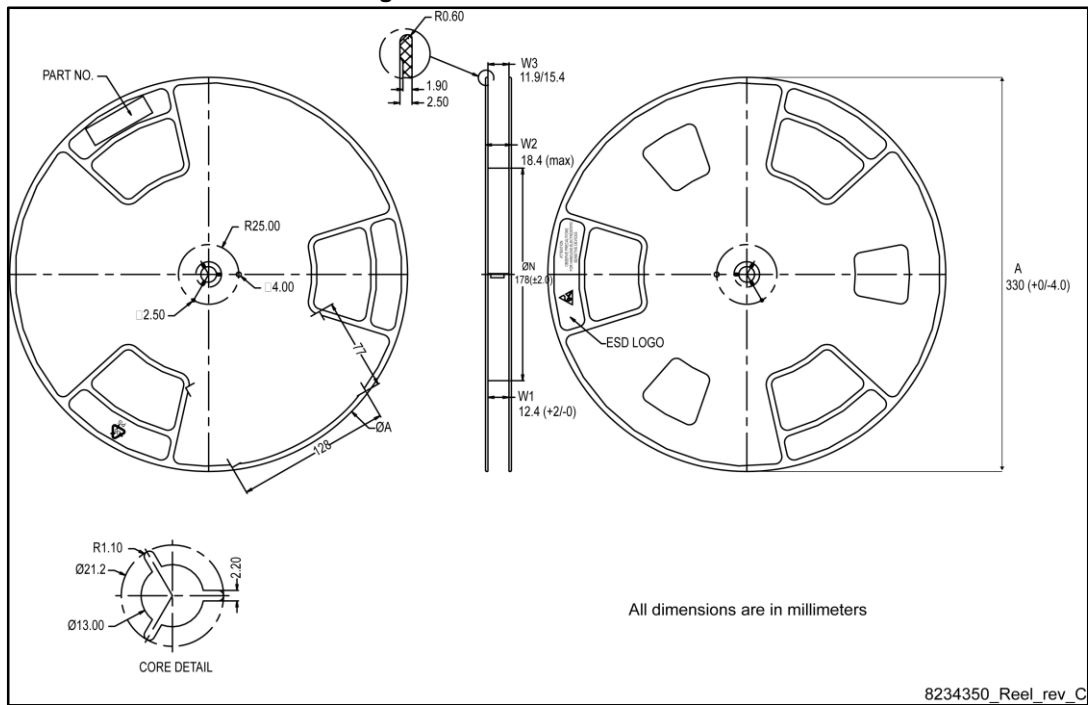


Figure 23: PowerFLAT™ 5x6 reel



## 5 Revision history

**Table 9: Document revision history**

Date	Revision	Changes
17-Jul-2015	1	First release.
13-Nov-2015	2	Document status promoted from preliminary to production data. Updated title and features in cover page. Updated <i>Table 2: "Absolute maximum ratings"</i> and <i>Section 4: "Electrical characteristics"</i> . Added <i>Section 4.1: "Electrical characteristics(curve)"</i> Minor text changes.

**IMPORTANT NOTICE – PLEASE READ CAREFULLY**

STMicroelectronics NV and its subsidiaries ("ST") reserve the right to make changes, corrections, enhancements, modifications, and improvements to ST products and/or to this document at any time without notice. Purchasers should obtain the latest relevant information on ST products before placing orders. ST products are sold pursuant to ST's terms and conditions of sale in place at the time of order acknowledgement.

Purchasers are solely responsible for the choice, selection, and use of ST products and ST assumes no liability for application assistance or the design of Purchasers' products.

No license, express or implied, to any intellectual property right is granted by ST herein.

Resale of ST products with provisions different from the information set forth herein shall void any warranty granted by ST for such product.

ST and the ST logo are trademarks of ST. All other product or service names are the property of their respective owners.

Information in this document supersedes and replaces information previously supplied in any prior versions of this document.

© 2015 STMicroelectronics – All rights reserved

# Mouser Electronics

Authorized Distributor

Click to View Pricing, Inventory, Delivery & Lifecycle Information:

[STMicroelectronics:](#)

[STL50DN6F7](#)