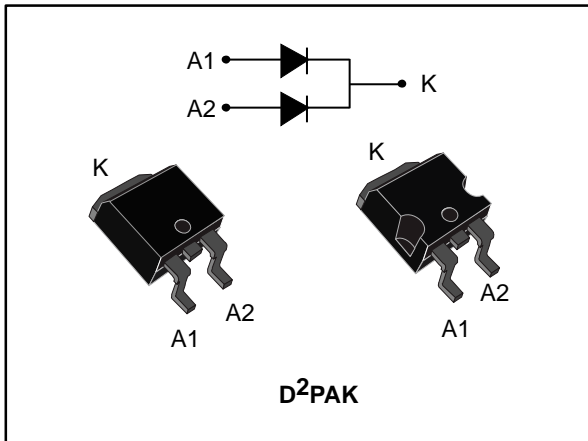


High voltage power Schottky rectifier

Datasheet - production data



Description

Dual center tap Schottky rectifier designed for high frequency miniature switch mode power supplies such as adaptors and on-board DC-DC converters.

Table 1: Device summary

Symbol	Value
$I_{F(AV)}$	2x 8 A
V_{RRM}	100 V
T_j (max)	175 °C
V_F (typ)	0.59 V

Features

- Negligible switching losses
- High junction temperature capability
- Low leakage current
- Good trade off between leakage current and forward voltage drop
- Avalanche capability specified
- ECOPACK[®]2 compliant component for D²PAK on demand

1 Characteristics

Table 2: Absolute ratings (limiting values, per diode, at 25 °C, unless otherwise specified)

Symbol	Parameter		Value	Unit
V _{RRM}	Repetitive peak reverse voltage		100	V
I _{F(RMS)}	Forward rms current		30	A
I _{F(AV)}	Average forward current $\delta = 0.5$, square wave	T _C = 165 °C Per diode	8	A
		T _C = 160 °C Per device	16	
I _{FSM}	Surge non repetitive forward current	tp = 10 ms sinusoidal	200	A
P _{ARM}	Repetitive peak avalanche power	tp = 10 μ s, T _J = 125 °C	625	W
T _{stg}	Storage temperature range		-65 to + 175	°C
T _j	Maximum operating junction temperature ⁽¹⁾		+ 175	°C

Notes:

⁽¹⁾(dP_{tot}/dT_j) < (1/R_{th(j-a)}) condition to avoid thermal runaway for a diode on its own heatsink.

Table 3: Thermal parameter

Symbol	Parameter		Value	Unit
R _{th(j-c)}	Junction to case	Per diode	1.6	°C/W
		Total	1.1	
R _{th(c)}	Coupling		0.6	°C/W

When the diodes 1 and 2 are used simultaneously :

$$\Delta T_j(\text{diode 1}) = P(\text{diode 1}) \times R_{th(j-c)}(\text{Per diode}) + P(\text{diode 2}) \times R_{th(c)}$$

Table 4: Static electrical characteristics (per diode)

Symbol	Parameter	Test conditions		Min.	Typ.	Max.	Unit
		T _j	V _R				
I _R ⁽¹⁾	Reverse leakage current	T _j = 25 °C	V _R = V _{RRM}	-		3.6	μ A
		T _j = 125 °C		-	1.6	5	mA
V _F ⁽²⁾	Forward voltage drop	T _j = 25 °C	I _F = 8 A	-		0.77	V
		T _j = 125 °C		-	0.59	0.64	
		T _j = 25 °C	I _F = 16 A	-		0.88	
		T _j = 125 °C		-	0.67	0.73	

Notes:

⁽¹⁾Pulse test: t_p = 5 ms, $\delta < 2\%$

⁽²⁾Pulse test: t_p = 380 μ s, $\delta < 2\%$

To evaluate the conduction losses use the following equation:

$$P = 0.55 \times I_{F(AV)} + 0.011 I_{F(RMS)}^2$$

1.1 Characteristics (curves)

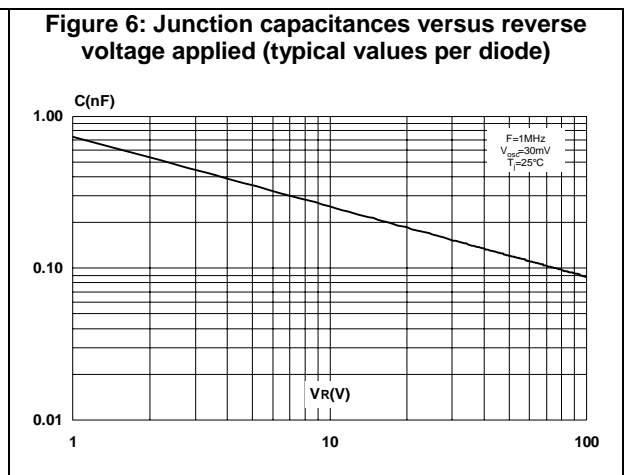
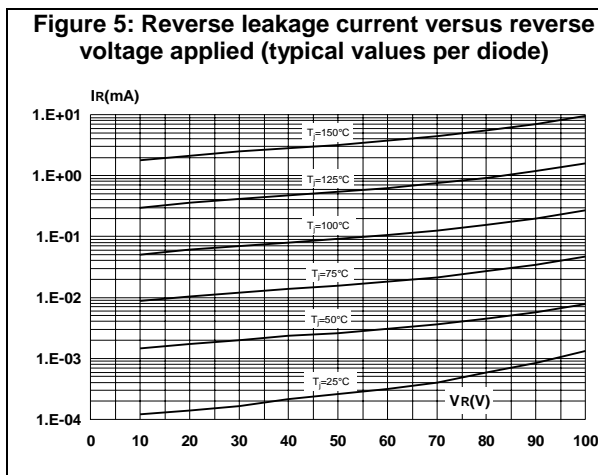
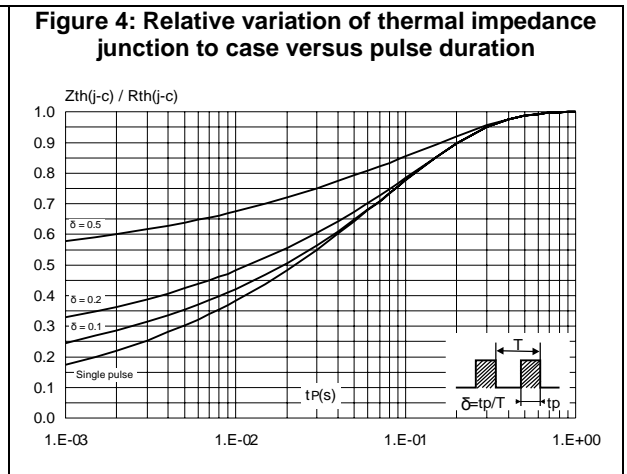
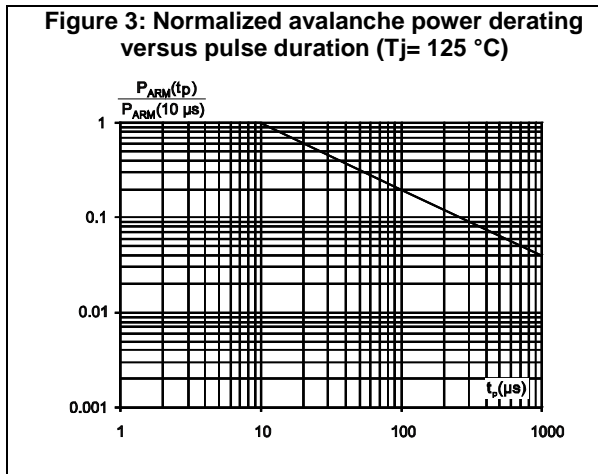
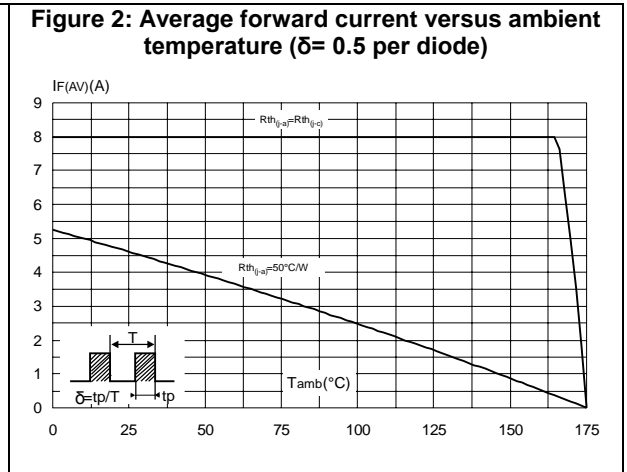
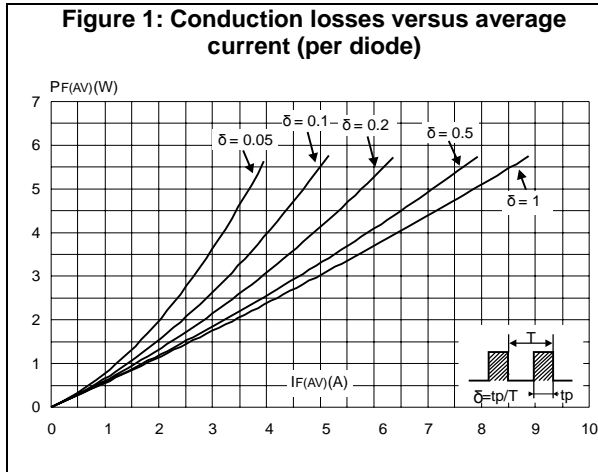


Figure 7: Forward voltage drop versus forward current (per diode)

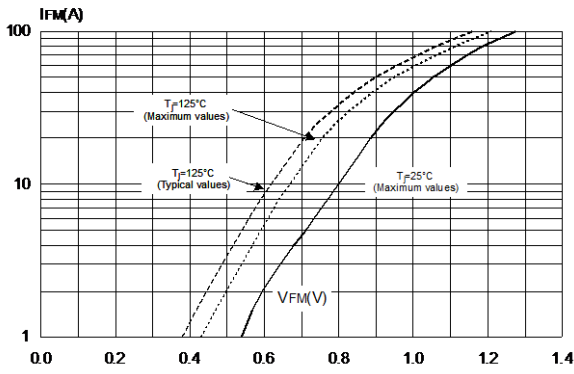
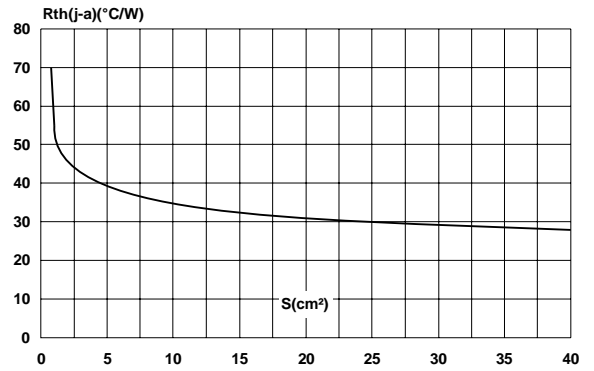


Figure 8: Thermal resistance junction to ambient versus copper surface under tab (epoxy printed board FR4, e_{cu}= 35 μm)



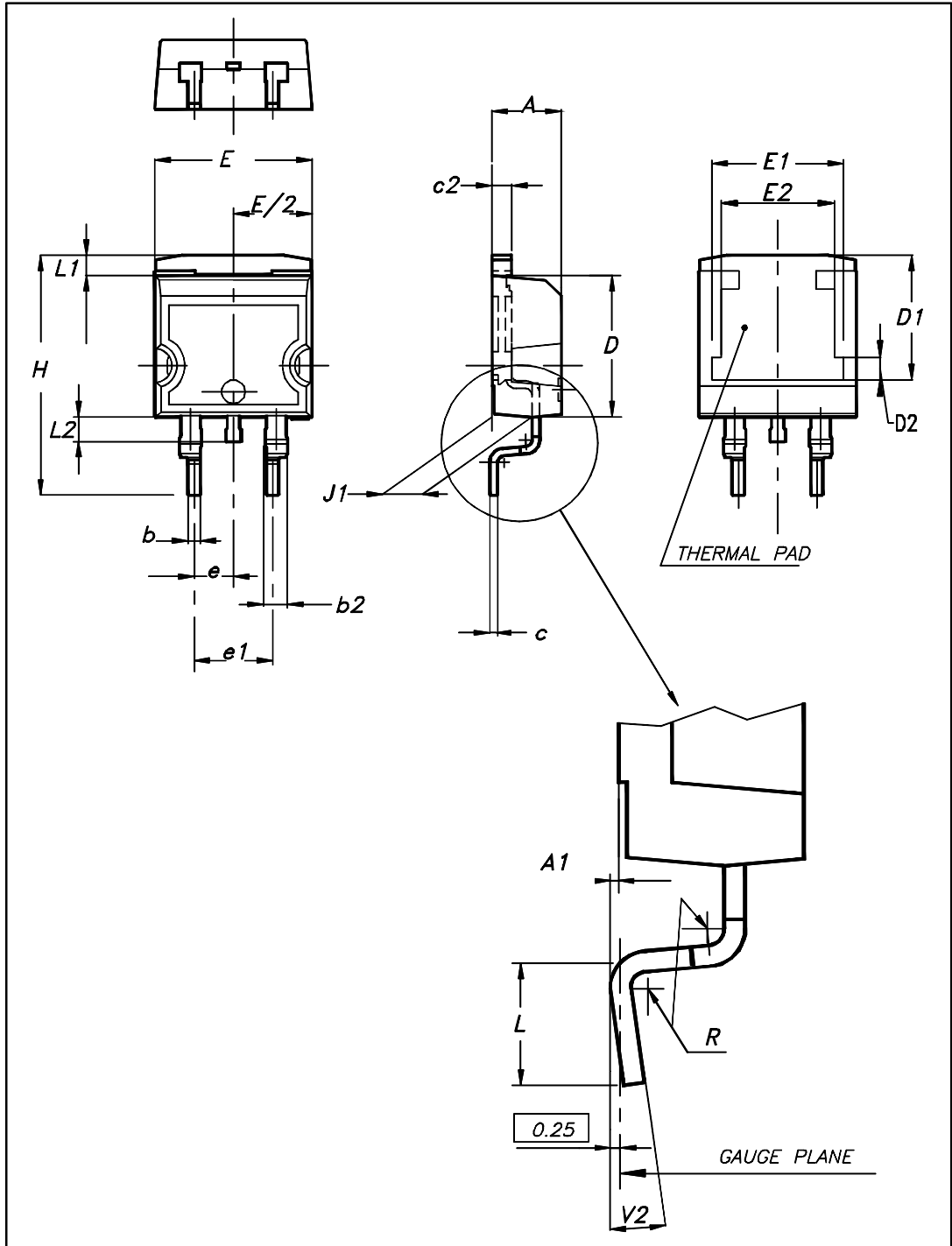
2 Package information

In order to meet environmental requirements, ST offers these devices in different grades of ECOPACK® packages, depending on their level of environmental compliance. ECOPACK® specifications, grade definitions and product status are available at: www.st.com. ECOPACK® is an ST trademark.

- Cooling method: by conduction (C)
- Epoxy meets UL 94,V0

2.1 D²PAK package information

Figure 9: D²PAK package outline

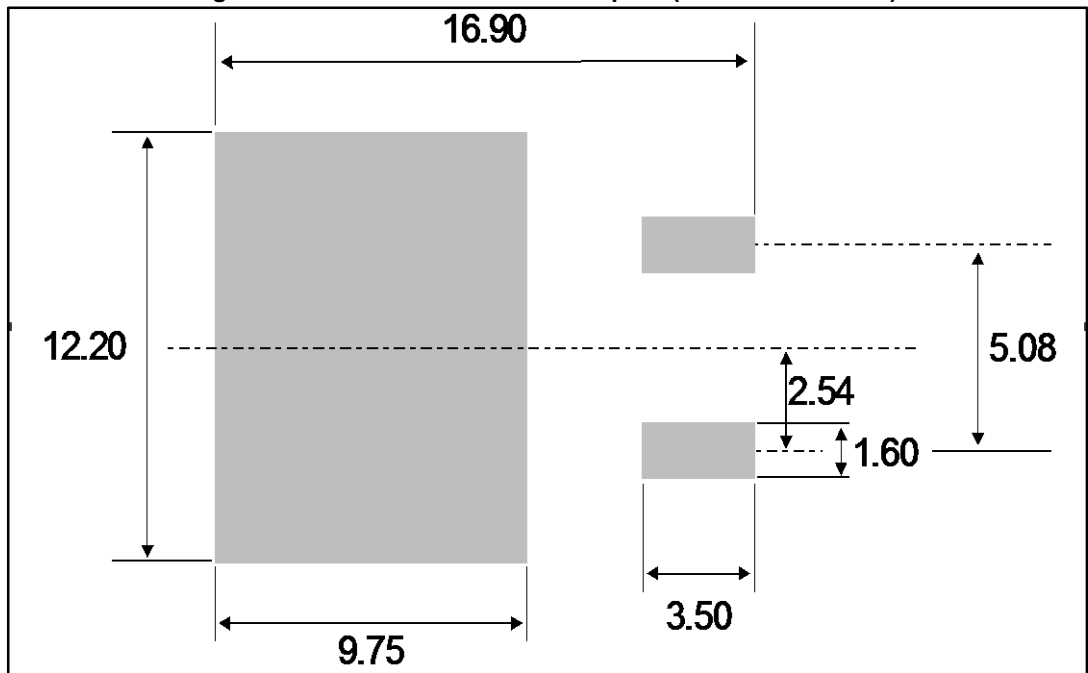


This package drawing may slightly differ from the physical package. However, all the specified dimensions are guaranteed.

Table 5: D²PAK package mechanical data

Ref.	Dimensions			
	Millimeters		Inches	
	Min.	Max.	Min.	Max.
A	4.36	4.60	0.172	0.181
A1	0.00	0.25	0.000	0.010
b	0.70	0.93	0.028	0.037
b2	1.14	1.70	0.045	0.067
c	0.38	0.69	0.015	0.027
c2	1.19	1.36	0.047	0.053
D	8.60	9.35	0.339	0.368
D1	6.90	8.00	0.272	0.311
D2	1.10	1.50	0.043	0.060
E	10.00	10.55	0.394	0.415
E1	8.10	8.90	0.319	0.346
E2	6.85	7.25	0.266	0.282
e	2.54 typ.		0.100	
e1	4.88	5.28	0.190	0.205
H	15.00	15.85	0.591	0.624
J1	2.49	2.90	0.097	0.112
L	1.90	2.79	0.075	0.110
L1	1.27	1.65	0.049	0.065
L2	1.30	1.78	0.050	0.070
R	0.4 typ.		0.015	
V2	0°	8°	-	-

Figure 10: D²PAK recommended footprint (dimensions in mm)



3 Ordering information

Table 6: Ordering information

Order code	Marking	Package	Weight	Base qty	Delivery mode
STPS16H100CG-TR	STPS16H100CG	D ² PAK	1.38g	1000	Tape and reel

4 Revision history

Table 7: Document revision history

Date	Revision	Changes
27-Jun-2012	2	
22-Apr-2015	3	Updated features in cover page. Minor text changes in Section 1: "Characteristics" . Updated Section 2: "Package information" .

IMPORTANT NOTICE – PLEASE READ CAREFULLY

STMicroelectronics NV and its subsidiaries ("ST") reserve the right to make changes, corrections, enhancements, modifications, and improvements to ST products and/or to this document at any time without notice. Purchasers should obtain the latest relevant information on ST products before placing orders. ST products are sold pursuant to ST's terms and conditions of sale in place at the time of order acknowledgement.

Purchasers are solely responsible for the choice, selection, and use of ST products and ST assumes no liability for application assistance or the design of Purchasers' products.

No license, express or implied, to any intellectual property right is granted by ST herein.

Resale of ST products with provisions different from the information set forth herein shall void any warranty granted by ST for such product.

ST and the ST logo are trademarks of ST. All other product or service names are the property of their respective owners.

Information in this document supersedes and replaces information previously supplied in any prior versions of this document.

© 2015 STMicroelectronics – All rights reserved

Mouser Electronics

Authorized Distributor

Click to View Pricing, Inventory, Delivery & Lifecycle Information:

[STMicroelectronics:](#)

[STPS16H100CG](#) [STPS16H100CG-TR](#)