



VN5010AK-E

High side driver with analog current sense for automotive applications

Features

| | | |
|--------------------------------|------------|---------------|
| Max supply voltage | V_{CC} | 41 V |
| Operating voltage range | V_{CC} | 4.5 to 36 V |
| Max on-state resistance | R_{ON} | 10 m Ω |
| Current limitation (typ) | I_{LIMH} | 65 A |
| Off-state supply current (typ) | I_S | 2 μ A |

- Main features
 - Inrush current active management by power limitation
 - Very low standby current
 - 3.0v CMOS compatible input
 - Optimized electromagnetic emission
 - Very low electromagnetic susceptibility
 - In compliance with the 2002/95/EC European directive
- Diagnostic functions
 - Proportional load current sense
 - High current sense precision for wide range currents
 - Current sense disable
 - Thermal shutdown indication
 - Very low current sense leakage
- Protections
 - Undervoltage shutdown
 - Overvoltage clamp
 - Load current limitation
 - Self limiting of fast thermal transients
 - Protection against loss of ground and loss of V_{CC}
 - Thermal shutdown



- Reverse battery protection (see [Figure 26](#))
- Electrostatic discharge protection

Application

- All types of resistive, inductive and capacitive loads

Description

The VN5010AK-E is a monolithic device made using STMicroelectronics VIPower M0-5 technology. It is intended for driving resistive or inductive loads with one side connected to ground. Active V_{CC} pin voltage clamp protects the device against low energy spikes (see ISO7637 transient compatibility table). This device integrates an analog current sense which delivers a current proportional to the load current (according to a known ratio) when CS_DIS is driven low or left open. When CS_DIS is driven high, the CURRENT SENSE pin is in a high impedance condition. Output current limitation protects the device in overload condition. In case of long overload duration, the device limits the dissipated power to safe level up to thermal shutdown intervention. Thermal shutdown with automatic restart allows the device to recover normal operation as soon as fault condition disappears.

Table 1. Device summary

| Package | Order codes | |
|---------------------------|-------------|---------------|
| | Tube | Tape and reel |
| PowerSSO-24 TM | VN5010AK-E | VN5010AKTR-E |

Contents

- 1 Block diagram and pin description 5**
- 2 Electrical specifications 7**
 - 2.1 Absolute maximum ratings 7
 - 2.2 Electrical characteristics 8
 - 2.3 Electrical characteristics curves 18
- 3 Application information 21**
 - 3.1 GND protection network against reverse battery 21
 - 3.1.1 Solution 1: resistor in the ground line (RGND only) 21
 - 3.1.2 Solution 2: diode (DGND) in the ground line 22
 - 3.2 Load dump protection 22
 - 3.3 Microcontroller I/Os protection 22
 - 3.4 Maximum demagnetization energy ($V_{CC}=13.5V$) 23
- 4 Package and PCB thermal data 24**
 - 4.1 PowerSSO-24TM thermal data 24
- 5 Package and packing information 27**
 - 5.1 ECOPACK[®] packages 27
 - 5.2 Packing information 29
- 6 Revision history 30**

List of tables

| | | |
|-----------|---|----|
| Table 1. | Device summary | 1 |
| Table 2. | Pin function | 5 |
| Table 3. | Suggested connections for unused and not connected pins | 6 |
| Table 4. | Absolute maximum ratings | 7 |
| Table 5. | Thermal data | 8 |
| Table 6. | Power section | 8 |
| Table 7. | Switching (VCC=13V) | 9 |
| Table 8. | Logic input | 9 |
| Table 9. | Protections and diagnostics | 10 |
| Table 10. | Current sense (8V<VCC<16V) | 10 |
| Table 11. | Truth table. | 14 |
| Table 12. | Electrical transient requirements (part 1/3) | 15 |
| Table 13. | Electrical transient requirements (part 2/3) | 15 |
| Table 14. | Electrical transient requirements (part 3/3) | 16 |
| Table 15. | Thermal parameters | 26 |
| Table 16. | PowerSSO-24™ mechanical data | 28 |
| Table 17. | Document revision history | 30 |

List of figures

| | | |
|------------|---|----|
| Figure 1. | Block diagram | 5 |
| Figure 2. | Connection diagram (top view) | 6 |
| Figure 3. | Current and voltage conventions | 7 |
| Figure 4. | Current sense delay characteristics | 12 |
| Figure 5. | Delay response time between rising edge of output current and rising edge of Current Sense (CS enabled)12 | |
| Figure 6. | IOUT/ISENSE vs IOUT (see Table 10 for details) | 13 |
| Figure 7. | Maximum current sense ratio drift vs load current | 13 |
| Figure 8. | Switching characteristics | 14 |
| Figure 9. | Output voltage drop limitation | 15 |
| Figure 10. | Waveforms | 17 |
| Figure 11. | Off-state output current | 18 |
| Figure 12. | High level input current | 18 |
| Figure 13. | Input clamp voltage | 18 |
| Figure 14. | Input low level | 18 |
| Figure 15. | Input high level | 18 |
| Figure 16. | Input hysteresis voltage | 18 |
| Figure 17. | On-state resistance vs T_{case} | 19 |
| Figure 18. | On-state resistance vs V_{CC} | 19 |
| Figure 19. | Undervoltage shutdown | 19 |
| Figure 20. | Turn-on voltage slope | 19 |
| Figure 21. | I_{LIMH} vs T_{case} | 19 |
| Figure 22. | Turn-off voltage slope | 19 |
| Figure 23. | CS_DIS high level voltage | 20 |
| Figure 24. | CS_DIS clamp voltage | 20 |
| Figure 25. | CS_DIS low level voltage | 20 |
| Figure 26. | Application schematic | 21 |
| Figure 27. | Maximum turn-off current versus load inductance | 23 |
| Figure 28. | PowerSSO-24 TM PC board | 24 |
| Figure 29. | $R_{thj-amb}$ vs PCB copper area in open box free air condition | 24 |
| Figure 30. | PowerSSO-24 TM thermal impedance junction ambient single pulse | 25 |
| Figure 31. | Thermal fitting model of a double channel HSD in PowerSSO-24 TM | 25 |
| Figure 32. | PowerSSO-24 TM package dimensions | 27 |
| Figure 33. | PowerSSO-24 TM tube shipment (no suffix) | 29 |
| Figure 34. | PowerSSO-24 TM tape and reel shipment (suffix "TR") | 29 |

1 Block diagram and pin description

Figure 1. Block diagram

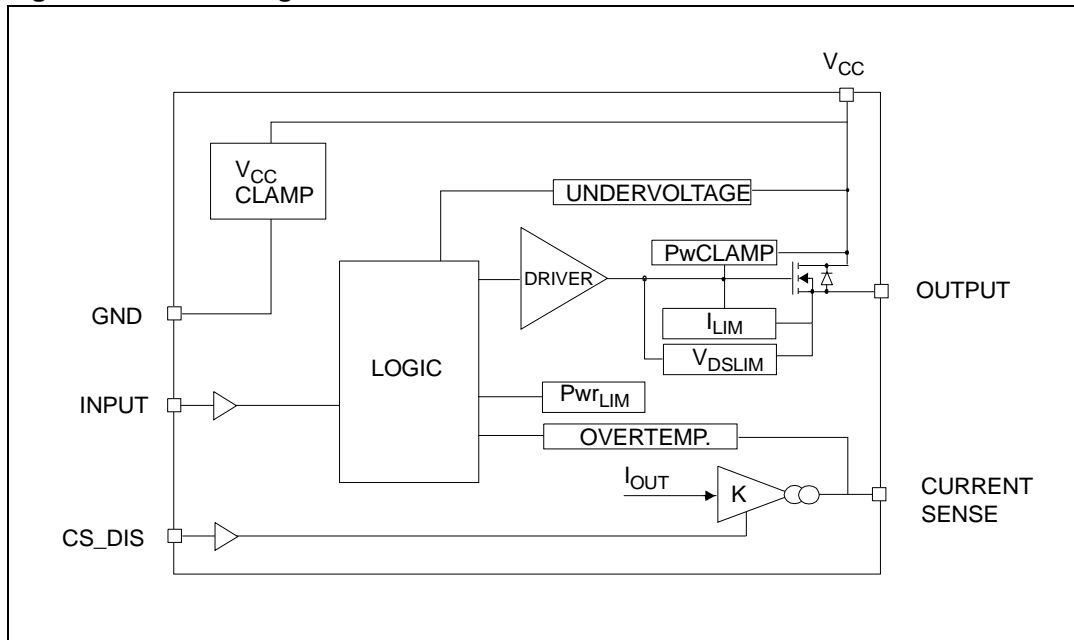


Table 2. Pin function

| Name | Function |
|-----------------|--|
| V _{CC} | Battery connection. |
| OUTPUT | Power output. |
| GND | Ground connection. Must be reverse battery protected by an external diode/resistor network. |
| INPUT | Voltage controlled input pin with hysteresis, CMOS compatible. Controls output switch state. |
| CURRENT SENSE | Analog current sense pin, delivers a current proportional to the load current. |
| CS_DIS | Active high CMOS compatible pin, to disable the current sense pin. |

Figure 2. Connection diagram (top view)

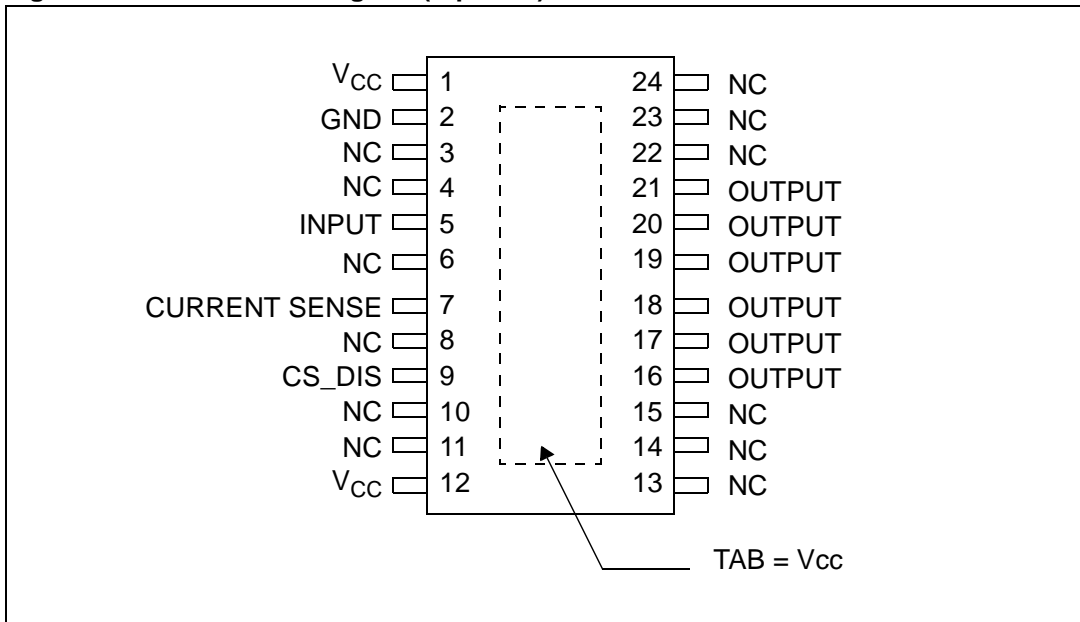


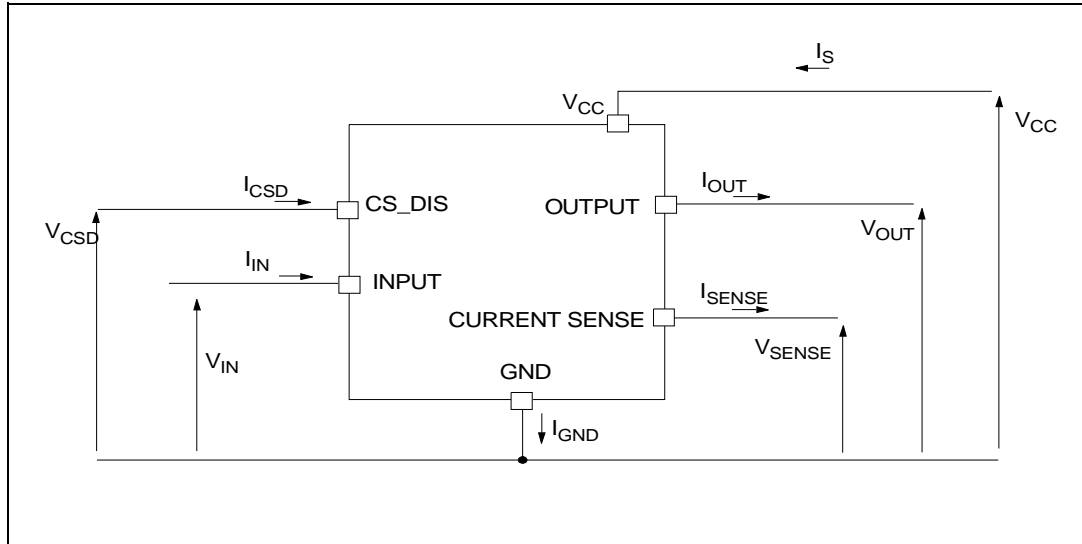
Table 3. Suggested connections for unused and not connected pins

| Connection/pin | Current sense | N.C. | Output | Input | CS_DIS |
|----------------|-----------------------|------|--------|------------------------|------------------------|
| Floating | N.R. ⁽¹⁾ | X | X | X | X |
| To ground | Through 1 kΩ resistor | X | N.R. | Through 10 kΩ resistor | Through 10 kΩ resistor |

1. Not recommended.

2 Electrical specifications

Figure 3. Current and voltage conventions



Note: $V_{Fn} = V_{OUT} - V_{CC}$ during reverse battery condition.

2.1 Absolute maximum ratings

Stressing the device above the ratings listed in the “Absolute maximum ratings” tables may cause permanent damage to the device. These are stress ratings only and operation of the device at these or any other conditions above those indicated in the Operating sections of this specification is not implied. Exposure to the conditions in this section for extended periods may affect device reliability. Refer also to the STMicroelectronics SURE Program and other relevant quality documents.

Table 4. Absolute maximum ratings

| Symbol | Parameter | Value | Unit |
|-----------------------|--|--------------------|------|
| V _{CC} | DC supply voltage | 41 | V |
| -V _{CC} | Reverse DC supply voltage | 0.3 | V |
| -I _{GND} | DC reverse ground pin current | 200 | mA |
| I _{OUT} | DC output current | Internally limited | A |
| -I _{OUT} | Reverse DC output current | 30 | A |
| I _{IN} | DC input current | -1 to 10 | mA |
| I _{CS_D} | DC current sense disable input current | -1 to 10 | mA |
| -I _{CSSENSE} | DC reverse CS pin current | 200 | mA |

Table 4. Absolute maximum ratings (continued)

| Symbol | Parameter | Value | Unit |
|----------------------|---|---------------------|------|
| V _{CSSENSE} | Current sense maximum voltage | V _{CC} -41 | V |
| | | +V _{CC} | V |
| E _{MAX} | Maximum switching energy (single pulse) (L=1.25mH; R _L =0Ω; V _{bat} =13.5V; T _{jstart} =150°C; I _{OUT} = I _{limL} (typ.)) | 609 | mJ |
| V _{ESD} | Electrostatic discharge (Human Body Model: R=1.5KΩ; C=100pF) | 4000 | V |
| | – Input | 2000 | |
| | – Current Sense | 4000 | |
| | – CS_DIS | 5000 | |
| | – Output | 5000 | |
| V _{ESD} | Charge device model (CDM-AEC-Q100-011) | 750 | V |
| T _j | Junction operating temperature | -40 to 150 | °C |
| T _{stg} | Storage temperature | -55 to 150 | °C |

Table 5. Thermal data

| Symbol | Parameter | Max value | Unit |
|-----------------------|---|-------------------------------|------|
| R _{thj-case} | Thermal resistance junction case (max) | 0.3 | °C/W |
| R _{thj-amb} | Thermal resistance junction ambient (max) | See Figure 29 | °C/W |

2.2 Electrical characteristics

Values specified in this section are for 8 V < V_{CC} < 36 V; -40 °C < T_j < 150 °C, unless otherwise stated (for each channel).

Table 6. Power section

| Symbol | Parameter | Test conditions | Min. | Typ. | Max. | Unit |
|----------------------|----------------------------------|---|------|------------------|------------------|------|
| V _{CC} | Operating supply voltage | | 4.5 | 13 | 36 | V |
| V _{USD} | Undervoltage shutdown | | | 3.5 | 4.5 | V |
| V _{USDhyst} | Undervoltage shutdown hysteresis | | | 0.5 | | V |
| R _{ON} | On-state resistance | I _{OUT} = 6A; T _j = 25°C | | | 10 | mΩ |
| | | I _{OUT} = 6A; T _j = 150°C | | | 20 | mΩ |
| | | I _{OUT} =6A; V _{CC} =5V; T _j =25°C | | | 13 | mΩ |
| V _{clamp} | Clamp voltage | I _{CC} = 20 mA | 41 | 46 | 52 | V |
| I _S | Supply current | Off-state; V _{CC} = 13V; T _j = 25°C; V _{IN} =V _{OUT} =V _{SENSE} =V _{CSD} =0V | | 2 ⁽¹⁾ | 5 ⁽¹⁾ | μA |
| | | On-state; V _{CC} =13V; V _{IN} =5V; I _{OUT} =0A | | 1.5 | 3 | mA |

Table 6. Power section (continued)

| Symbol | Parameter | Test conditions | Min. | Typ. | Max. | Unit |
|--------------|---------------------------------|---|--------|------|--------|---------|
| $I_{L(off)}$ | Off-state output current | $V_{IN}=V_{OUT}=0V$; $V_{CC}=13V$; $T_j=25^\circ C$ $V_{IN}=V_{OUT}=0V$; $V_{CC}=13V$; $T_j=125^\circ C$ | 0 0 | 0.01 | 3 5 | μA |
| V_F | Output - V_{CC} diode voltage | $-I_{OUT}=10A$; $T_j=150^\circ C$ | | | 0.7 | V |

1. PowerMOS leakage included.

Table 7. Switching ($V_{CC}=13V$)

| Symbol | Parameter | Test conditions | Min. | Typ. | Max. | Unit |
|-----------------------|---|---|------|-------------------------------|------|------------|
| $t_{d(on)}$ | Turn-on delay time | $R_L=2.6\Omega$ (see Figure 8) | - | 35 | - | μs |
| $t_{d(off)}$ | Turn-off delay time | $R_L=2.6\Omega$ (see Figure 8) | - | 65 | - | μs |
| $(dV_{OUT}/dt)_{on}$ | Turn-on voltage slope | $R_L=2.6\Omega$ | - | See Figure 20 | - | V/ μs |
| $(dV_{OUT}/dt)_{off}$ | Turn-off voltage slope | $R_L=2.6\Omega$ | - | See Figure 22 | - | V/ μs |
| W_{ON} | Switching energy losses during t_{won} | $R_L=2.6\Omega$ (see Figure 8) | - | 1.5 | - | mJ |
| W_{OFF} | Switching energy losses during t_{woff} | $R_L=2.6\Omega$ (see Figure 8) | - | 0.8 | - | mJ |

Table 8. Logic input

| Symbol | Parameter | Test conditions | Min. | Typ. | Max. | Unit |
|-----------------|---------------------------|---------------------------------|------|------|------|---------|
| V_{IL} | Input low level voltage | | | | 0.9 | V |
| I_{IL} | Low level input current | $V_{IN}=0.9V$ | 1 | | | μA |
| V_{IH} | Input high level voltage | | 2.1 | | | V |
| I_{IH} | High level input current | $V_{IN}=2.1V$ | | | 10 | μA |
| $V_{I(hyst)}$ | Input hysteresis voltage | | 0.25 | | | V |
| V_{ICL} | Input clamp voltage | $I_{IN}=1mA$ $I_{IN}=-1mA$ | 5.5 | -0.7 | 7 | V V |
| V_{CSDL} | CS_DIS low level voltage | | | | 0.9 | V |
| I_{CSDL} | Low level CS_DIS current | $V_{CSD}=0.9V$ | 1 | | | μA |
| V_{CSDH} | CS_DIS high level voltage | | 2.1 | | | V |
| I_{CSDH} | High level CS_DIS current | $V_{CSD}=2.1V$ | | | 10 | μA |
| $V_{CSD(hyst)}$ | CS_DIS hysteresis voltage | | 0.25 | | | V |
| V_{CSCL} | CS_DIS clamp voltage | $I_{CSD}=1mA$ $I_{CSD}=-1mA$ | 5.5 | -0.7 | 7 | V V |

Table 9. Protections and diagnostics⁽¹⁾

| Symbol | Parameter | Test conditions | Min. | Typ. | Max. | Unit |
|-------------|--|---|-----------------|-----------------|-----------------|--------|
| I_{limH} | Short circuit current | $V_{CC}=13V$ $5V < V_{CC} < 36V$ | 46 | 65 | 91 91 | A A |
| I_{limL} | Short circuit current during thermal cycling | $V_{CC}=13V$; $T_R < T_j < T_{TSD}$ | | 24 | | A |
| T_{TSD} | Shutdown temperature | | 150 | 175 | 200 | °C |
| T_R | Reset temperature | | $T_{RS}+1$ | $T_{RS}+5$ | | °C |
| T_{RS} | Thermal reset of STATUS | | 135 | | | °C |
| T_{HYST} | Thermal hysteresis ($T_{TSD}-T_R$) | | | 7 | | °C |
| V_{DEMAG} | Turn-off output voltage clamp | $I_{OUT}=2A$; $V_{IN}=0$; $L=6mH$ | V_{CC} -41 | V_{CC} -46 | V_{CC} -52 | V |
| V_{ON} | Output voltage drop limitation | $I_{OUT}=0.5A$ (see Figure 9); $T_j = -40^{\circ}C \dots +150^{\circ}C$ | | 25 | | mV |

1. To ensure long term reliability under heavy overload or short circuit conditions, protection and related diagnostic signals must be used together with a proper software strategy. If the device is subjected to abnormal conditions, this software must limit the duration and number of activation cycles.

Table 10. Current sense (8V < V_{CC} < 16V)

| Symbol | Parameter | Test conditions | Min. | Typ. | Max. | Unit |
|------------------|---------------------------|---|--------------|------|--------------|------|
| K_0 | I_{OUT}/I_{SENSE} | $I_{OUT}=0.25A$; $V_{SENSE}=0.5V$; $V_{CSD}=0V$; $T_j = -40^{\circ}C \dots 150^{\circ}C$ | 2770 | 5490 | 8220 | |
| K_1 | I_{OUT}/I_{SENSE} | $I_{OUT}=6A$; $V_{SENSE}=0.5V$; $V_{CSD}=0V$; $T_j = -40^{\circ}C \dots 150^{\circ}C$ $I_{OUT}=6A$; $V_{SENSE}=0.5V$; $V_{CSD}=0V$; $T_j = 25^{\circ}C \dots 150^{\circ}C$ | 3610 3930 | 4580 | 5630 5230 | |
| $dK_1/K_1^{(1)}$ | Current sense ratio drift | $I_{OUT}=6A$; $V_{SENSE}=0.5V$; $V_{CSD}=0V$; $T_j = -40^{\circ}C$ to $150^{\circ}C$ | -8 | | +8 | % |
| K_2 | I_{OUT}/I_{SENSE} | $I_{OUT}=10A$; $V_{SENSE}=4V$; $V_{CSD}=0V$; $T_j = -40^{\circ}C \dots 150^{\circ}C$ $I_{OUT}=10A$; $V_{SENSE}=4V$; $V_{CSD}=0V$; $T_j = 25^{\circ}C \dots 150^{\circ}C$ | 4000 4180 | 4570 | 5220 4960 | |
| $dK_2/K_2^{(1)}$ | Current sense ratio drift | $I_{OUT}=10A$; $V_{SENSE}=4V$; $V_{CSD}=0V$; $T_j = -40^{\circ}C$ to $150^{\circ}C$ | -5 | | +5 | % |
| K_3 | I_{OUT}/I_{SENSE} | $I_{OUT}=25A$; $V_{SENSE}=4V$; $V_{CSD}=0V$; $T_j = -40^{\circ}C \dots 150^{\circ}C$ $I_{OUT}=25A$; $V_{SENSE}=4V$; $V_{CSD}=0V$; $T_j = 25^{\circ}C \dots 150^{\circ}C$ | 4480 4500 | 4660 | 4980 4820 | |

Table 10. Current sense ($8V < V_{CC} < 16V$) (continued)

| Symbol | Parameter | Test conditions | Min. | Typ. | Max. | Unit |
|-----------------------|--|---|------|------|------|---------|
| $dK_3/K_3^{(1)}$ | Current sense ratio drift | $I_{OUT} = 25A; V_{SENSE} = 4V;$ $V_{CSD} = 0V;$ $T_J = -40^\circ C \text{ to } 150^\circ C$ | -3 | | +3 | % |
| I_{SENSE0} | Analog sense leakage current | $I_{OUT} = 0A; V_{SENSE} = 0V;$ $V_{CSD} = 5V; V_{IN} = 0V; T_J = -40^\circ C \dots 150^\circ C$ | 0 | | 1 | μA |
| | | $V_{CSD} = 0V; V_{IN} = 5V; T_J = -40^\circ C \dots 150^\circ C$ | 0 | | 2 | μA |
| | | $I_{OUT} = 2A; V_{SENSE} = 0V;$ $V_{CSD} = 5V; V_{IN} = 5V; T_J = -40^\circ C \dots 150^\circ C$ | 0 | | 1 | μA |
| I_{OL} | Openload on-state current detection threshold | $V_{IN} = 5V, I_{SENSE} = 5 \mu A$ | 10 | | 45 | mA |
| V_{SENSE} | Max analog sense output voltage | $I_{OUT} = 15A; V_{CSD} = 0V;$ | 5 | | | V |
| V_{SENSEH} | Analog sense output voltage in over temperature condition | $V_{CC} = 13V; R_{SENSE} = 3.9K\Omega$ | | 9 | | V |
| I_{SENSEH} | Analog sense output current in over temperature condition | $V_{CC} = 13V; V_{SENSE} = 5V$ | | 8 | | mA |
| $t_{DSENSE1H}$ | Delay response time from falling edge of CS_DIS pin | $V_{SENSE} < 4V, 1.5A < I_{OUT} < 25A$ $I_{SENSE} = 90\% \text{ of } I_{SENSE \text{ max}}$ (see Figure 4) | | 50 | 100 | μs |
| $t_{DSENSE1L}$ | Delay response time from rising edge of CS_DIS pin | $V_{SENSE} < 4V, 1.5A < I_{OUT} < 25A$ $I_{SENSE} = 10\% \text{ of } I_{SENSE \text{ max}}$ (see Figure 4) | | 5 | 20 | μs |
| $t_{DSENSE2H}$ | Delay response time from rising edge of INPUT pin | $V_{SENSE} < 4V, 1.5A < I_{OUT} < 25A$ $I_{SENSE} = 90\% \text{ of } I_{SENSE \text{ max}}$ (see Figure 4) | | 270 | 500 | μs |
| $\Delta t_{DSENSE2H}$ | Delay response time between rising edge of output current and rising edge of current sense | $V_{SENSE} < 4V,$ $I_{SENSE} = 90\% \text{ of } I_{SENSE \text{ MAX}},$ $I_{OUT} = 90\% \text{ of } I_{OUT \text{ MAX}}$ $I_{OUT \text{ MAX}} = 15A$ (see Figure 5) | | | 310 | μs |
| $t_{DSENSE2L}$ | Delay response time from falling edge of INPUT pin | $V_{SENSE} < 4V, 1.5A < I_{OUT} < 25A$ $I_{SENSE} = 10\% \text{ of } I_{SENSE \text{ max}}$ (see Figure 4) | | 100 | 250 | μs |

1. Parameter guaranteed by design; it is not tested.

Figure 4. Current sense delay characteristics

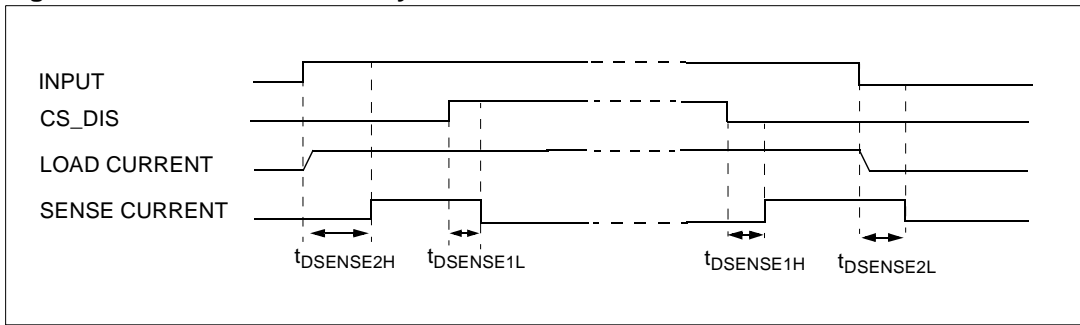


Figure 5. Delay response time between rising edge of output current and rising edge of Current Sense (CS enabled)

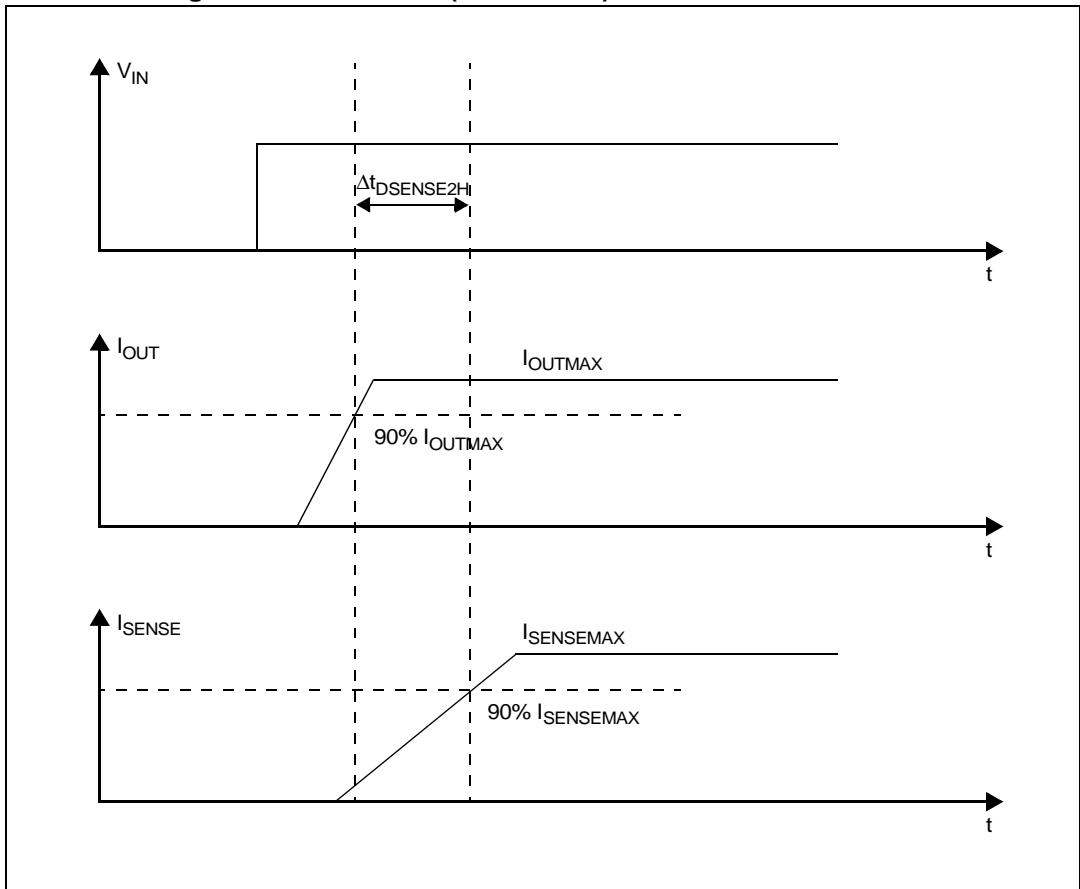


Figure 6. I_{OUT}/I_{SENSE} vs I_{OUT} (see Table 10 for details)

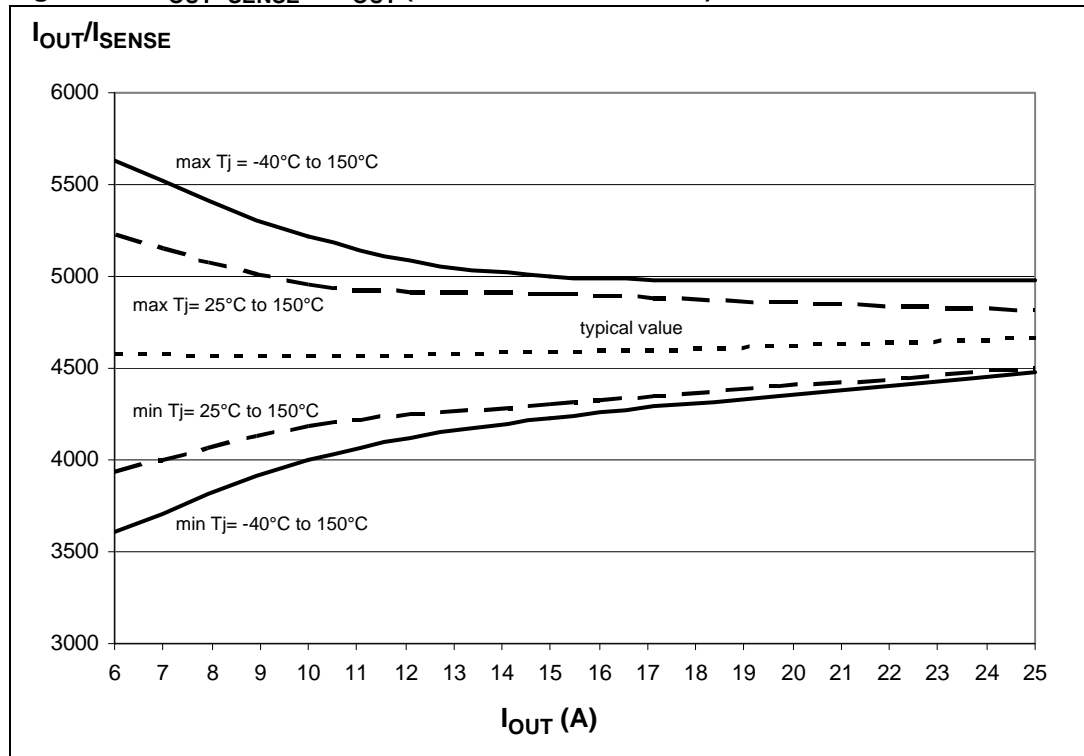
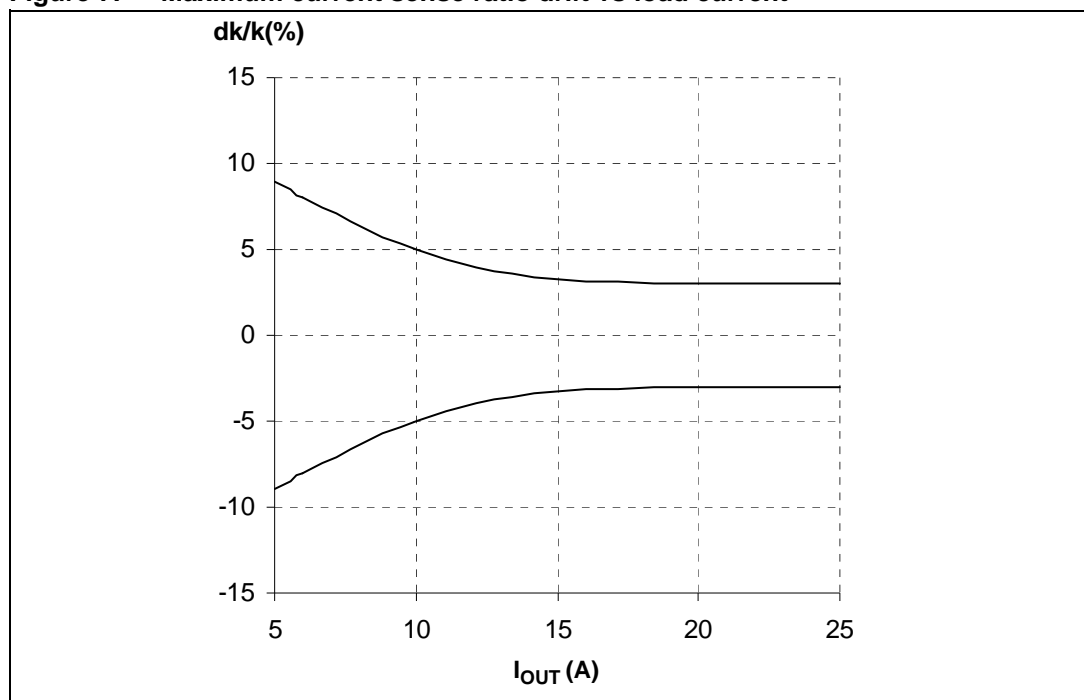


Figure 7. Maximum current sense ratio drift vs load current



Note: Parameter guaranteed by design; it is not tested.

Table 11. Truth table

| Conditions | Input | Output | Sense ($V_{CSD}=0V$) ⁽¹⁾ |
|---|-------|--------|---------------------------------------|
| Normal operation | L | L | 0 |
| | H | H | Nominal |
| Overtemperature | L | L | 0 |
| | H | L | V_{SENSEH} |
| Undervoltage | L | L | 0 |
| | H | L | 0 |
| Short circuit to GND ($R_{sc} \leq 10\text{ m}\Omega$) | L | L | 0 |
| | H | L | 0 if $T_j < T_{TSD}$ |
| | H | L | V_{SENSEH} if $T_j > T_{TSD}$ |
| Short circuit to V_{CC} | L | H | 0 |
| | H | H | < Nominal |
| Negative output voltage clamp | L | L | 0 |

1. If the V_{CSD} is high, the SENSE output is at a high impedance, its potential depends on leakage currents and external circuit.

Figure 8. Switching characteristics

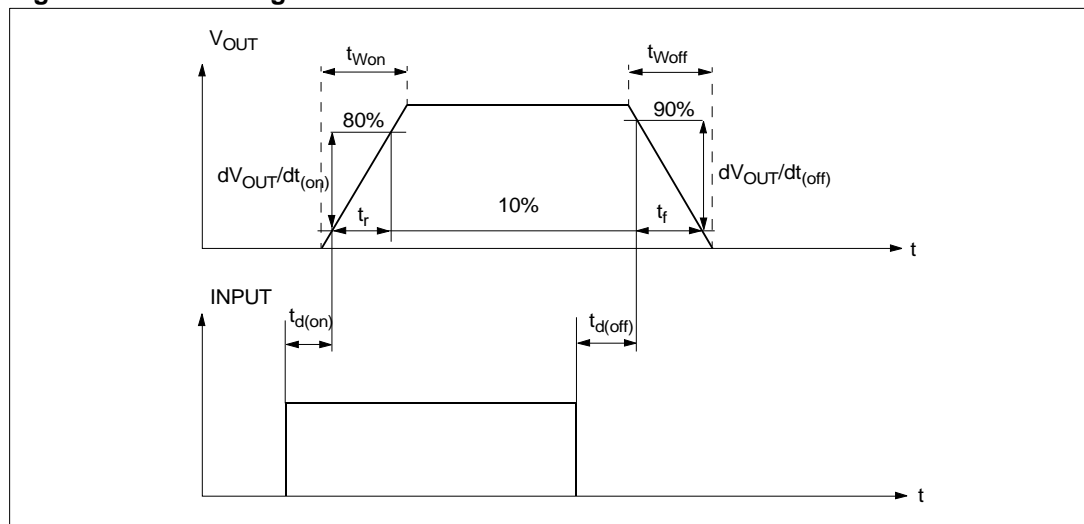


Figure 9. Output voltage drop limitation

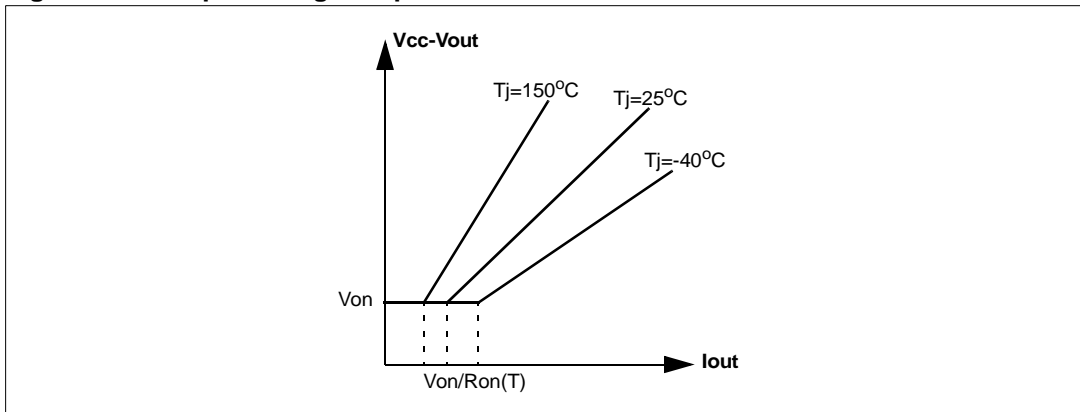


Table 12. Electrical transient requirements (part 1/3)

| ISO 7637-2: 2004(E) Test pulse | Test levels ⁽¹⁾ | | Number of pulses or test times | Burst cycle/pulse repetition time | | Delays and impedance |
|--------------------------------------|----------------------------|-------|--------------------------------------|--------------------------------------|--------|-------------------------|
| | III | IV | | | | |
| 1 | -75V | -100V | 5000 pulses | 0.5 s | 5 s | 2 ms, 10 Ω |
| 2a | +37V | +50V | 5000 pulses | 0.2 s | 5 s | 50 μs, 2 Ω |
| 3a | -100V | -150V | 1h | 90 ms | 100 ms | 0.1 μs, 50 Ω |
| 3b | +75V | +100V | 1h | 90 ms | 100 ms | 0.1 μs, 50 Ω |
| 4 | -6V | -7V | 1 pulse | | | 100 ms, 0.01Ω |
| 5b ⁽²⁾ | +65V | +87V | 1 pulse | | | 400 ms, 2 Ω |

Table 13. Electrical transient requirements (part 2/3)

| ISO 7637-2: 2004(E) Test pulse | Test level results ⁽¹⁾ | |
|--------------------------------------|-----------------------------------|----|
| | III | IV |
| 1 | C | C |
| 2a | C | C |
| 3a | C | C |
| 3b | C | C |
| 4 | C | C |
| 5b ⁽²⁾ | C | C |

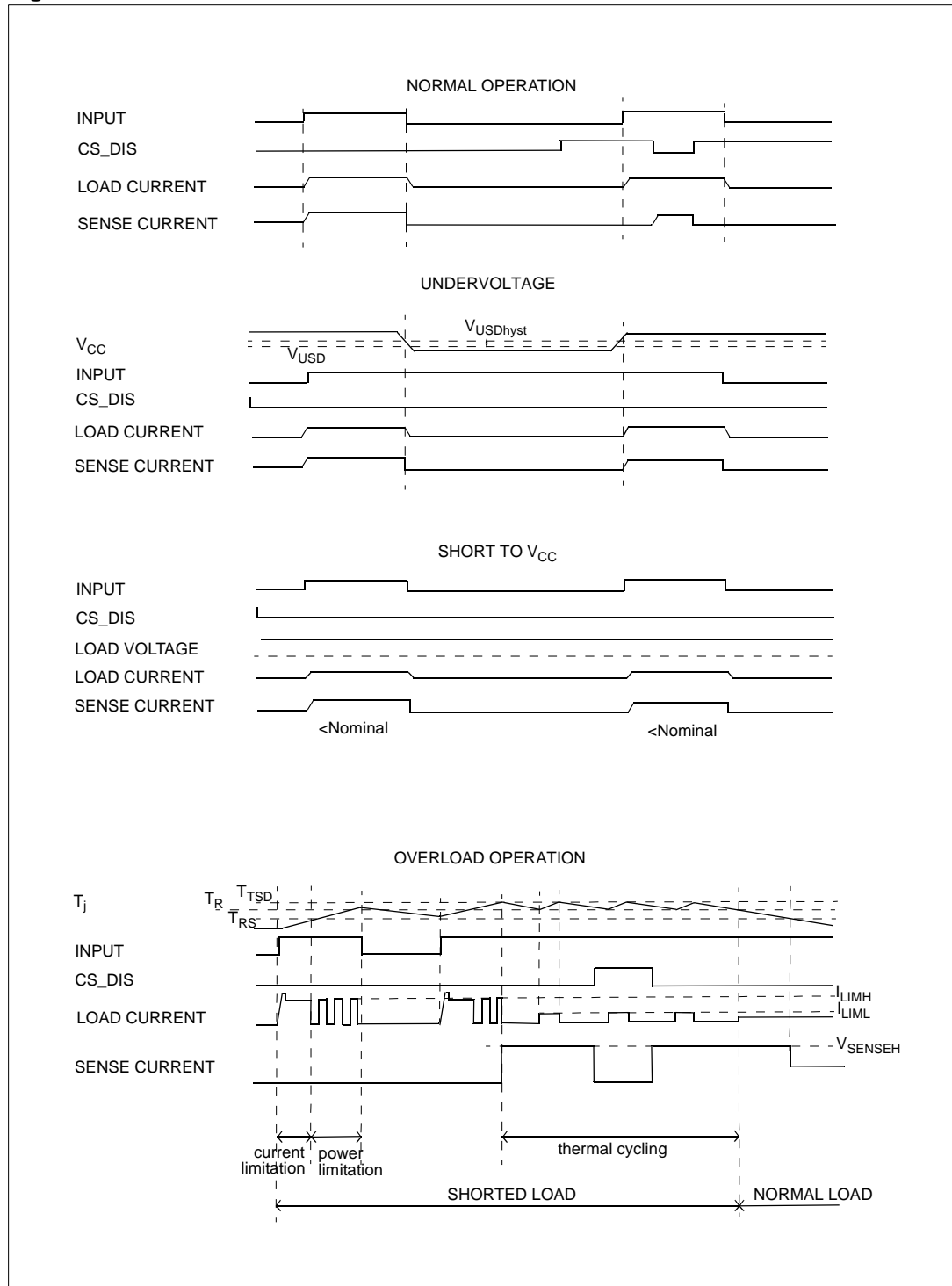
1. The above test levels must be considered referred to Vcc = 13.5V except for pulse 5b.

2. Valid in case of external load dump clamp: 40V maximum referred to ground.

Table 14. Electrical transient requirements (part 3/3)

| Class | Contents |
|-------|--|
| C | All functions of the device are performed as designed after exposure to disturbance. |
| E | One or more functions of the device are not performed as designed after exposure to disturbance and cannot be returned to proper operation without replacing the device. |

Figure 10. Waveforms



2.3 Electrical characteristics curves

Figure 11. Off-state output current

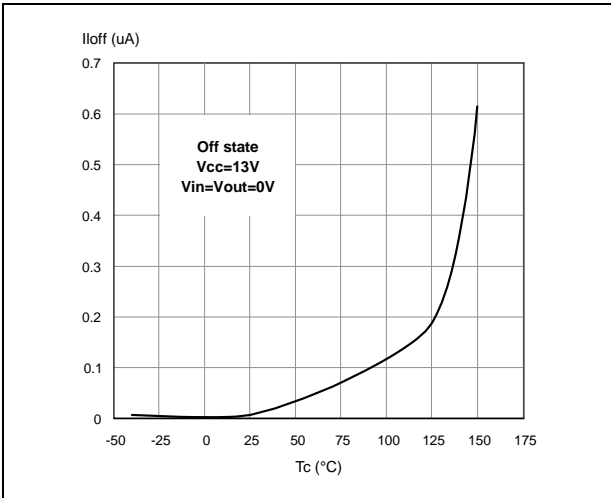


Figure 12. High level input current

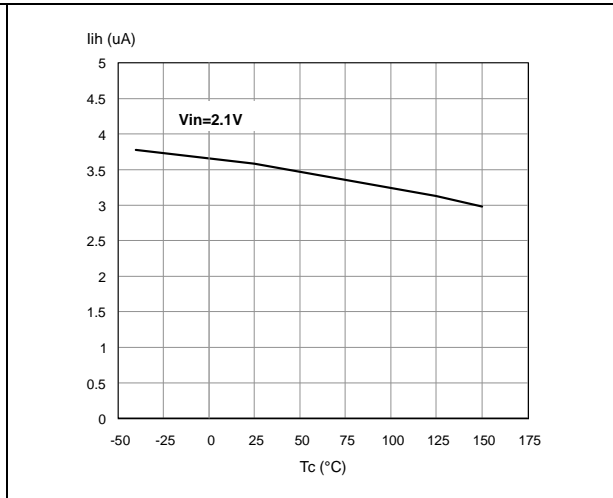


Figure 13. Input clamp voltage

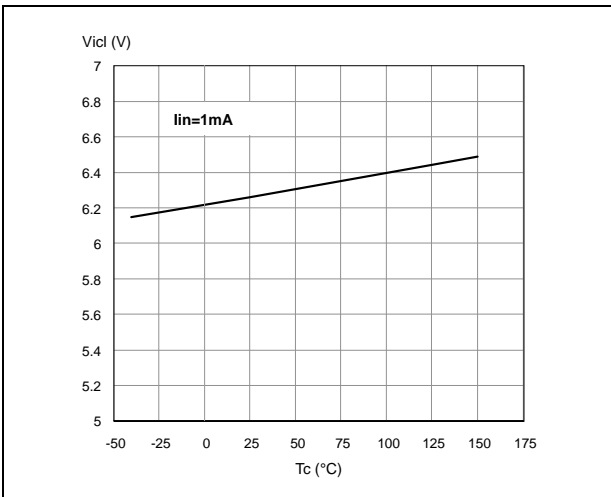


Figure 14. Input low level

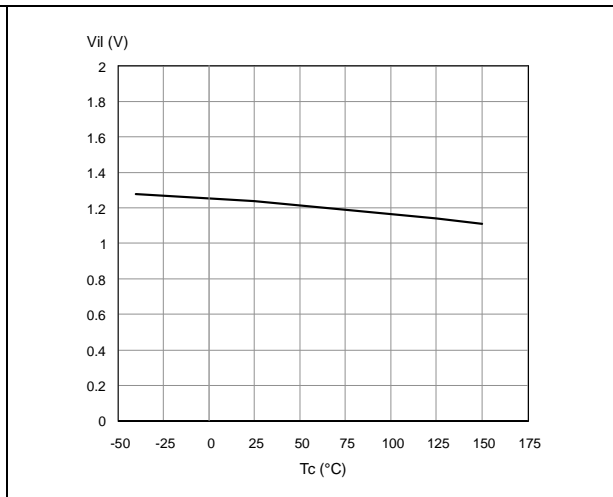


Figure 15. Input high level

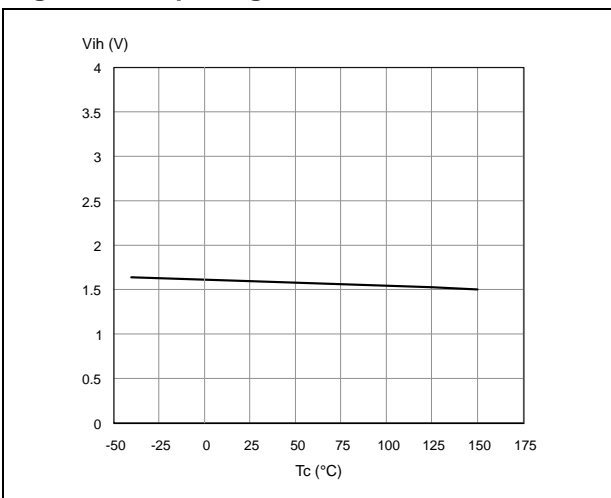


Figure 16. Input hysteresis voltage

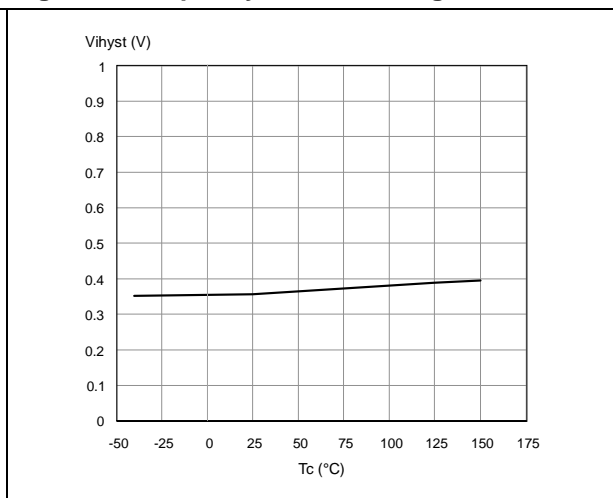


Figure 17. On-state resistance vs T_{case}

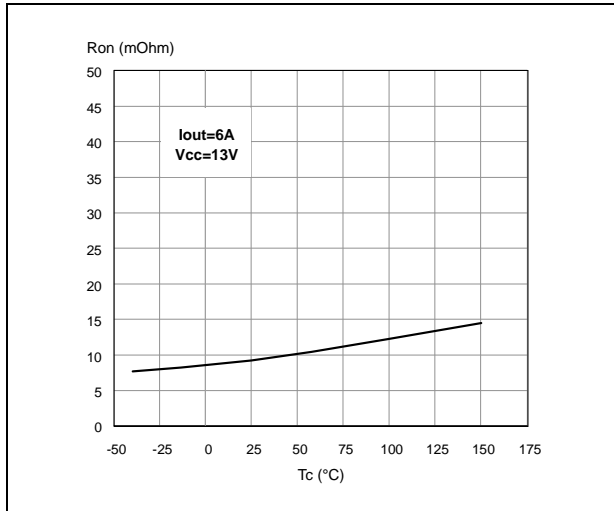


Figure 18. On-state resistance vs V_{CC}

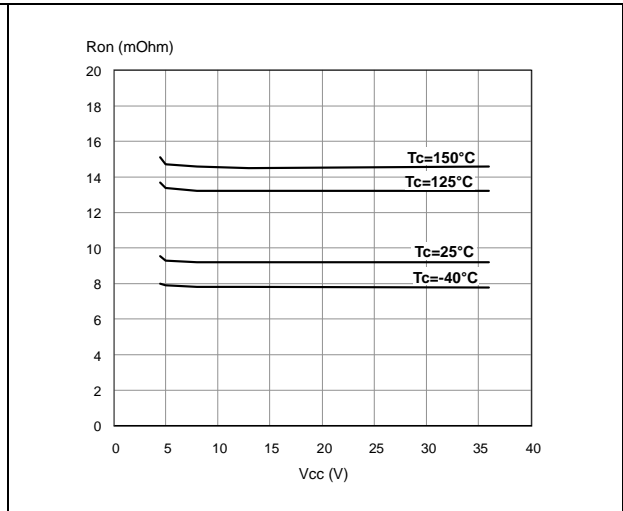


Figure 19. Undervoltage shutdown

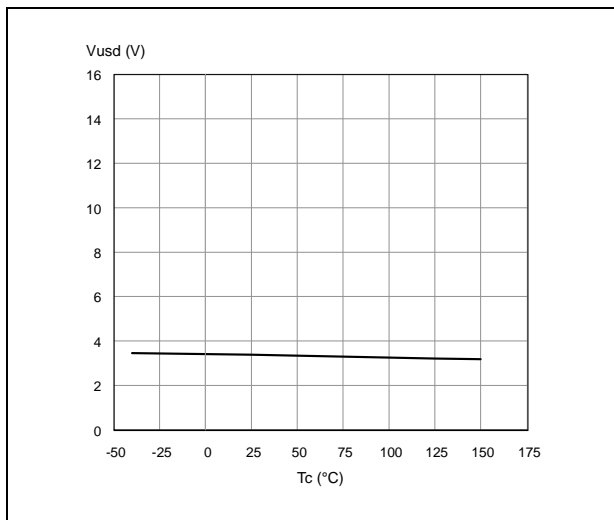


Figure 20. Turn-on voltage slope

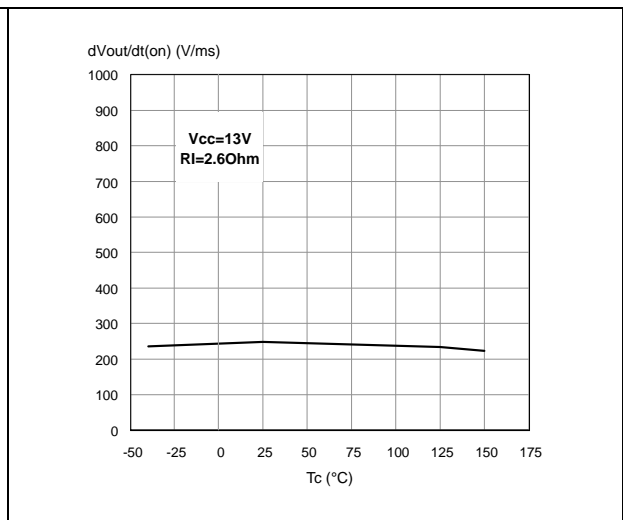


Figure 21. I_{LIMH} vs T_{case}

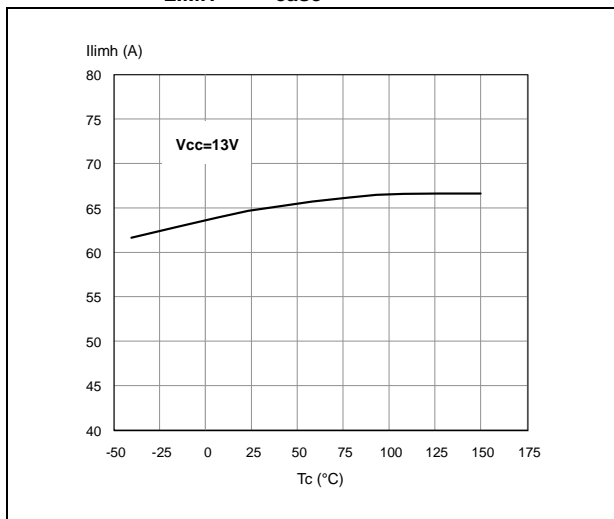


Figure 22. Turn-off voltage slope

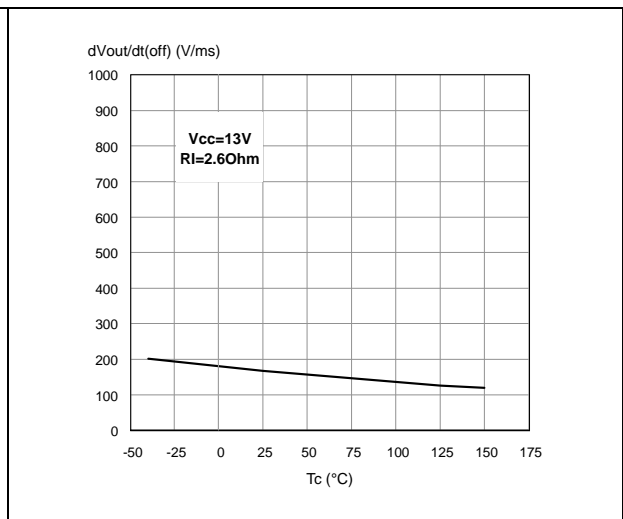


Figure 23. CS_DIS high level voltage

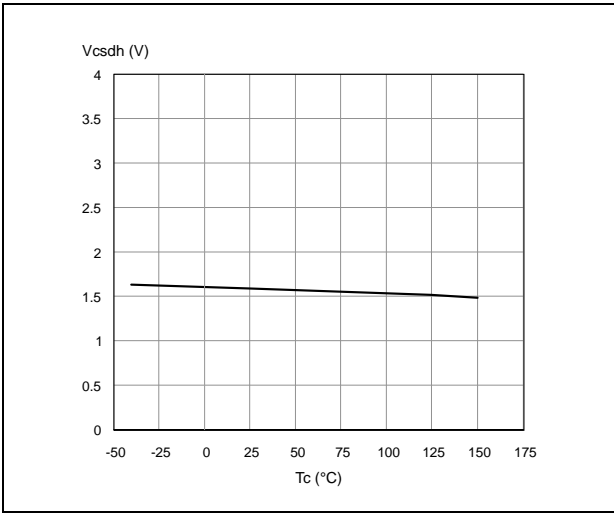


Figure 24. CS_DIS clamp voltage

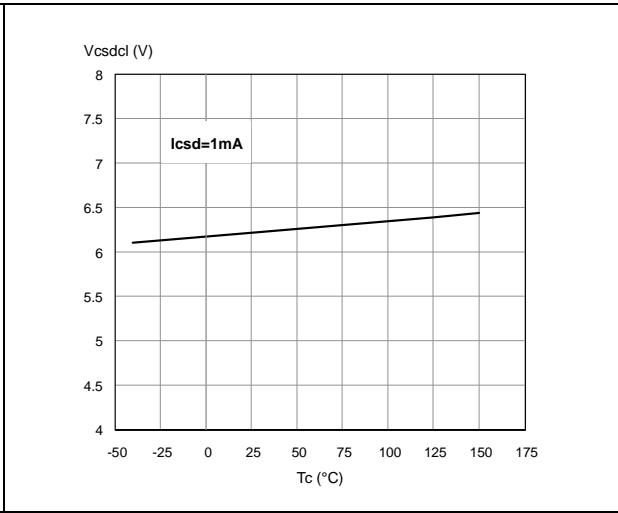
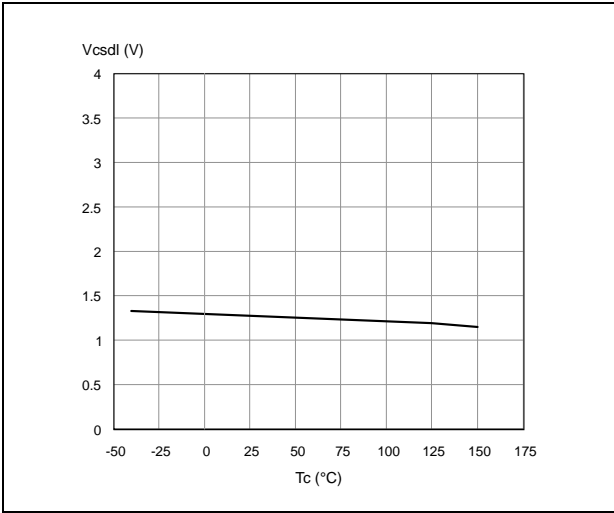
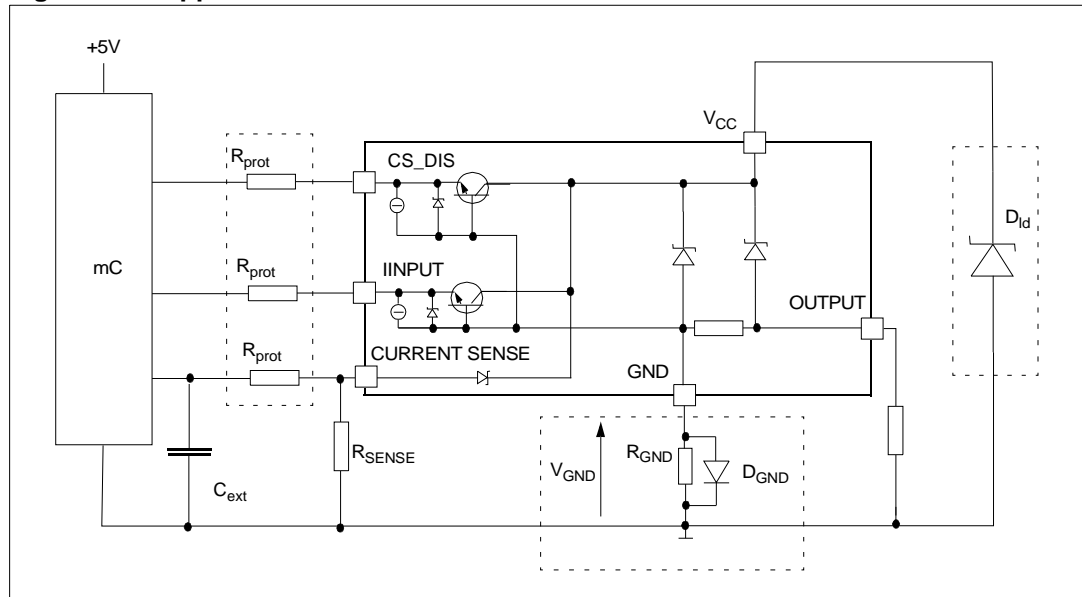


Figure 25. CS_DIS low level voltage



3 Application information

Figure 26. Application schematic



3.1 GND protection network against reverse battery

3.1.1 Solution 1: resistor in the ground line (R_{GND} only)

This can be used with any type of load.

The following is an indication on how to dimension the R_{GND} resistor.

1. $R_{GND} \leq 600 \text{ mV} / (I_{S(on)max})$.
2. $R_{GND} \geq (-V_{CC}) / (-I_{GND})$

where $-I_{GND}$ is the DC reverse ground pin current and can be found in the absolute maximum rating section of the device datasheet.

Power Dissipation in R_{GND} (when $V_{CC} < 0$: during reverse battery situations) is:

$$P_D = (-V_{CC})^2 / R_{GND}$$

This resistor can be shared amongst several different HSDs. Please note that the value of this resistor should be calculated with formula (1) where $I_{S(on)max}$ becomes the sum of the maximum on-state currents of the different devices.

Please note that if the microprocessor ground is not shared by the device ground then the R_{GND} will produce a shift ($I_{S(on)max} * R_{GND}$) in the input thresholds and the status output values. This shift will vary depending on how many devices are ON in the case of several high side drivers sharing the same R_{GND} .

If the calculated power dissipation leads to a large resistor or several devices have to share the same resistor then ST suggests to utilize Solution 2 (see below).

3.1.2 Solution 2: diode (D_{GND}) in the ground line

A resistor ($R_{GND}=1\text{ k}\Omega$) should be inserted in parallel to D_{GND} if the device drives an inductive load.

This small signal diode can be safely shared amongst several different HSDs. Also in this case, the presence of the ground network will produce a shift ($\approx 600\text{ mV}$) in the input threshold and in the status output values if the microprocessor ground is not common to the device ground. This shift will not vary if more than one HSD shares the same diode/resistor network.

3.2 Load dump protection

D_{ld} is necessary (voltage transient suppressor) if the load dump peak voltage exceeds the V_{CC} max DC rating. The same applies if the device is subject to transients on the V_{CC} line that are greater than the ones shown in the ISO 7637-2: 2004(E) table.

3.3 Microcontroller I/Os protection

If a ground protection network is used and negative transient are present on the V_{CC} line, the control pins will be pulled negative. ST suggests to insert a resistor (R_{prot}) in line to prevent the microcontroller I/Os pins to latch-up.

The value of these resistors is a compromise between the leakage current of microcontroller and the current required by the HSD I/Os (Input levels compatibility) with the latch-up limit of microcontroller I/Os.

$$-V_{CCpeak}/I_{latchup} \leq R_{prot} \leq (V_{OH\mu C} - V_{IH} - V_{GND}) / I_{IHmax}$$

Calculation example:

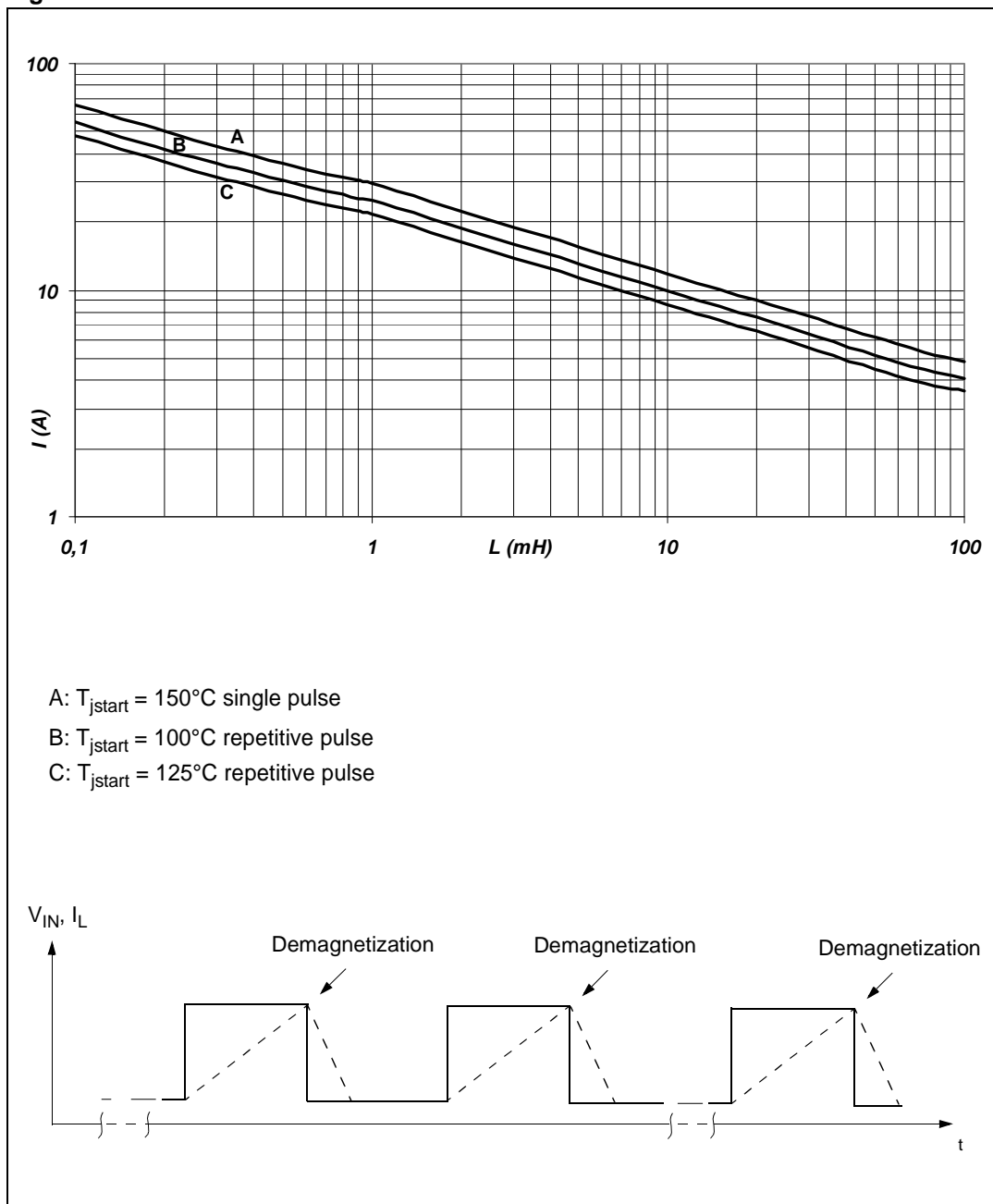
For $V_{CCpeak} = -100\text{ V}$ and $I_{latchup} \geq 20\text{ mA}$; $V_{OH\mu C} \geq 4.5\text{ V}$

$$5\text{ k}\Omega \leq R_{prot} \leq 180\text{ k}\Omega$$

Recommended values: $R_{prot} = 10\text{ k}\Omega$, $C_{EXT} = 10\text{ nF}$.

3.4 Maximum demagnetization energy ($V_{CC}=13.5V$)

Figure 27. Maximum turn-off current versus load inductance

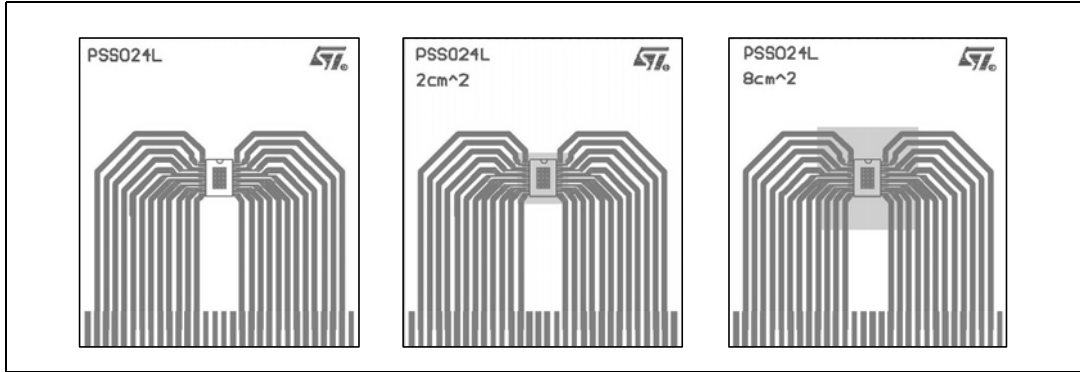


Note: Values are generated with $R_L=0 \Omega$.
 In case of repetitive pulses, T_{jstart} (at beginning of each demagnetization) of every pulse must not exceed the temperature specified above for curves B and C.

4 Package and PCB thermal data

4.1 PowerSSO-24™ thermal data

Figure 28. PowerSSO-24™ PC board



Note: Layout condition of R_{th} and Z_{th} measurements (PCB: Double layer, Thermal Vias, FR4 area= 77 mm x 86 mm, PCB thickness=1.6mm, Cu thickness=70 μ m (front and back side), Copper areas: from minimum pad lay-out to 8 cm²).

Figure 29. $R_{thj-amb}$ vs PCB copper area in open box free air condition

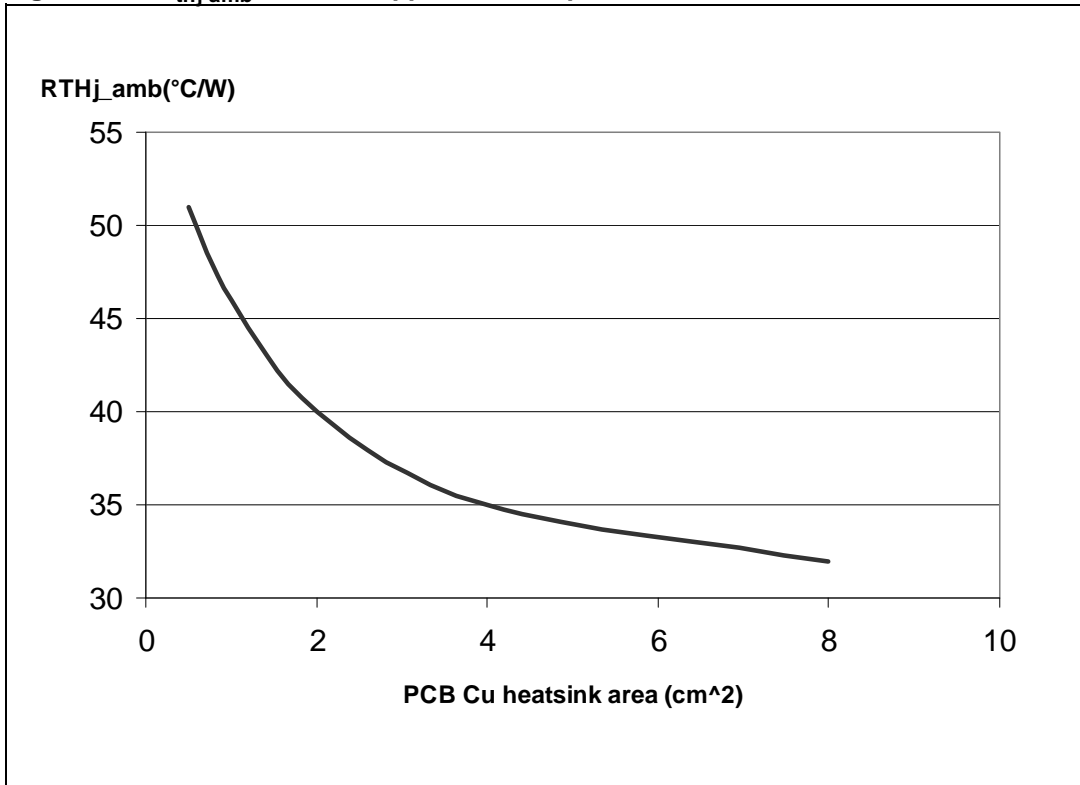
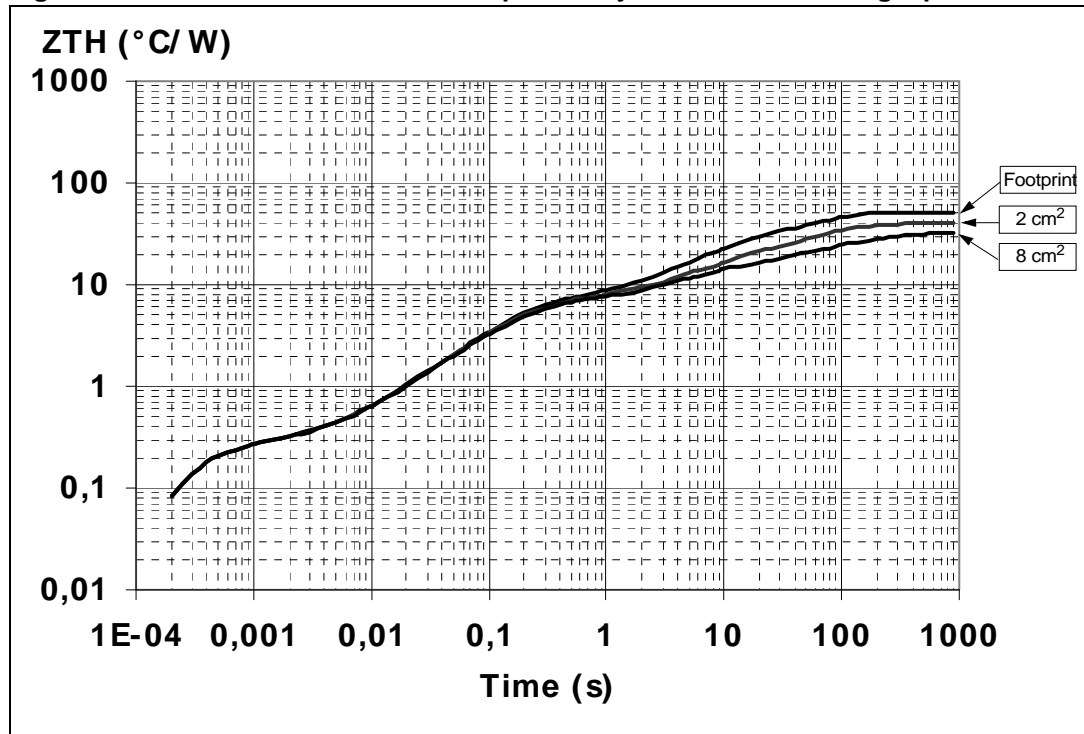


Figure 30. PowerSSO-24™ thermal impedance junction ambient single pulse

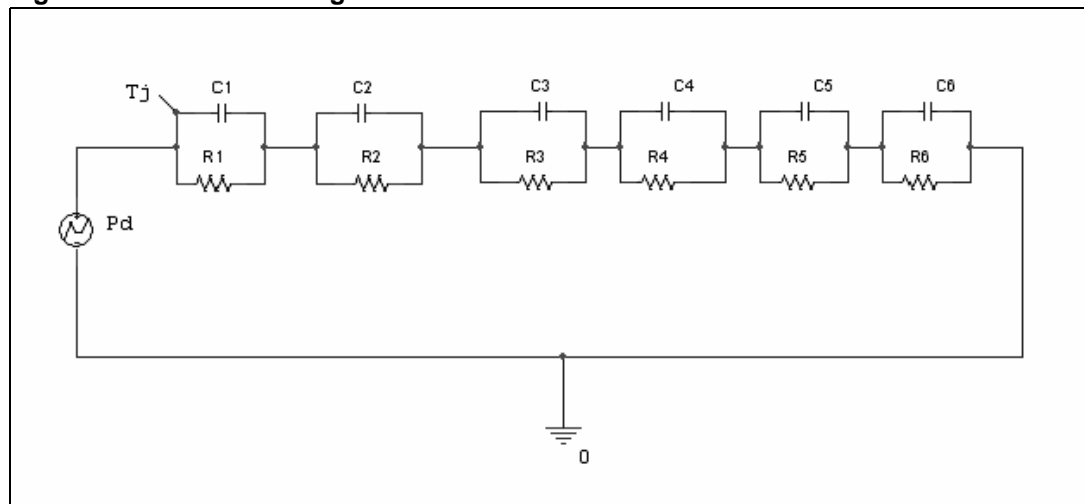


Equation 1: pulse calculation formula

$$Z_{TH\delta} = R_{TH} \cdot \delta + Z_{THtp}(1 - \delta)$$

where $\delta = t_p/T$

Figure 31. Thermal fitting model of a double channel HSD in PowerSSO-24™(a)



- a. The fitting model is a simplified thermal tool and is valid for transient evolutions where the embedded protections (power limitation or thermal cycling during thermal shutdown) are not triggered.

Table 15. Thermal parameters

| Area/island (cm ²) | Footprint | 2 | 8 |
|--------------------------------|-----------|----|----|
| R1 (°C/W) | 0.08 | | |
| R2 (°C/W) | 0.16 | | |
| R3 (°C/W) | 6 | | |
| R4 (°C/W) | 7.7 | | |
| R5 (°C/W) | 9 | 9 | 8 |
| R6 (°C/W) | 28 | 17 | 10 |
| C1 (W.s/°C) | 0.002 | | |
| C2 (W.s/°C) | 0.002 | | |
| C3 (W.s/°C) | 0.025 | | |
| C4 (W.s/°C) | 0.75 | | |
| C5 (W.s/°C) | 1 | 4 | 9 |
| C6 (W.s/°C) | 2.2 | 5 | 17 |

5 Package and packing information

5.1 ECOPACK[®] packages

In order to meet environmental requirements, ST offers these devices in different grades of ECOPACK[®] packages, depending on their level of environmental compliance. ECOPACK[®] specifications, grade definitions and product status are available at: www.st.com.

ECOPACK[®] is an ST trademark.

Figure 32. PowerSSO-24[™] package dimensions

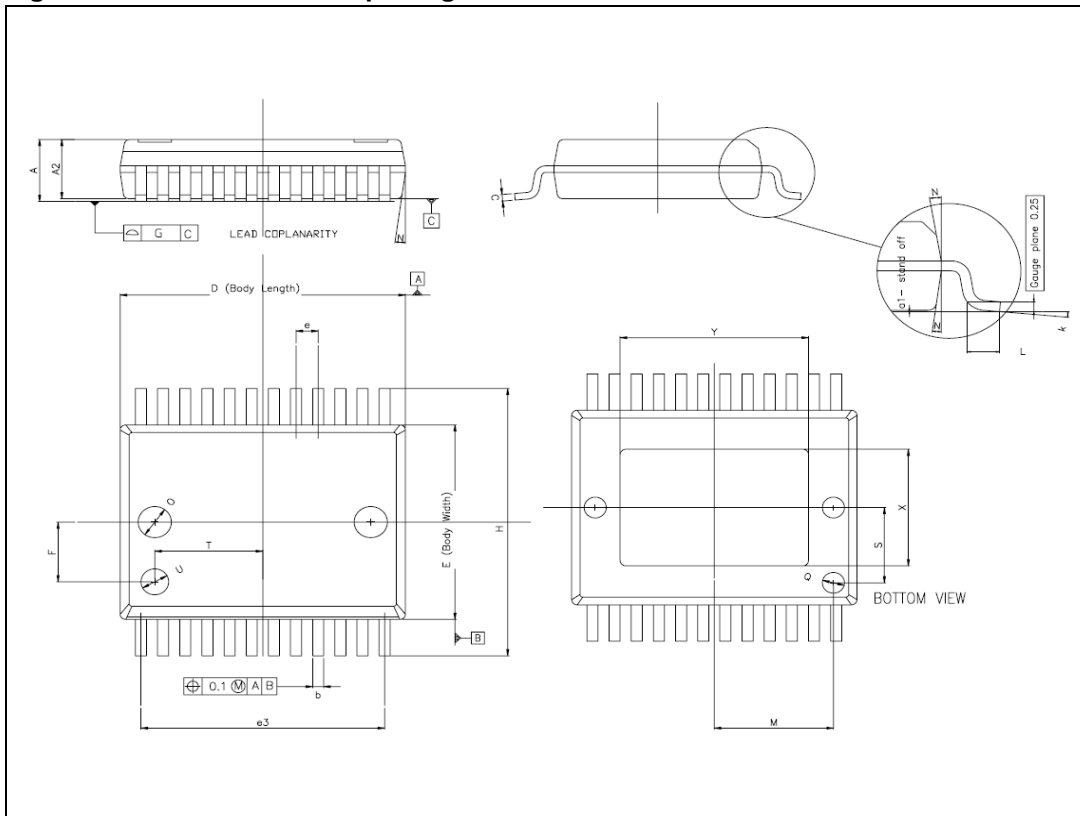


Table 16. PowerSSO-24™ mechanical data

| Symbol | Millimeters | | |
|--------|-------------|------|-------|
| | Min. | Typ. | Max. |
| A | | | 2.45 |
| A2 | 2.15 | | 2.35 |
| a1 | 0 | | 0.1 |
| b | 0.33 | | 0.51 |
| c | 0.23 | | 0.32 |
| D | 10.10 | | 10.50 |
| E | 7.4 | | 7.6 |
| e | | 0.8 | |
| e3 | | 8.8 | |
| F | | 2.3 | |
| G | | | 0.1 |
| H | 10.1 | | 10.5 |
| h | | | 0.4 |
| k | 0° | | 8° |
| L | 0.55 | | 0.85 |
| O | | 1.2 | |
| Q | | 0.8 | |
| S | | 2.9 | |
| T | | 3.65 | |
| U | | 1.0 | |
| N | | | 10deg |
| X | 4.1 | | 4.7 |
| Y | 6.5 | | 7.1 |

5.2 Packing information

Figure 33. PowerSSO-24™ tube shipment (no suffix)

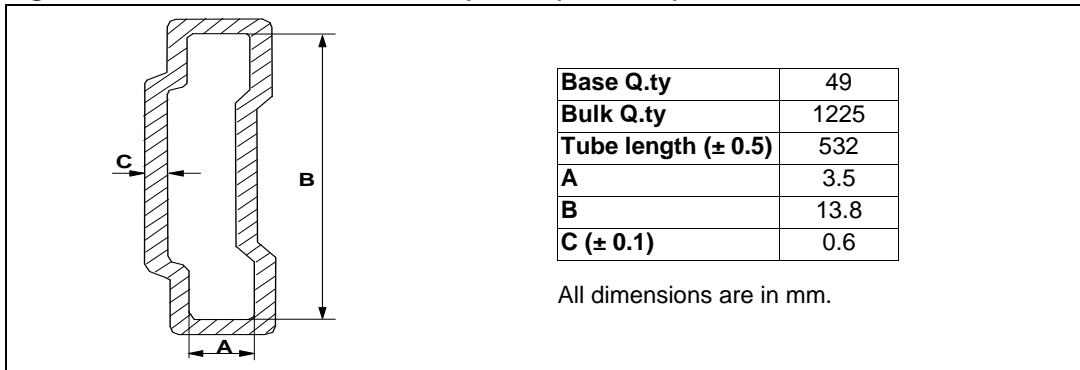
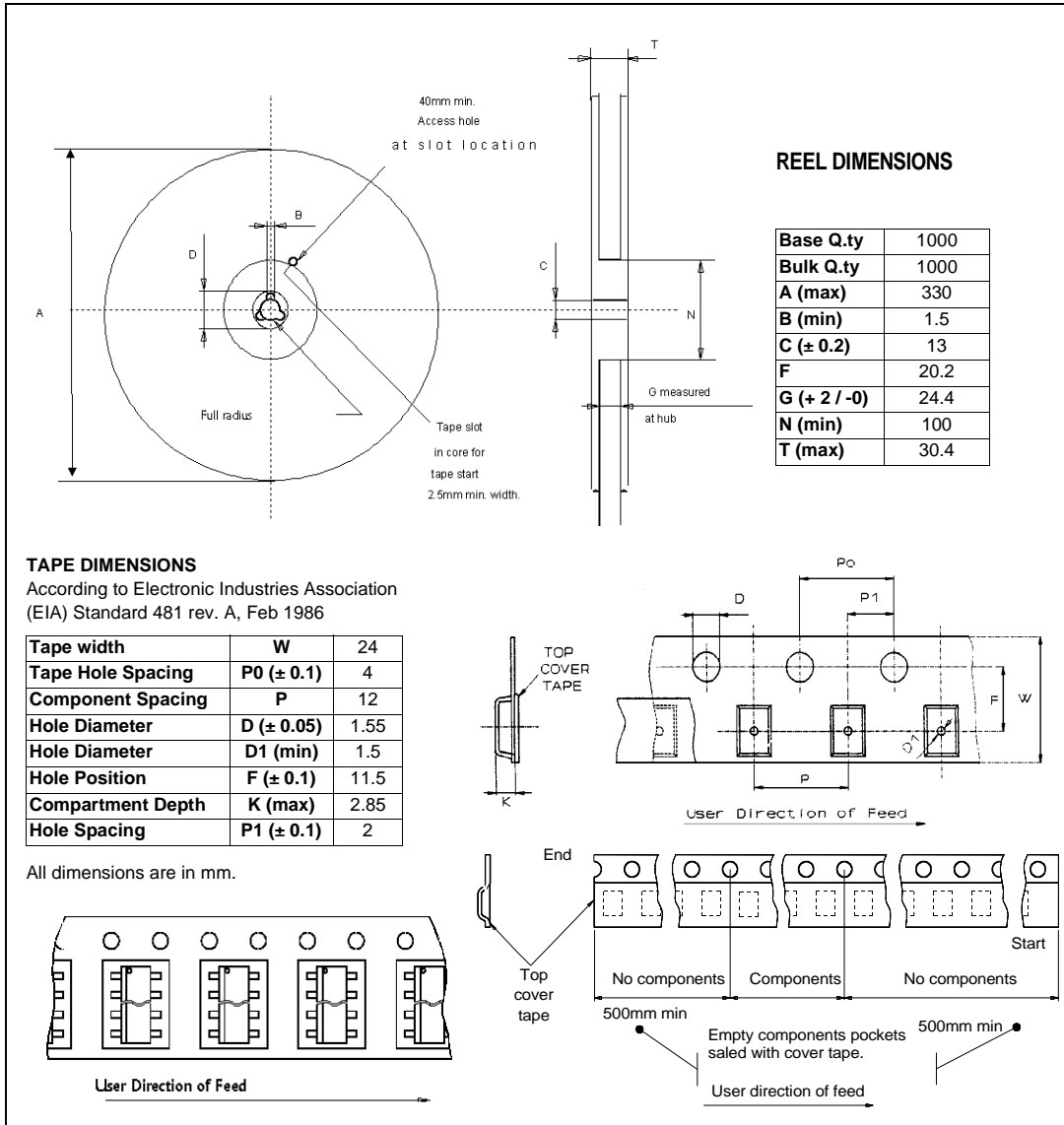


Figure 34. PowerSSO-24™ tape and reel shipment (suffix “TR”)



6 Revision history

Table 17. Document revision history

| Date | Revision | Changes |
|-------------|----------|---|
| 24-Jan-2006 | 1 | Initial release. |
| 09-Feb-2007 | 2 | Reformatted and restructured. Added Contents, List of tables and List of figures. Added Section 3.4: Maximum demagnetization energy (VCC=13.5V) . |
| 13-Dec-2007 | 3 | Document reformatted and restructured. Table 4: Absolute maximum ratings : corrected E_{MAX} value from 506 to 609 mJ. Updated Table 10: Current sense (8V<VCC<16V) : – Changed $t_{DSENSE2H}$ max value from 600 to 500 μ s. – Added dk1/k1, dk2/k2, dk3/k3, $\Delta t_{DSENSE2H}$, I_{OL} parameters. Added Figure 5: Delay response time between rising edge of output current and rising edge of Current Sense (CS enabled) . Updated Figure 6: IOUT/ISENSE vs IOUT (see Table 10 for details) . Added Figure 7: Maximum current sense ratio drift vs load current . Table 12: Electrical transient requirements (part 1/3) : updated test level values III and IV for test pulse 5b and notes. Figure 31: Thermal fitting model of a double channel HSD in PowerSSO-24TM : added note. |
| 12-Feb-2008 | 4 | Corrected typing error in Table 10: Current sense (8V<VCC<16V) : changed I_{OL} test condition from $V_{IN} = 0V$ to $V_{IN} = 5V$. |
| 16-Jun-2009 | 5 | Table 16: PowerSSO-24TM mechanical data : – Deleted A (min) value – Changed A (max) value from 2.47 to 2.45 – Changed A2 (max) value from 2.40 to 2.35 – Changed a1 (max) value from 0.075 to 0.1 – Added F and k rows |
| 16-Jul-2009 | 6 | Updated Figure 32: PowerSSO-24TM package dimensions . Table 16: PowerSSO-24TM mechanical data : – Deleted G1 row – Added O, Q, S, T and U rows |
| 23-Sep-2013 | 7 | Updated Disclaimer. |

Please Read Carefully:

Information in this document is provided solely in connection with ST products. STMicroelectronics NV and its subsidiaries ("ST") reserve the right to make changes, corrections, modifications or improvements, to this document, and the products and services described herein at any time, without notice.

All ST products are sold pursuant to ST's terms and conditions of sale.

Purchasers are solely responsible for the choice, selection and use of the ST products and services described herein, and ST assumes no liability whatsoever relating to the choice, selection or use of the ST products and services described herein.

No license, express or implied, by estoppel or otherwise, to any intellectual property rights is granted under this document. If any part of this document refers to any third party products or services it shall not be deemed a license grant by ST for the use of such third party products or services, or any intellectual property contained therein or considered as a warranty covering the use in any manner whatsoever of such third party products or services or any intellectual property contained therein.

UNLESS OTHERWISE SET FORTH IN ST'S TERMS AND CONDITIONS OF SALE ST DISCLAIMS ANY EXPRESS OR IMPLIED WARRANTY WITH RESPECT TO THE USE AND/OR SALE OF ST PRODUCTS INCLUDING WITHOUT LIMITATION IMPLIED WARRANTIES OF MERCHANTABILITY, FITNESS FOR A PARTICULAR PURPOSE (AND THEIR EQUIVALENTS UNDER THE LAWS OF ANY JURISDICTION), OR INFRINGEMENT OF ANY PATENT, COPYRIGHT OR OTHER INTELLECTUAL PROPERTY RIGHT.

ST PRODUCTS ARE NOT DESIGNED OR AUTHORIZED FOR USE IN: (A) SAFETY CRITICAL APPLICATIONS SUCH AS LIFE SUPPORTING, ACTIVE IMPLANTED DEVICES OR SYSTEMS WITH PRODUCT FUNCTIONAL SAFETY REQUIREMENTS; (B) AERONAUTIC APPLICATIONS; (C) AUTOMOTIVE APPLICATIONS OR ENVIRONMENTS, AND/OR (D) AEROSPACE APPLICATIONS OR ENVIRONMENTS. WHERE ST PRODUCTS ARE NOT DESIGNED FOR SUCH USE, THE PURCHASER SHALL USE PRODUCTS AT PURCHASER'S SOLE RISK, EVEN IF ST HAS BEEN INFORMED IN WRITING OF SUCH USAGE, UNLESS A PRODUCT IS EXPRESSLY DESIGNATED BY ST AS BEING INTENDED FOR "AUTOMOTIVE, AUTOMOTIVE SAFETY OR MEDICAL" INDUSTRY DOMAINS ACCORDING TO ST PRODUCT DESIGN SPECIFICATIONS. PRODUCTS FORMALLY ESCC, QML OR JAN QUALIFIED ARE DEEMED SUITABLE FOR USE IN AEROSPACE BY THE CORRESPONDING GOVERNMENTAL AGENCY.

Resale of ST products with provisions different from the statements and/or technical features set forth in this document shall immediately void any warranty granted by ST for the ST product or service described herein and shall not create or extend in any manner whatsoever, any liability of ST.

ST and the ST logo are trademarks or registered trademarks of ST in various countries.

Information in this document supersedes and replaces all information previously supplied.

The ST logo is a registered trademark of STMicroelectronics. All other names are the property of their respective owners.

© 2013 STMicroelectronics - All rights reserved

STMicroelectronics group of companies

Australia - Belgium - Brazil - Canada - China - Czech Republic - Finland - France - Germany - Hong Kong - India - Israel - Italy - Japan - Malaysia - Malta - Morocco - Philippines - Singapore - Spain - Sweden - Switzerland - United Kingdom - United States of America

www.st.com

Mouser Electronics

Authorized Distributor

Click to View Pricing, Inventory, Delivery & Lifecycle Information:

[STMicroelectronics:](#)

[VN5010AK-E](#) [VN5010AKTR-E](#)