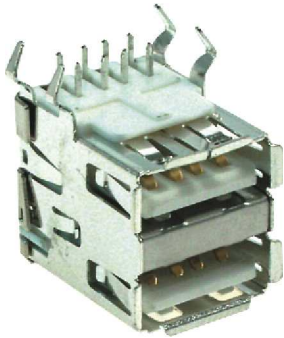


Ninigi

D A T A S H E E T

U S B P C B R I G H T A N G L E S O C K E T



USBA-2G-x

Contact Plating:

none - Selective Gold

T - Tin

G - Gold Flash

D - Gold 30 U"

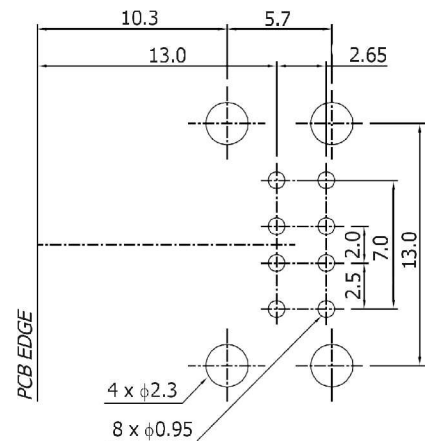
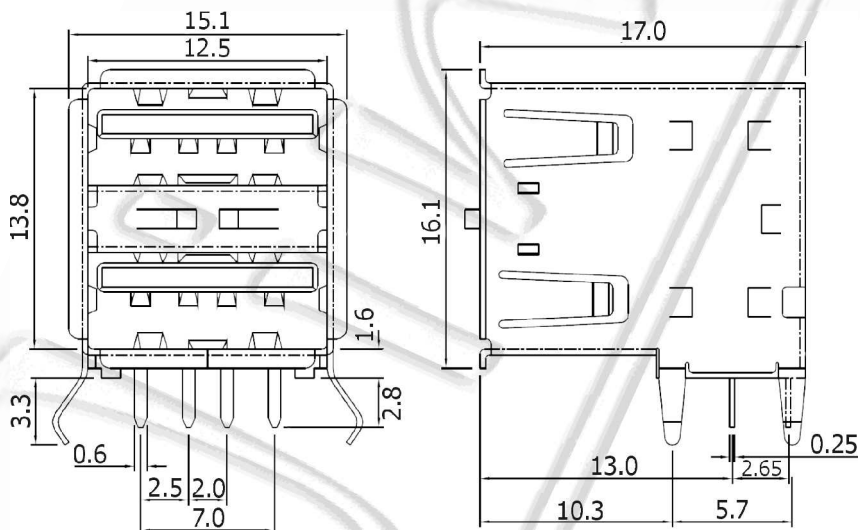
Contact Type:

G - Male

F - Female

Double Socket**Function:**

A - A Type

USB PCB Right Angle Socket

PCB Layout (bottom view)