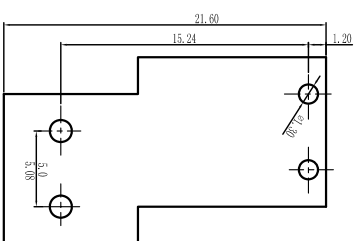
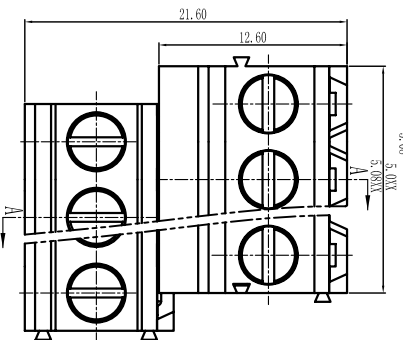
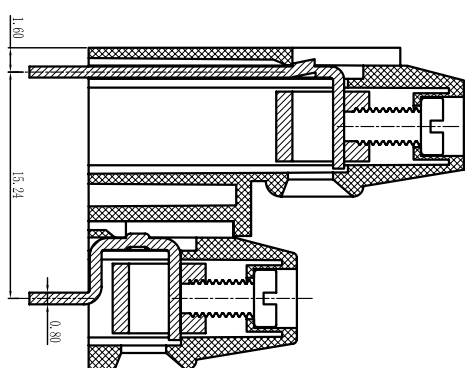
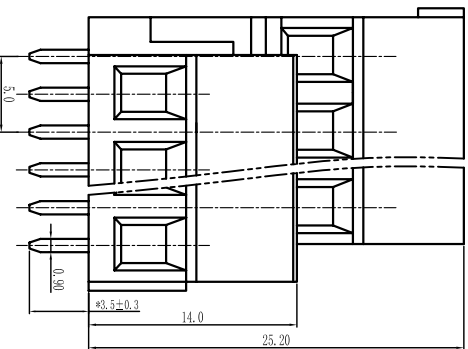




# 慈溪市万捷电子有限公司

## CIXI WANJIE ELECTRONIC CO., LTD

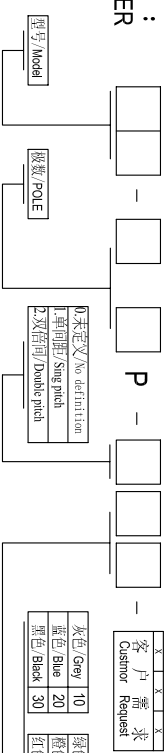
产品规格书  
Product specification



TOLERANCES EXCEPT AS NOTED

	linear dimension	fillet	chamfer	short angle sid					
variable range	over 6 to 30	over 120 to 480	all to 6	over 6 to 10	over 10 to 50	over 120 to 120	all to 5	over 5 to 30	over 30 to 120
tolerance	±0.1 to ±0.2	±0.3 to ±0.5	±0.2 to ±0.5	±1 to 1°	30° to 20°	10° to 10°	0.5 to 0.025	0.06 to 0.12	0.4 to 0.4

订购方式：  
HOW TO ORDER



灰色/Grey	10	绿色/Green	40	透明/Transparent	70
蓝色/Blue	20	橙色/Orange	50	黄色/Yellow	80
黑色/Black	30	红色/Red	60	白色/White	90

### 电气性能/Electrical

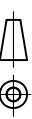
参考标准/Standard: UL IBC  
 额定电压/Rated voltage: 300V 250V  
 额定电流/Rated current: 15A 18A  
 接触电阻/Contact resistance: 20m $\Omega$   
 使用线径/Wire range: 30-14AWG 2.5mm<sup>2</sup>  
 耐电压/Withstanding voltage: AC2000V/1Min  
 绝缘电阻/Insulation resistance: 500M $\Omega$ /DC500V  
 机械性能/Mechanical

### 尺寸/Dimensions

间距/Pitch: 5.0mm, 5.08mm  
 极数/Poles: 2P-24P  
 材质及电镀/Material  
 塑件/Housing: PA66, UL94V-0  
 螺丝/Screws: M2.5, steel Zinc plated  
 方块/Cage: Brass, Ni plated  
 焊脚/Pin header: Brass, Snle plated

单位/UNITS mm 尺寸/SIZE A4 比例/SCALE 比例

第一视角/FIRST ANGLE PROJECTION



慈溪市万捷电子有限公司  
CIXI WANJIE ELECTRONIC CO., LTD

名称/NAME WJDK300A/508A-XR-1Y-00A